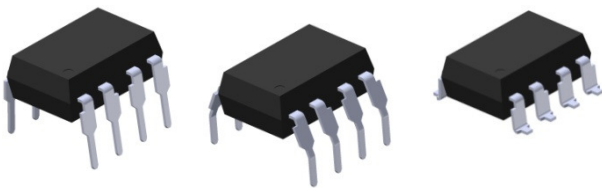


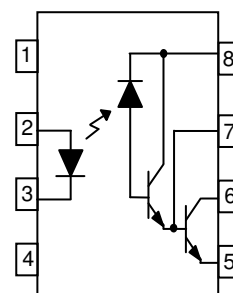
## 8 PIN DIP LOW INPUT CURRENT HIGH GAIN SPLIT DARLINGTON PHOTOCOUPLER 6N138 6N139



### Features

- High current transfer ratio—2000% typical
- High isolation voltage between input and output (Viso=5000 Vrms )
- Guaranteed performance from 0°C to 70 °C
- Pb free and RoHS compliant.
- UL approved (No. 214129)
- VDE approved (No. 132249)
- SEMKO approved
- NEMKO approved
- DEMKO approved
- FIMKO approved
- CSA approved (No. 2037145)

### Schematic



### Pin Configuration

1. No Connection
2. Anode
3. Cathode
4. No Connection
5. Gnd
6. Vout
7.  $V_B$
8. Vcc

### Description

The 6N138 and 6N139 devices each consists of an infrared emitting diode, optically coupled to a high gain split Darlington photo detector. They provide extremely high current transfer ratio between input and output, with access to a base terminal to adjust the gain bandwidth. These devices are packaged in an 8-pin DIP package and available in wide-lead spacing and SMD options.

### Applications

- Digital logic ground isolation
- RS-232C line receiver
- Low input current line receiver
- Microprocessor bus isolation
- Current loop receiver

**Absolute Maximum Ratings (Ta=25°C)**

	Parameter	Symbol	Rating	Unit
Input	Forward current	$I_F$	20	mA
	Peak forward current (50% duty, 1ms P.W)	$I_{FP}$	40	mA
	Peak transient current ( $\leq 1\mu s$ P.W,300pps)	$I_{Ftrans}$	1	A
	Reverse voltage	$V_R$	5	V
	Power dissipation	$P_{IN}$	45	mW
Output	Power dissipation	$P_O$	100	mW
	Output current	$I_O$	60	mA
	Emitter-Base Reverse Voltage	$V_{ER}$	0.5	V
	Output voltage	$V_O$	-0.5 to 7 -0.5 to 18	V
	Supply voltage	$V_{CC}$	-0.5 to 7 -0.5 to 18	V
	Isolation voltage <sup>*1</sup>	$V_{ISO}$	5000	V rms
Operating temperature	$T_{OPR}$	-40 ~ +85	°C	
Storage Temperature	$T_{STG}$	-55 ~ +125	°C	
Soldering temperature <sup>*2</sup>	$T_{SOL}$	260	°C	

Notes:

\*1 AC for 1 minute, R.H.= 40 ~ 60% R.H. In this test, pins 1, 2, 3, 4 are shorted together, and pins 5, 6, 7, 8 are shorted together.

\*2 For 10 seconds

**Electrical Characteristics (T<sub>A</sub>=0 to 70°C unless specified otherwise)**

**Input**

Parameter	Symbol	Min.	Typ.	Max.	Unit	Condition
Forward voltage	V <sub>F</sub>	-	1.3	1.7	V	I <sub>F</sub> = 1.6mA
Reverse Voltage	V <sub>R</sub>	5.0	-	-	V	I <sub>R</sub> = 10μA, T <sub>A</sub> =25°C
Temperature coefficient of forward voltage	ΔV <sub>F</sub> /ΔT <sub>A</sub>	-	-1.8	-	mV/°C	I <sub>F</sub> =1.6mA

**Output**

Parameter	Symbol	Min	Typ.	Max.	Unit	Condition	
Logic High Output Current	<u>6N138</u> 6N139	I <sub>OH</sub>	-	0.01	100	μA	I <sub>F</sub> =0mA, V <sub>O</sub> =V <sub>CC</sub> =18V
Logic Low Supply Current	6N138 <u>6N139</u>	I <sub>CCL</sub>	-	0.6	1.5	mA	I <sub>F</sub> =1.6mA, V <sub>O</sub> =Open, V <sub>CC</sub> =18V
Logic High Supply Current	6N138 <u>6N139</u>	I <sub>CCH</sub>	-	0.05	10	μA	I <sub>F</sub> =0mA, V <sub>O</sub> =Open, V <sub>CC</sub> =18V

**Transfer Characteristics (T<sub>a</sub>=0 to 70°C unless specified otherwise, V<sub>CC</sub>=4.5V)**

Parameter	Symbol	Min	Typ.	Max.	Unit	Condition	
Current Transfer Ratio	6N139	CTR	400	2500	-	%	I <sub>F</sub> = 0.5mA, V <sub>O</sub> = 0.4V, V <sub>CC</sub> =4.5V
			500	2000	-		I <sub>F</sub> = 1.6mA, V <sub>O</sub> = 0.4V, V <sub>CC</sub> =4.5V
			300	2000	-		I <sub>F</sub> = 1.6mA, V <sub>O</sub> = 0.4V, V <sub>CC</sub> =4.5V
Logic Low Output Voltage	6N139	V <sub>OL</sub>	-	0.05	0.4	V	I <sub>F</sub> = 0.5mA, I <sub>O</sub> = 2mA, V <sub>CC</sub> =4.5V
			-	0.09	0.4		I <sub>F</sub> = 1.6mA, I <sub>O</sub> = 8mA, V <sub>CC</sub> =4.5V
			-	0.12	0.4		I <sub>F</sub> = 5mA, I <sub>O</sub> = 15mA, V <sub>CC</sub> =4.5V
			-	0.17	0.4		I <sub>F</sub> = 12mA, I <sub>O</sub> = 24mA, V <sub>CC</sub> =4.5V
			-	0.06	0.4		I <sub>F</sub> = 1.6mA, I <sub>O</sub> = 4.8mA, V <sub>CC</sub> =4.5V
	6N138						

**Switching Characteristics (T<sub>a</sub>=0 to 70°C unless specified otherwise, V<sub>cc</sub>=5V)**

Parameter	Symbol	Min	Typ.	Max.	Unit	Condition
Propagation Delay Time to Logic Low (Fig. 13)	6N139  TPHL	-	5	25	μs	I <sub>F</sub> = 0.5mA, R <sub>L</sub> =4.7kΩ, T <sub>A</sub> =25°C
		-	-	30		I <sub>F</sub> = 0.5mA, R <sub>L</sub> =4.7kΩ
		-	0.2	1		I <sub>F</sub> = 12mA, R <sub>L</sub> =270Ω, T <sub>A</sub> =25°C
		-	-	2		I <sub>F</sub> = 12mA, R <sub>L</sub> =270Ω
		-	1.4	10		I <sub>F</sub> = 1.6mA, R <sub>L</sub> =2.2kΩ, T <sub>A</sub> =25°C
		-	-	15		I <sub>F</sub> = 1.6mA, R <sub>L</sub> =2.2kΩ
Propagation Delay Time to Logic High (Fig. 13)	6N139  TPLH	-	16	60	μs	I <sub>F</sub> = 0.5mA, R <sub>L</sub> =4.7kΩ, T <sub>A</sub> =25°C
		-	-	90		I <sub>F</sub> = 0.5mA, R <sub>L</sub> =4.7kΩ
		-	1.7	7		I <sub>F</sub> = 12mA, R <sub>L</sub> =270Ω, T <sub>A</sub> =25°C
		-	-	10		I <sub>F</sub> = 12mA, R <sub>L</sub> =270Ω
		-	8	35		I <sub>F</sub> = 1.6mA, R <sub>L</sub> =2.2kΩ, T <sub>A</sub> =25°C
		-	-	50		I <sub>F</sub> = 1.6mA, R <sub>L</sub> =2.2kΩ
Common Mode Transient Immunity at Logic High (Fig. 14) <sup>*3</sup>	CM <sub>H</sub>	1,000	-	-	V/μs	I <sub>F</sub> = 0mA, V <sub>CM</sub> =10Vp-p, R <sub>L</sub> =2.2KΩ, T <sub>A</sub> =25°C
Common Mode Transient Immunity at Logic Low (Fig. 14) <sup>*3</sup>	CM <sub>L</sub>	1,000	-	-	V/μs	I <sub>F</sub> = 1.6mA, V <sub>CM</sub> =10Vp-p, R <sub>L</sub> =2.2KΩ, T <sub>A</sub> =25°C

\* Typical values at T<sub>a</sub> = 25°C

Typical Electro-Optical Characteristics Curves

Fig.1 LED Forward Current vs. Forward Voltage

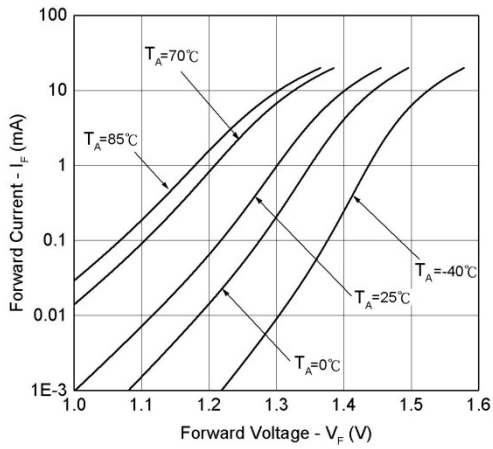


Fig.2 LED Forward Voltage vs. Temperature

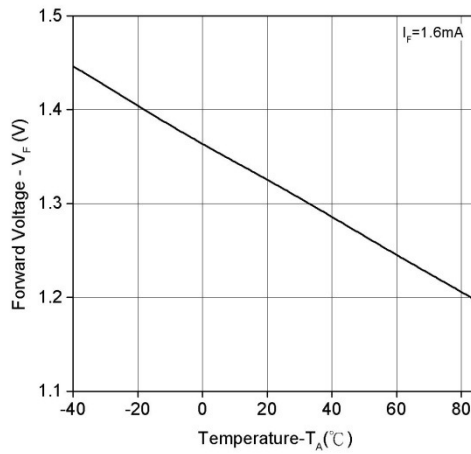


Fig.3 Output Current vs. Output Voltage

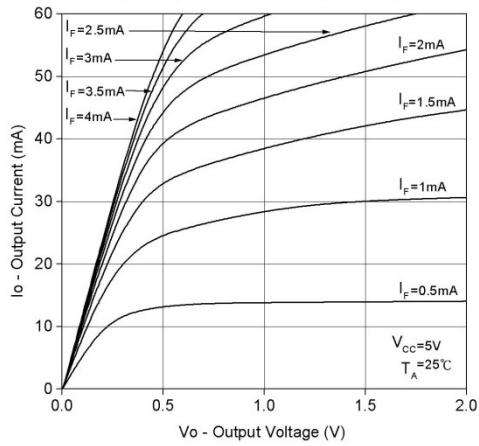


Fig.4 Output Current vs. Input Diode Forward Current

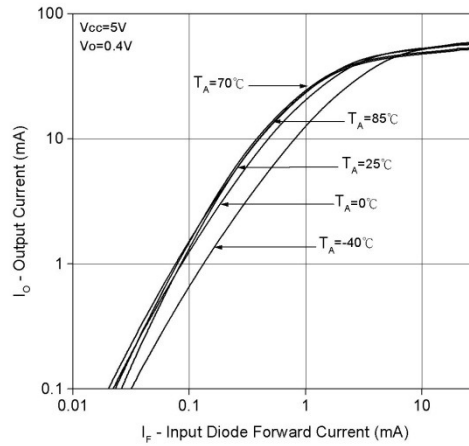


Fig.5 Current Transfer Ratio vs. Forward Current

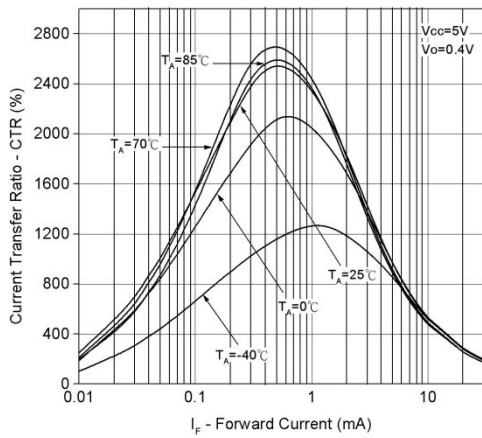


Fig.6 Current Transfer Ratio vs. Base-Emitter Resistance

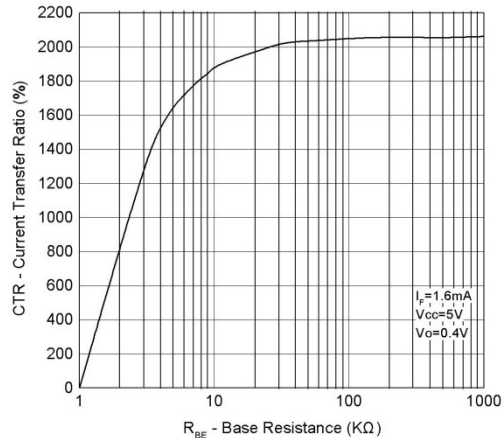


Fig.7 Non-saturated Rise and Fall Times vs. Load Resistance

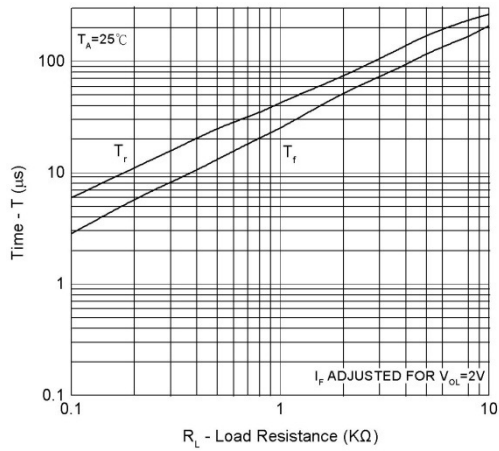


Fig.8 Propagation Delay To Logic Low vs. Base-Emitter Resistance

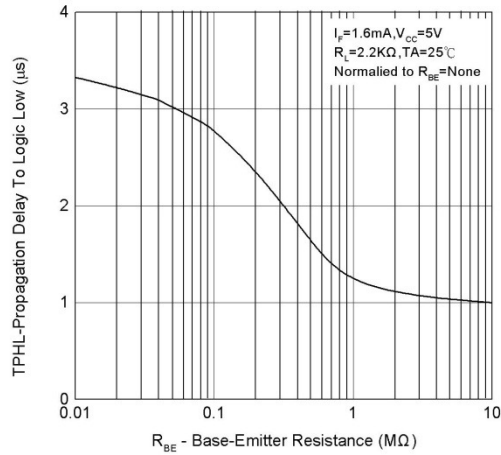


Fig.9 Propagation Delay vs. Input Diode Forward Current

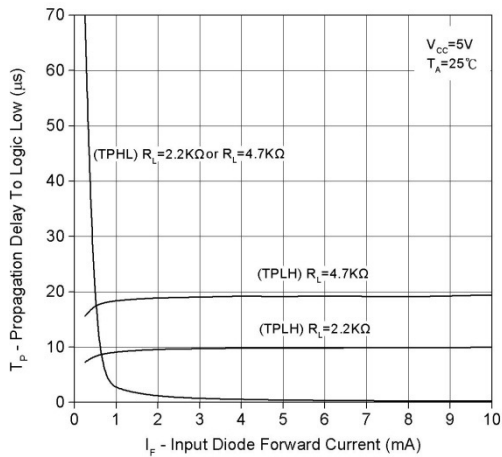


Fig.10 Propagation Delay to Logic Low vs. Pulse Period

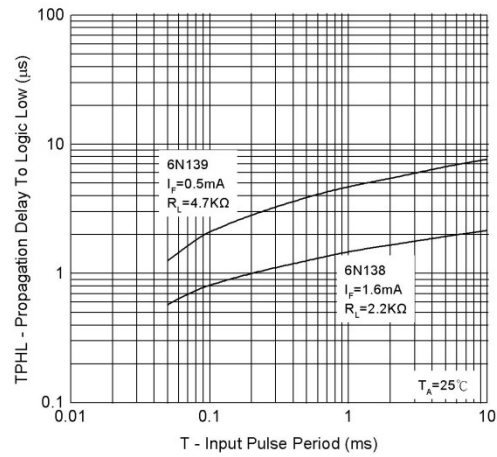


Fig.11 Propagation Delay vs. Temperature

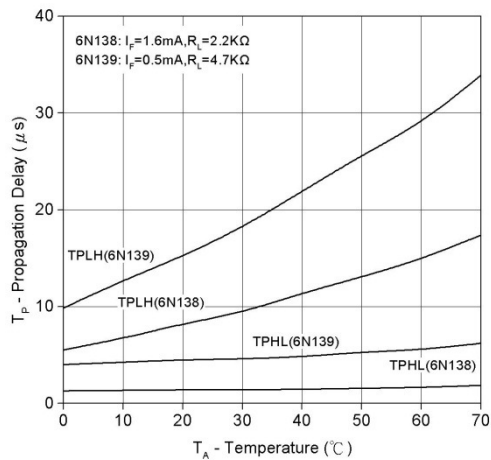


Fig.12 Logic Low Supply Current vs. Input Diode Forward Current

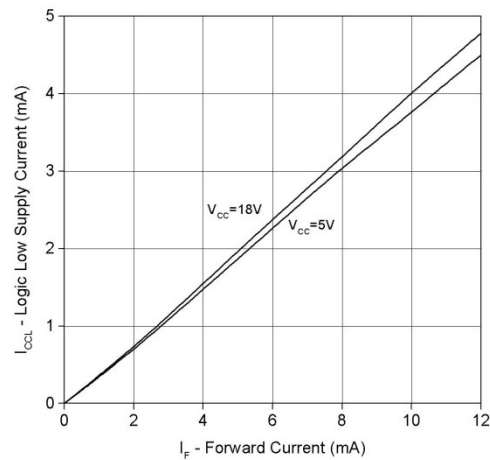


Fig. 13 Switching Time Test Circuit and Waveform

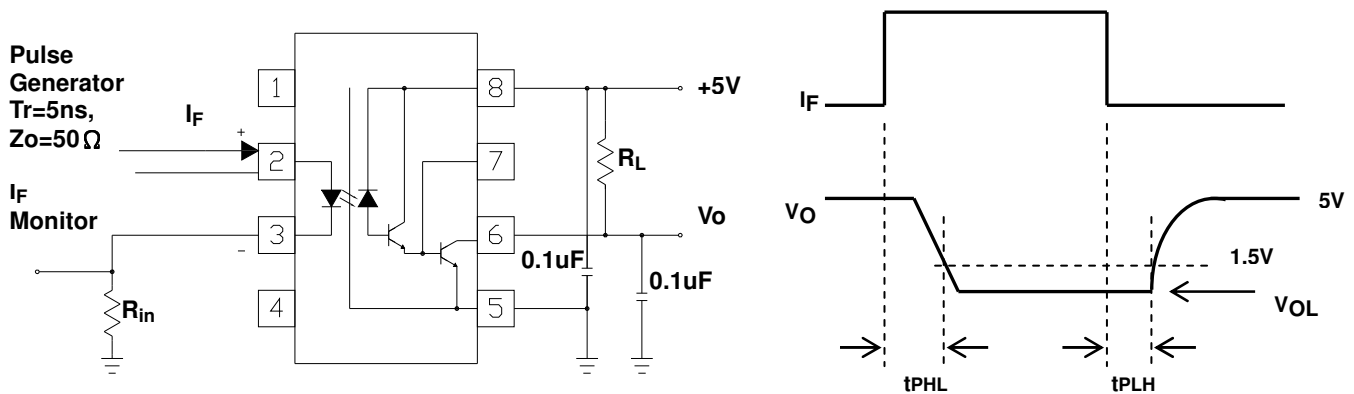
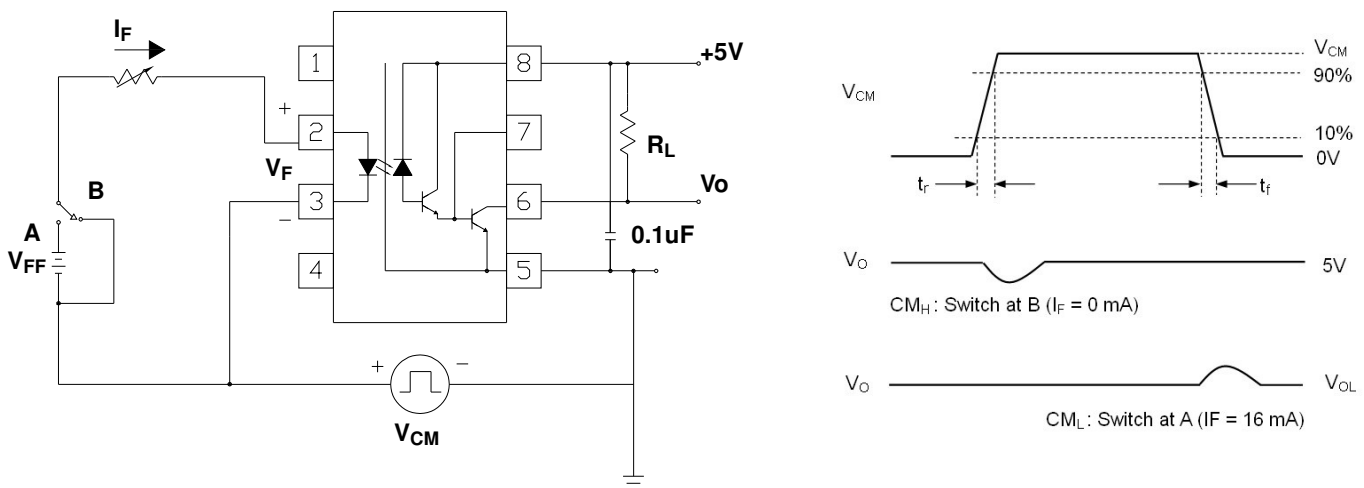


Fig. 14 Common Mode Transient Immunity Test Circuit and Waveform



**Note:**

\*3 Common mode transient immunity in logic high level is the maximum tolerable (positive)  $dV_{cm}/dt$  on the leading edge of the common mode pulse signal  $V_{CM}$ , to assure that the output will remain in a logic high state (i.e.,  $V_O > 2.0V$ ).

Common mode transient immunity in logic low level is the maximum tolerable (negative)  $dV_{cm}/dt$  on the trailing edge of the common mode pulse signal,  $V_{CM}$ , to assure that the output will remain in a logic low state (i.e.,  $V_O < 0.8V$ ).

## Order Information

### Part Number

**6N13XY(Z)-V**

### Note

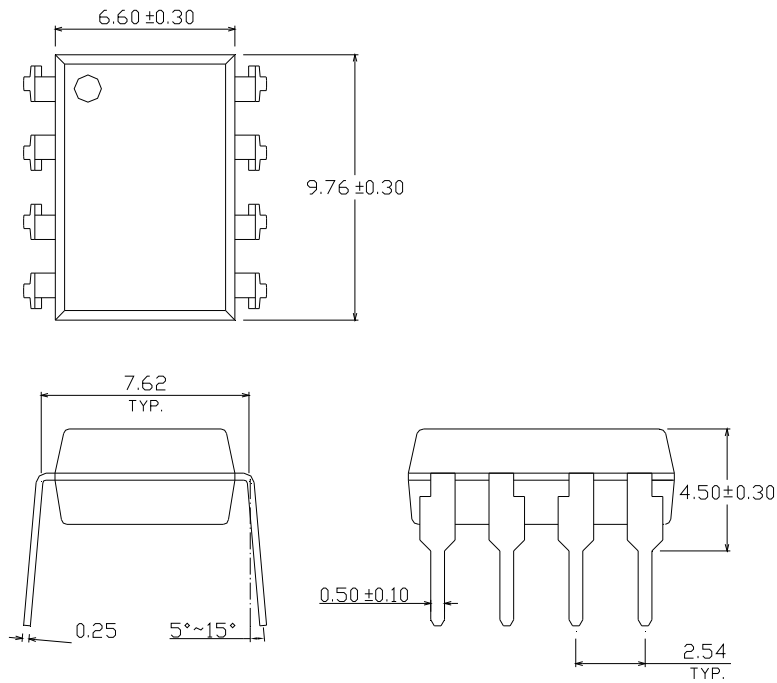
- X = Part No. (X = 8 or 9)
- Y = Lead form option (S, S1, M or none)
- Z = Tape and reel option (TA, TB or none).
- V = VDE (optional)

Option	Description	Packing quantity
None	Standard DIP-8	45 units per tube
M	Wide lead bend (0.4 inch spacing)	45 units per tube
S (TA)	Surface mount lead form + TA tape & reel option	1000 units per reel
S (TB)	Surface mount lead form + TB tape & reel option	1000 units per reel
S1 (TA)	Surface mount lead form (low profile) + TA tape & reel option	1000 units per reel
S1 (TB)	Surface mount lead form (low profile) + TB tape & reel option	1000 units per reel

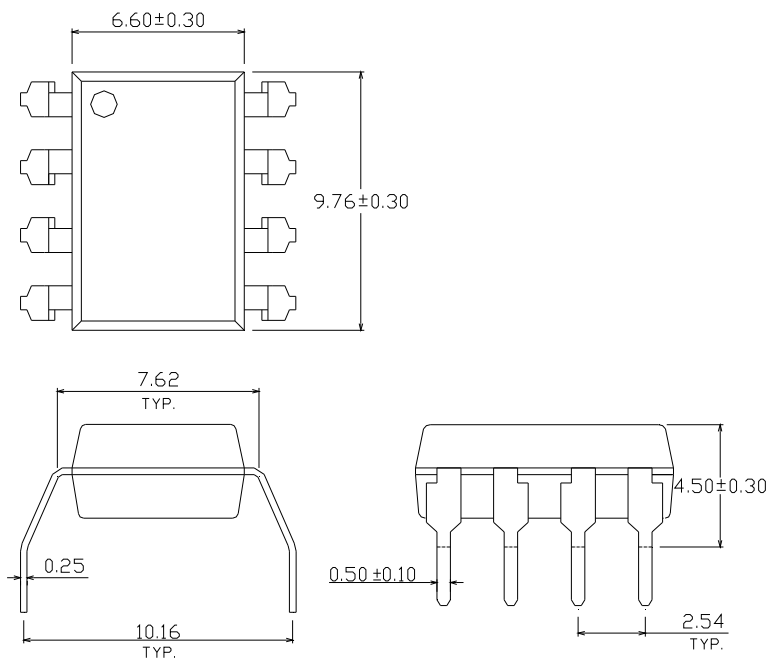


**Package Dimension**  
(Dimensions in mm)

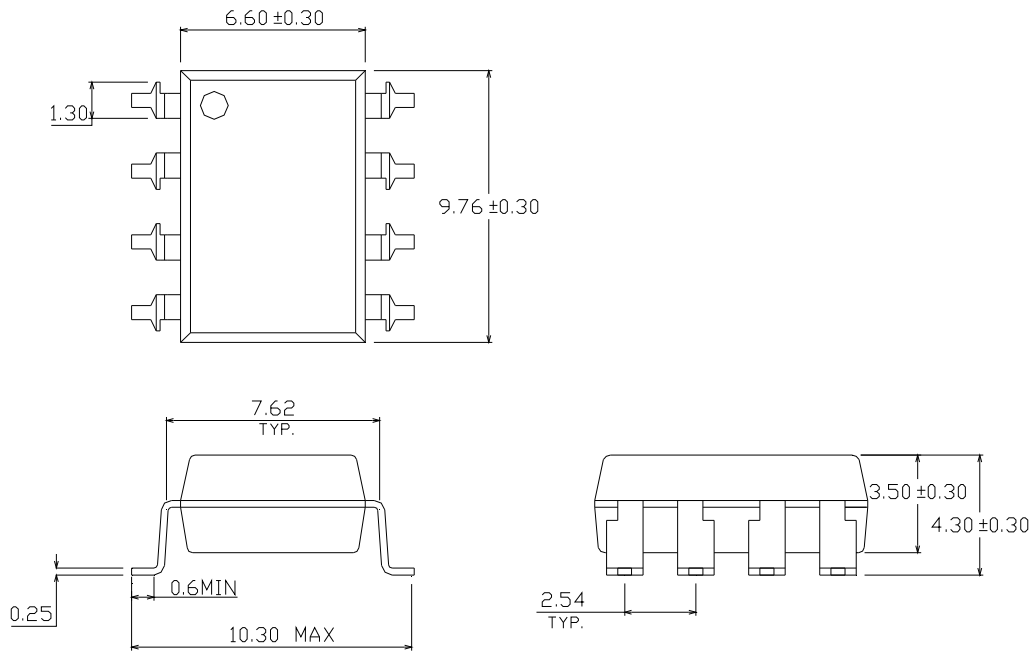
**Standard DIP Type**



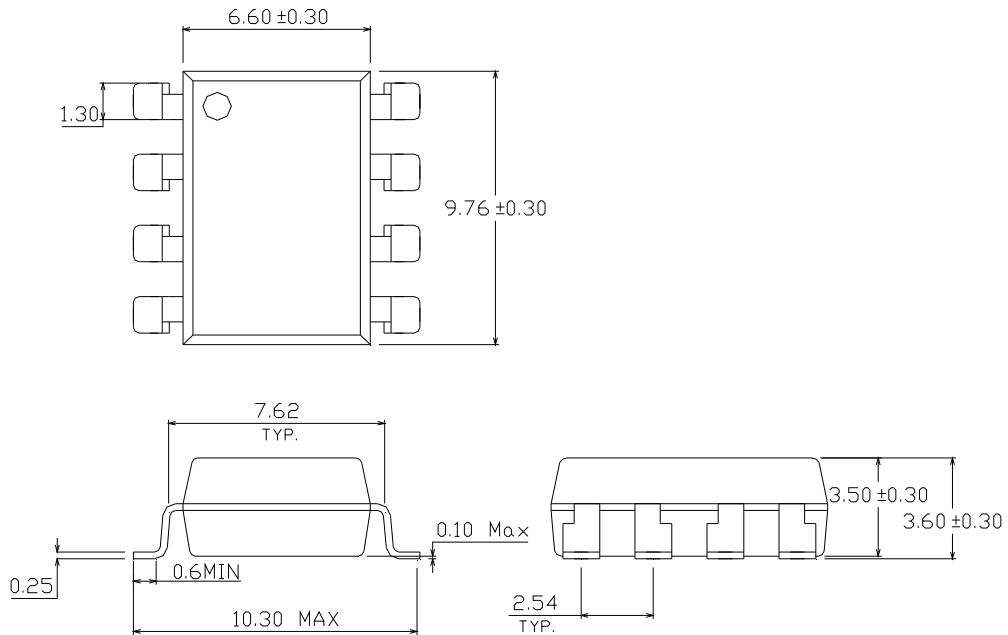
**Option M Type**



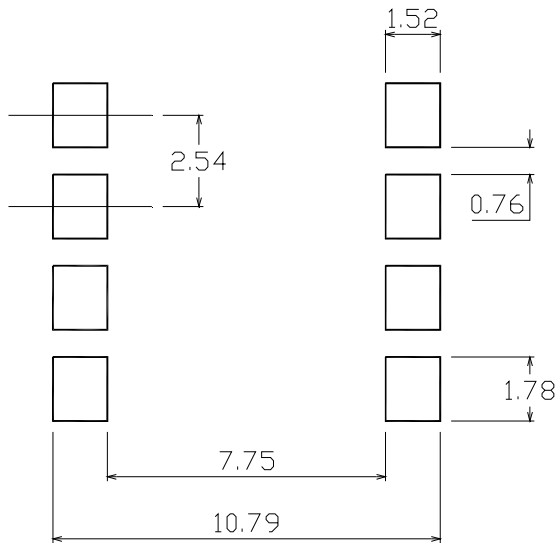
Option S Type



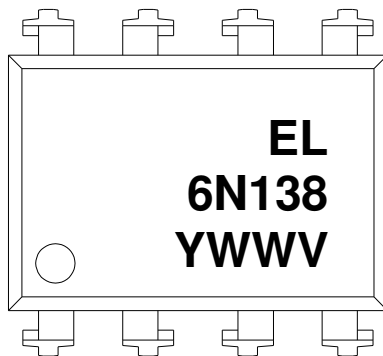
Option S1 Type



### Recommended pad layout for surface mount leadform



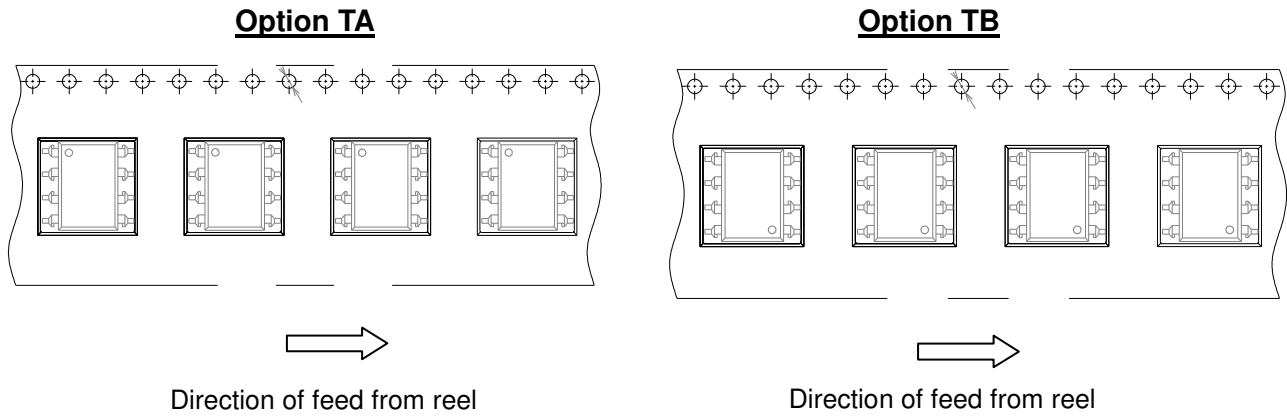
### Device Marking



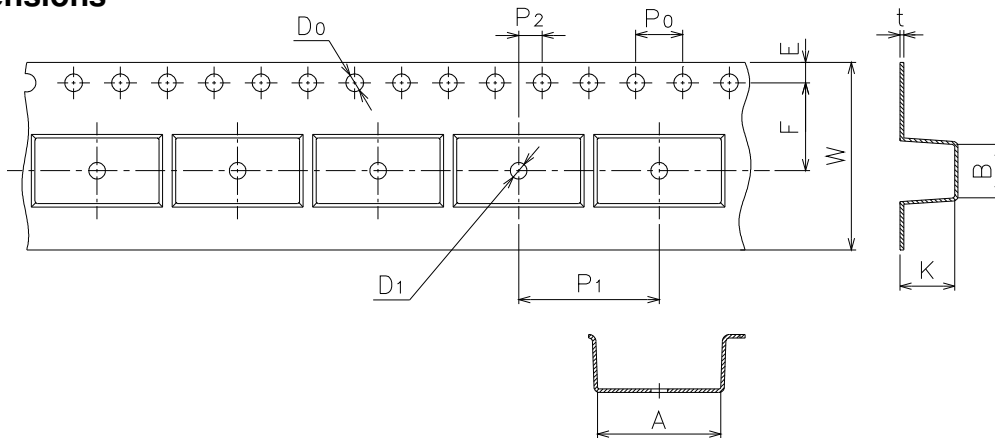
### Notes

- EL denotes EVERLIGHT
- 6N138 denotes Device Number
- Y denotes 1 digit Year code
- WW denotes 2 digit Week code
- V denotes VDE (Optional)

**Tape & Reel Packing Specifications**



**Tape dimensions**

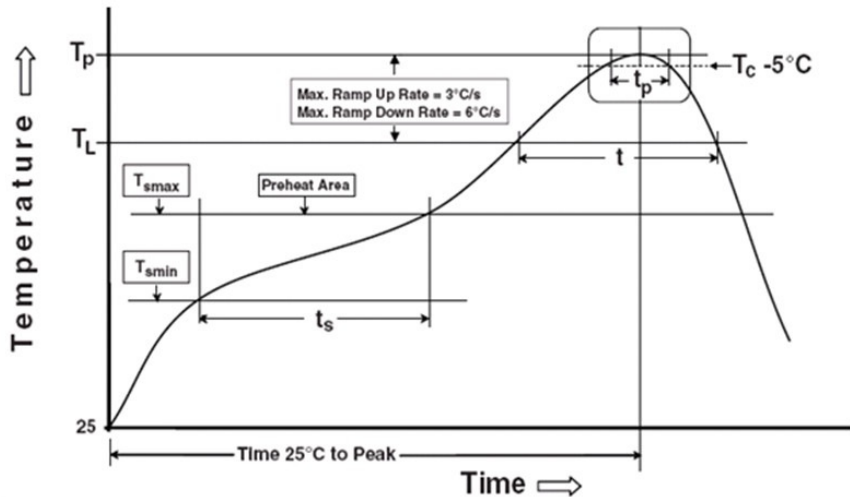


Dimension No.	<b>A</b>	<b>B</b>	<b>Do</b>	<b>D1</b>	<b>E</b>	<b>F</b>
Dimension(mm)	10.4±0.1	10.0±0.1	1.5+0.1/-0	1.5±0.25/-0	1.75±0.1	7.5±0.1
Dimension No.	<b>Po</b>	<b>P1</b>	<b>P2</b>	<b>t</b>	<b>W</b>	<b>K</b>
Dimension(mm)	4.0±0.1	12.0±0.1	2.0±0.05	0.4±0.05	16.0±0.3/	4.5±0.1

## Precautions for Use

### 1. Soldering Condition

#### 1.1 (A) Maximum Body Case Temperature Profile for evaluation of Reflow Profile



Note:

Reference: IPC/JEDEC J-STD-020D

#### Preheat

Temperature min ( $T_{smin}$ )	150 °C
Temperature max ( $T_{smax}$ )	200 °C
Time ( $T_{smin}$ to $T_{smax}$ ) ( $t_s$ )	60-120 seconds
Average ramp-up rate ( $T_{smax}$ to $T_p$ )	3 °C/second max

#### Other

Liquidus Temperature ( $T_L$ )	217 °C
Time above Liquidus Temperature ( $t_L$ )	60-100 sec
Peak Temperature ( $T_p$ )	260 °C
Time within 5 °C of Actual Peak Temperature: $T_p - 5^\circ\text{C}$	30 s
Ramp- Down Rate from Peak Temperature	6 °C /second max.
Time 25 °C to peak temperature	8 minutes max.
Reflow times	3 times

## **DISCLAIMER**

1. Above specification may be changed without notice. EVERLIGHT will reserve authority on material change for above specification.
2. When using this product, please observe the absolute maximum ratings and the instructions for using outlined in these specification sheets. EVERLIGHT assumes no responsibility for any damage resulting from use of the product which does not comply with the absolute maximum ratings and the instructions included in these specification sheets.
3. These specification sheets include materials protected under copyright of EVERLIGHT corporation. Please don't reproduce or cause anyone to reproduce them without EVERLIGHT's consent.