

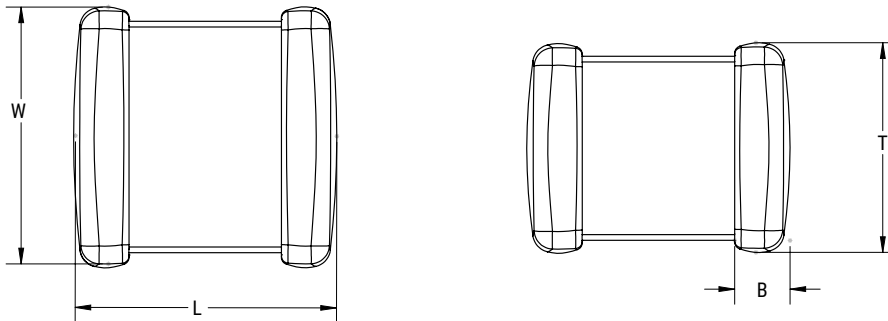
Ultra HiQ-CBR Squared Series, 0505 Case Size

High Power (0.4 – 2.0 pF)

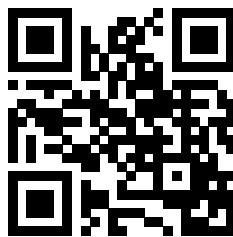
Sample Kit Contents

KEMET Part Number	Case Size	Capacitance	Capacitance Tolerance	Rated Voltage	Dielectric	Quantity
	EIA/Metric	pF	%	VDC		
CBR05C408BAGAC	0505/1414	0.4	±0.10	250	COG	50
CBR05C508BAGAC	0505/1414	0.5	±0.10	250	COG	50
CBR05C608BAGAC	0505/1414	0.6	±0.10	250	COG	50
CBR05C708BAGAC	0505/1414	0.7	±0.10	250	COG	50
CBR05C808BAGAC	0505/1414	0.8	±0.10	250	COG	50
CBR05C908BAGAC	0505/1414	0.9	±0.10	250	COG	50
CBR05C109BAGAC	0505/1414	1.0	±0.10	250	COG	50
CBR05C119BAGAC	0505/1414	1.1	±0.10	250	COG	50
CBR05C129BAGAC	0505/1414	1.2	±0.10	250	COG	50
CBR05C139BAGAC	0505/1414	1.3	±0.10	250	COG	50
CBR05C149BAGAC	0505/1414	1.4	±0.10	250	COG	50
CBR05C159BAGAC	0505/1414	1.5	±0.10	250	COG	50
CBR05C169BAGAC	0505/1414	1.6	±0.10	250	COG	50
CBR05C179BAGAC	0505/1414	1.7	±0.10	250	COG	50
CBR05C189BAGAC	0505/1414	1.8	±0.10	250	COG	50
CBR05C199BAGAC	0505/1414	1.9	±0.10	250	COG	50
CBR05C209BAGAC	0505/1414	2.0	±0.10	250	COG	50

Dimensions – Millimeters (Inches)



Case Size (in.)	Case Size (mm)	L Length	W Width	T Thickness	B Bandwidth	Mounting Technique
0505	1414	1.40+0.38/-0.25 (0.055+0.015/-0.01)	1.40±0.38 (0.055±0.015)	1.15±0.15 (0.045±0.006)	0.25+0.25-0.13 (0.010+0.010-0.005)	Solder Reflow Only



www.kemet.com/rf