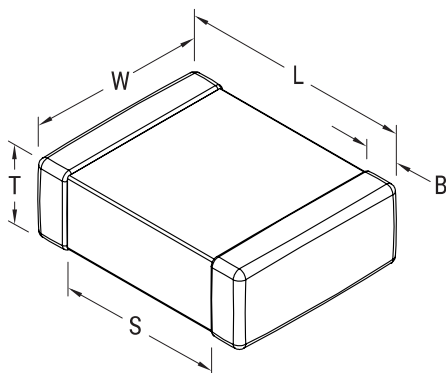


KEMET Part Number: C0603V102KDRACTU
(C0603V102KDRAC7867)

ArcShield SMD Comm X7R HV, Ceramic, Anti-Arcing, 1000 pF, 10%, 1,000 V, X7R, SMD, MLCC, ArcShield, High Voltage, Temperature Stable, 0603



Dimensions	
L	1.6mm +/-0.15mm
W	0.8mm +/-0.15mm
T	0.8mm +/-0.10mm
S	0.7mm MIN
B	0.35mm +/-0.15mm

Packaging Specifications	
Packaging:	T&R, 180mm, Paper Tape
Packaging Quantity:	4000

General Information	
Supplier:	KEMET
Series:	ArcShield SMD Comm X7R HV
Style:	SMD Chip
Description:	SMD, MLCC, ArcShield, High Voltage, Temperature Stable
Features:	High Voltage, Temperature Stable
RoHS:	Yes
Termination:	Tin
Marking:	No
Failure Rate:	N/A
Miscellaneous:	Note: Referee time for X7R dielectric for this part number is 1000 hours. X7R dielectric is not recommended for AC line filtering or pulse applications
Chip Size:	0603
Shelf Life:	78 Weeks
MSL:	1

Specifications	
Capacitance:	1000 pF
Capacitance Tolerance:	10%
Voltage DC:	1000 VDC
Dielectric Withstanding Voltage:	1,200 V
Temperature Range:	-55/+125C
Temperature Coefficient:	X7R
Dissipation Factor:	2.5% 1kHz 25C
Aging Rate:	3% Loss/Decade Hour
Insulation Resistance:	10 GOhms