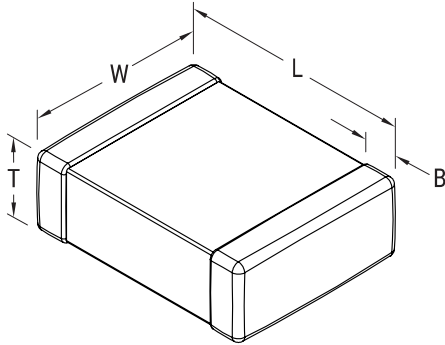


KEMET Part Number: C1206C107M9PACTU
(C1206C107M9PAC7800)

SMD Comm X5R, Ceramic, 100 uF, 20%, 6.3 V, X5R, SMD, MLCC, Temperature Stable, Class II, 1206



Dimensions

L	3.2mm +/-0.2mm
W	1.6mm +/-0.2mm
T	1.6mm +/-0.20mm
B	0.5mm +0.35/-0.25mm

Packaging Specifications

Packaging:	T&R, 180mm, Plastic Tape
Packaging Quantity:	2000

General Information

Supplier:	KEMET
Series:	SMD Comm X5R
Style:	SMD Chip
Description:	SMD, MLCC, Temperature Stable, Class II
Features:	Temperature Stable, Class II
RoHS:	Yes
Termination:	Tin
Marking:	No
Failure Rate:	N/A
Miscellaneous:	Note: Referee time for X5R dielectric for this part number is 48 hours
Chip Size:	1206
Shelf Life:	78 Weeks
MSL:	1

Specifications

Capacitance:	100 uF
Capacitance Tolerance:	20%
Voltage DC:	6.3 VDC
Dielectric Withstanding Voltage:	15.75 V
Temperature Range:	-55/+85C
Temperature Coefficient:	X5R
Dissipation Factor:	10% 120Hz 25C
Aging Rate:	5% Loss/Decade Hour
Insulation Resistance:	1 MOhms