

4

3

2

1

D

D

C

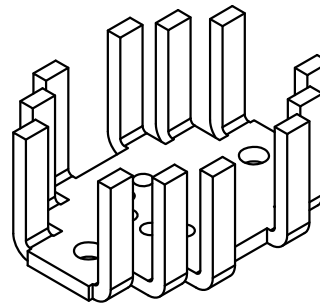
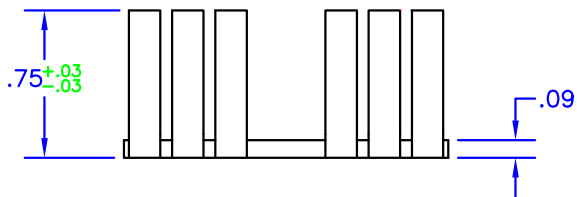
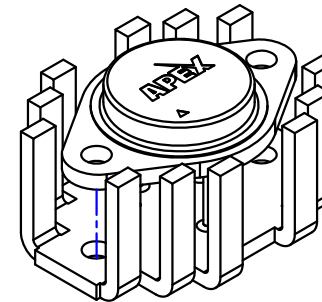
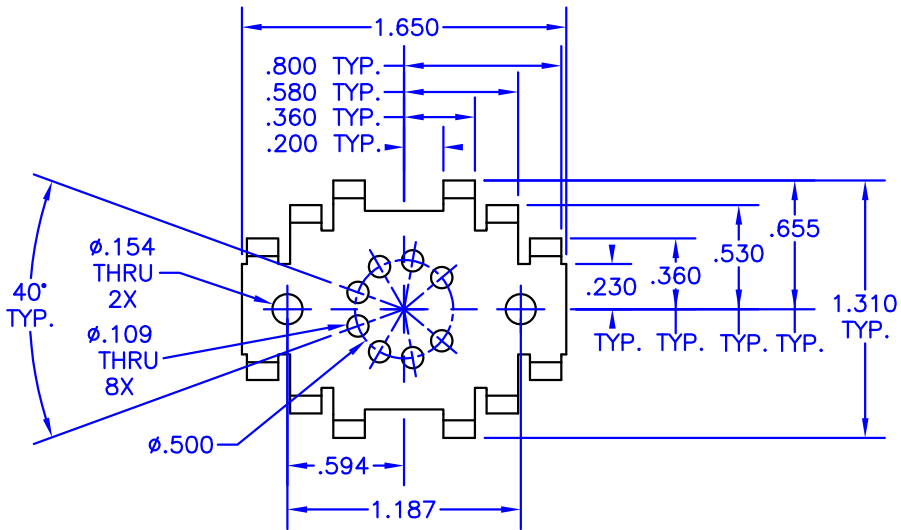
C

B

B

A

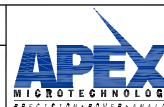
A



**NOTES:**

1. Unless otherwise noted, all dimensions are in inches.
2. Break all sharp edges, de-burr & remove loose chips.
3. Material: Aluminum alloy.
4. Finish: Anodize per MIL-A-8625, Type II, Class 2, Black  
Typical breakdown voltage > 300V.
5. Mark with contrasting ink as shown, if specified by P.O.
6. Approximate Weight: 0.4 oz [11g].
7. Vendor: Aavid Thermalloy Extrusion 329241.
8. Thermal rating: 11.7 °C/W

|   |
|---|
| TOLERANCES - UNLESS OTHERWISE SPECIFIED |
| .XX = ±.01 [.254]                       |
| .XXX = ±.005 [.127]                     |
| ANG. = ±5°                              |



|                             |                |            |            |
|-----------------------------|----------------|------------|------------|
| TITLE: HEATSINK, T03        |                | MODEL:     |            |
| SUBJECT: MECHANICAL DRAWING |                |            |            |
| ENGINEER: D-M               | DRAWN BY: RMOR | DCA: 14295 | SH. OF 1 1 |

|      |  |        |               |
|------|--|--------|---------------|
| HS09 |  | REV: H | DATE: 02SEP14 |
|------|--|--------|---------------|

4

3

2

1

THIS PAGE LEFT BLANK