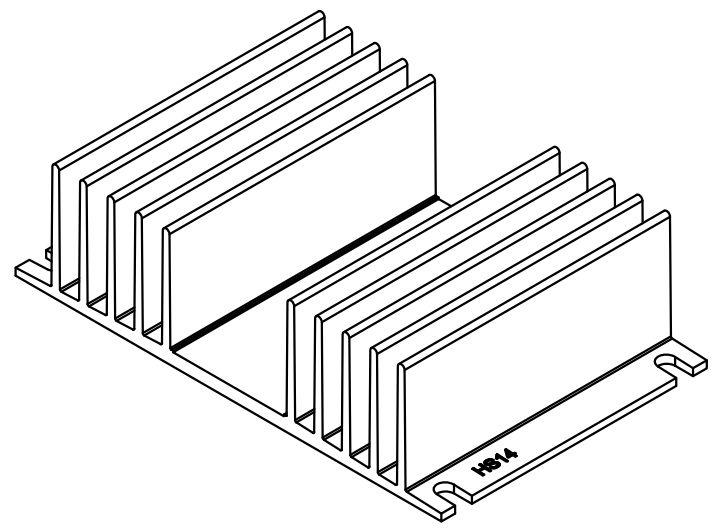


DETAIL A
SCALE: 2X

P1 HEATSINK
 MAT'L: 6063-T5 ALUMINUM (AAVID EXTRUSION #60840)
 FINISH: ANODIZE PER MIL-A-8625, TYPE II, CL 2, BLACK
 TYPICAL BREAKDOWN VOLTAGE > 300V



NOTES:

1. UNLESS OTHERWISE NOTED, ALL DIMENSIONS ARE IN INCHES.
2. BREAK ALL SHARP EDGES, DE-BURR & REMOVE LOOSE CHIPS.
3. MARK WITH CONTRASTING INK AS SHOWN, IF SPECIFIED BY PURCHASE ORDER.
4. THERMAL RATING: 2 °C/W
5. APPROXIMATE WEIGHT: 7.5 oz [213g]

TOLERANCES - UNLESS OTHERWISE SPECIFIED		TITLE: TO-3 HEATSINK		MODEL: HS14	
.XX = ±.01 [.254]		SUBJECT: MECHANICAL DRAWING		REV: I	
.XXX = ±.005 [.127]		ENGINEER: D-M		DATE: 03JAN14	
ANG. = ±5°		DRAWN BY: R.MOR		FILENAME: HS14	
APEX TECHNOLOGY		DCN: 13497		SHEET: 1 OF 1	