

THE INFORMATION CONTAINED HEREIN IS CONSIDERED "PROPRIETARY" TO BEL FUSE INC. AND SHALL NOT BE COPIED, REPRODUCED OR DISCLOSED WITHOUT THE WRITTEN APPROVAL OF BEL FUSE INC.

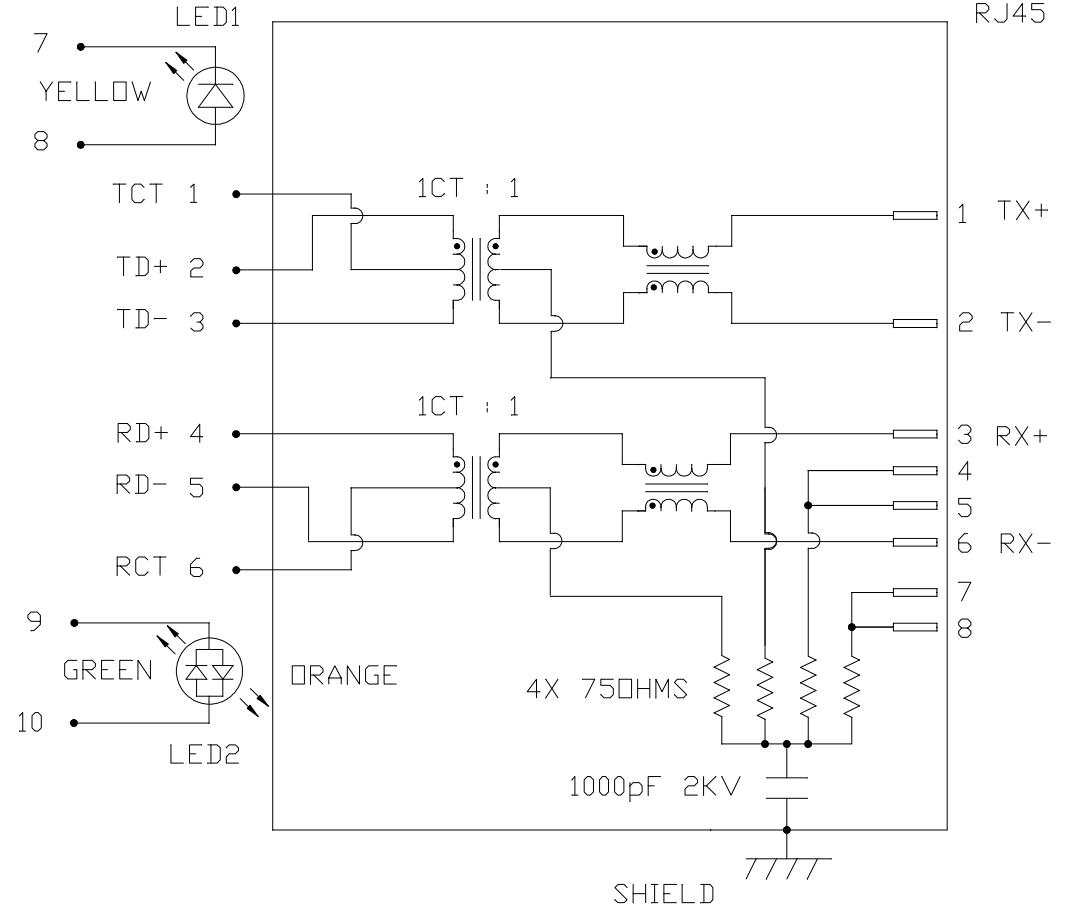
LED1 POLARITY			LED2 POLARITY		
PIN 7	PIN 8	COLOR	PIN 9	PIN 10	COLOR
-	+	YELLOW	+	-	ORANGE
			-	+	GREEN

SCHEMATIC



**ELECTRICAL CHARACTERISTICS @ 25°C**

<p> <b>TRANSFORMER CHARACTERISTICS</b>            TURNS RATIO            TX 1CT : 1            RX 1CT : 1            OCL @ 100kHz/100mVRMS            8mA DC BIAS 350µH MIN.            INS. LOSS            1MHz TO 100MHz -1.0 dB MAX            RET. LOSS (MIN)            1MHz-30MHz -18 dB            30MHz-60MHz -18+20LOG(F/30MHz) dB            60MHz-80MHz -12 dB            CROSS TALK (TX - RX)            500kHz-1MHz -70 dB MIN            10 MHz -50 dB MIN            30 MHz -45 dB MIN            50 MHz -40 dB MIN            100 MHz -35 dB MIN            CM TO CM REJ            100kHz-1MHz -70 dB MIN            10 MHz -47 dB MIN            30 MHz -42 dB MIN            60 MHz -37 dB MIN            100 MHz -30 dB MIN            CM TO DM REJ            100kHz-1MHz -70 dB MIN            10 MHz -60 dB MIN            30 MHz -50 dB MIN            60 MHz -45 dB MIN            100 MHz -40 dB MIN            HIPOT (Isolation Voltage):            1500 Vrms            100% OF PRODUCTION TESTED TO COMPLY WITH            IEEE 802.3 ISOLATION REQUIREMENTS.         </p>	<p> <b>LED1</b>            VF (FORWARD VOLTAGE) IF=20mA YELLOW 2.1V TYP.            λD (DOMINANT WAVELENGTH) IF=20mA YELLOW 590nm TYP.  <b>LED 2</b>            VF (FORWARD VOLTAGE) IF=20mA ORANGE 2.0V TYP.            GREEN 2.2V TYP.            λD (DOMINANT WAVELENGTH) IF=20mA ORANGE 605nm TYP.            GREEN 570nm TYP.         </p>
---	---



**ORIGINATED BY**  
 CHOW WANCHUNG  
**DATE** 2014-01-07  
**DRAWN BY**  
 HU XIANG  
**DATE** 2014-01-07

**TITLE**  
 MagJack®  
 (4 Cores, MDIX, CM Termination)  
 08B0-1X1T-36-F  
 PATENTED

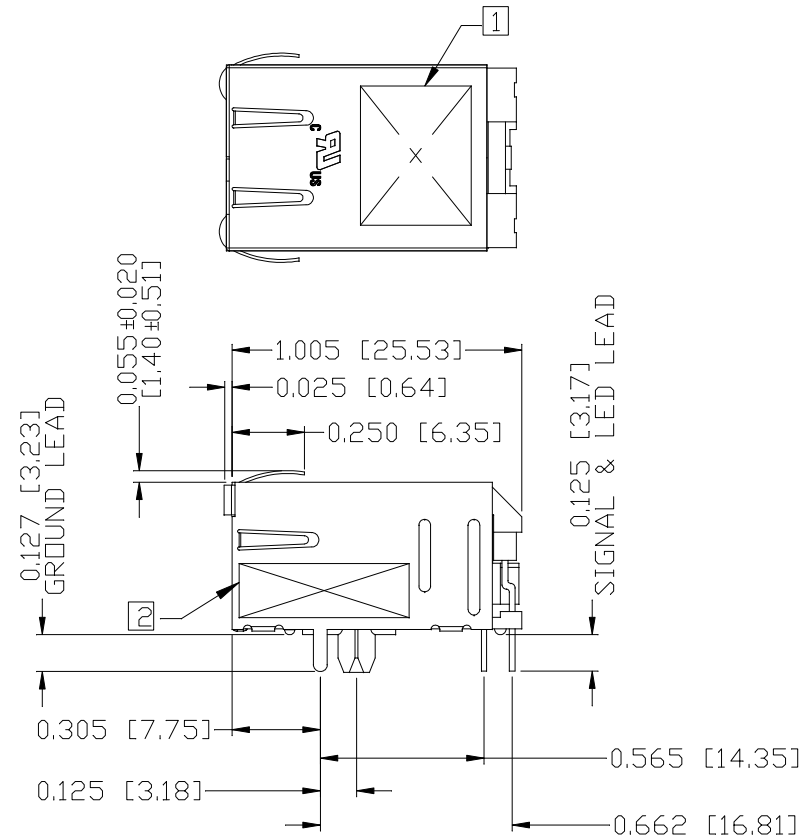
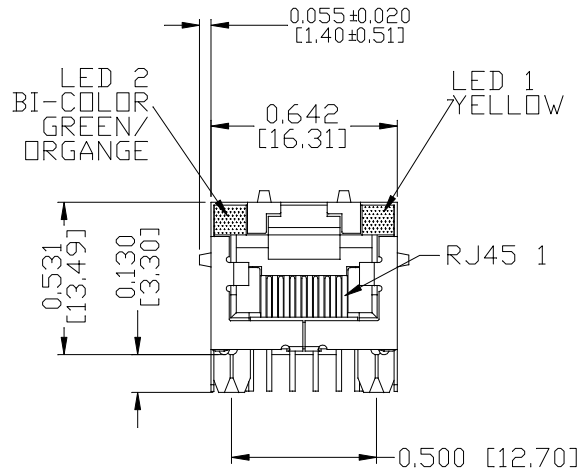
**PART NO. / DRAWING NO.**  
 08B01X1T36-F  
**FILE NAME**  
 08B01X1T36-F\_C.DWG

<b>STANDARD DIM.</b>	[ ] METRIC DIM.
TOL. IN INCH	AS REF.
.X	UNIT : INCH [mm]
.XX	SCALE : N/A
.XXX	SIZE : A4

REV. : C      PAGE : 2  
  
 a bel group

THE INFORMATION CONTAINED HEREIN IS CONSIDERED "PROPRIETARY" TO BEL FUSE INC. AND SHALL NOT BE COPIED, REPRODUCED OR DISCLOSED WITHOUT THE WRITTEN APPROVAL OF BEL FUSE INC.

MECHANICAL SPECIFICATION



NOTES:

- PLASTIC HOUSING: THERMOPLASTIC PBT  
FLAMMABILITY RATING UL 94V-0
- CONTACTS PLATING: 15 MICRO-INCH HARD GOLD PLATING OR EQUIVALENT.
- PINS: TIN-COATED COPPER WIRE, DIA 0.018 INCH.
- METAL SHIELD: PRE-PLATED NICKEL ON COPPER ALLOY.
- [1] MARK PART WITH MFG LOGO, MFG NAME, PART NUMBER AND DATE CODE.
- [2] "PATENTED" MARKING.

- 3. THE PRODUCT IS RoHS COMPLIANT.
- 4. JACK CAVITY CONFORMS TO FCC RULES AND REGULATIONS, PART 68 SUBPART F.
- 5. THE PRODUCT IS PATENTED. THE PATENT NUMBER IS U.S. PAT. 5,736,910.

UL RECOGNIZED - FILE #E196366 AND E169987.

REV. : C      PAGE : 3

ORIGINATED BY  
ANTON LIAO  
DATE 2014-01-07  
DRAWN BY  
JESSE LI  
DATE 2014-01-07

TITLE  
MagJack®  
(4 Cores, MDIX, CM Termination)  
08B0-1X1T-36-F  
PATENTED

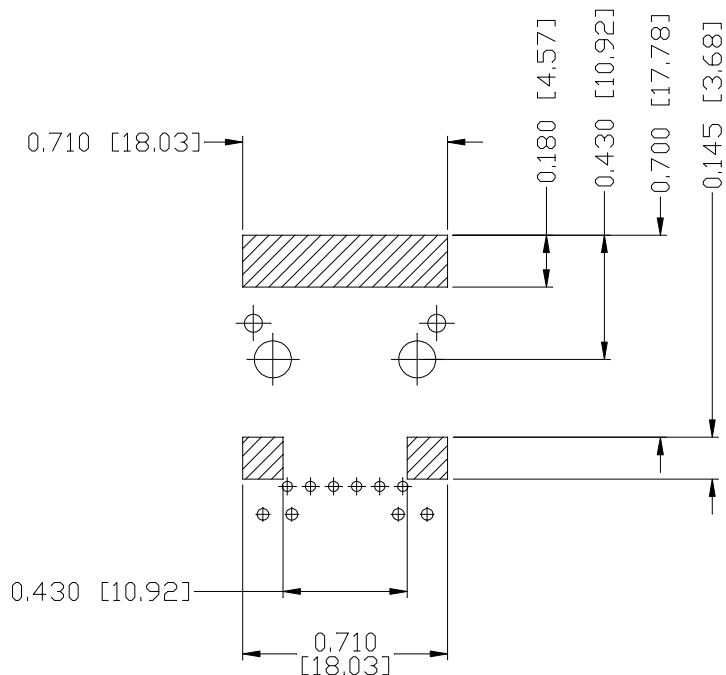
PART NO. / DRAWING NO.  
08B01X1T36-F  
FILE NAME  
08B01X1T36-F\_C.DWG

STANDARD DIM. TOL. IN INCH  
.X  
.XX  
.XXX ±0.010  
[ ] METRIC DIM. AS REF.  
UNIT : INCH [mm]  
SCALE : N/A  
SIZE : A4

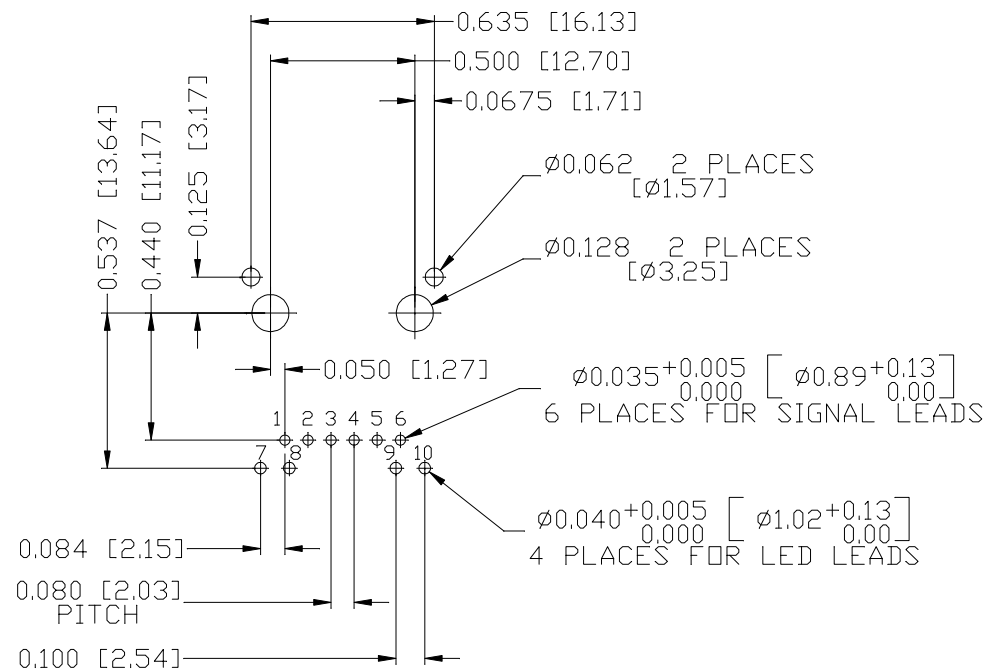


THE INFORMATION CONTAINED HEREIN IS CONSIDERED "PROPRIETARY" TO BEL FUSE INC. AND SHALL NOT BE COPIED, REPRODUCED OR DISCLOSED WITHOUT THE WRITTEN APPROVAL OF BEL FUSE INC.

RoHS



RECOMMENDED PCB FOOTPRINT  
COMPONENT SIDE VIEW



NOTES:

THE SHADED AREA ON THE CUSTOMER BOARD ARE RECOMMENDED TO BE CLEAR OFF ANY VIA HOLE OR COMPONENT PAD.

REV. : C PAGE : 4

ORIGINATED BY  
ANTON LIAO  
DATE 2014-01-07  
DRAWN BY  
JESSE LI  
DATE 2014-01-07

TITLE  
MagJack®  
(4 Cores, MDIX, CM Termination)  
08B0-1X1T-36-F  
PATENTED

PART NO. / DRAWING NO.  
08B01X1T36-F  
FILE NAME  
08B01X1T36-F\_C.DWG

STANDARD DIM. TOL. IN INCH	[ ] METRIC DIM. AS REF.
.X	UNIT : INCH [mm]
.XX	SCALE : N/A
.XXX ±0.004	SIZE : A4

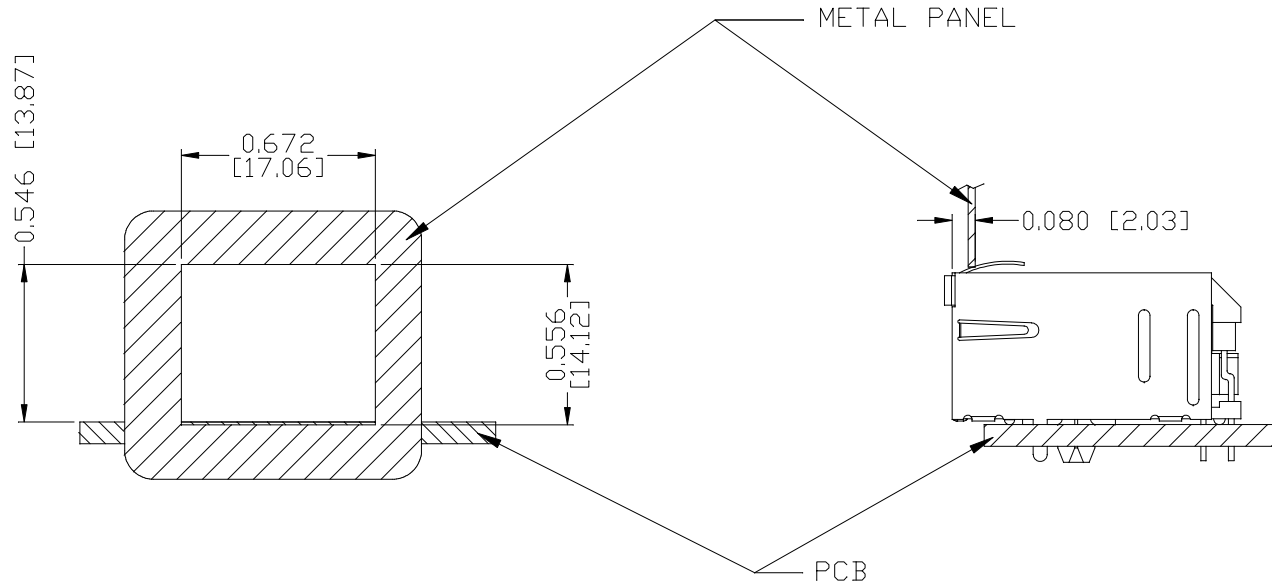


THE INFORMATION CONTAINED HEREIN IS CONSIDERED "PROPRIETARY" TO BEL FUSE INC. AND SHALL NOT BE COPIED, REPRODUCED OR DISCLOSED WITHOUT THE WRITTEN APPROVAL OF BEL FUSE INC.

RoHS



SUGGESTED PANEL OPENING



NOTE:

THE DISTANCE OF PANEL INSIDE SURFACE RELATIVE TO FRONT SURFACE OF PART IS ONLY A SUGGESTION. IN CASE THIS DISTANCE IS DIFFERENT, THE REQUIRED PANEL OPENING DIMENSIONS CHANGE ACCORDINGLY.

PACKING INFORMATION

PACKING TRAY : 0200-9999-D4(TOP)

0200-9999-D5(BOTTOM)

PACKING QUANTITY : 60 PCS FINISHED GOODS PER TRAY

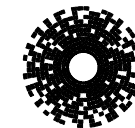
11 TRAYS (660 PCS FINISHED GOODS) PER CARTON BOX

NOTE : CARDBOARDS ARE PLACED BETWEEN LAYERS OF PACKING TRAY INSIDE CARTON BOX

(INCLUDE THE UPPERMOST AND LOWERMOST TRAY)

REV. :	C	PAGE :	5
--------	---	--------	---

ORIGINATED BY ANTON LIAO DATE 2014-01-07	TITLE MagJack® (4 Cores, MDIX, CM Termination)	PART NO. / DRAWING NO. 08B01X1T36-F	STANDARD DIM.		[ ] METRIC DIM.
			TOL. IN INCH		AS REF.
			.X		UNIT : INCH [mm]
			.XX		SCALE : N/A
DRAWN BY JESSE LI DATE 2014-01-07	08B0-1X1T-36-F PATENTED	FILE NAME 08B01X1T36-F_C.DWG	.XXX	±0.004	SIZE : A4



**bel** MAGNETIC SOLUTIONS  
a bel group