

Board Level Cooling – Slide On 5740



BOARD LEVEL COOLING - Slide On 5740

Slide On 5740 is a series of slide on board level heat sinks designed to cool TO-220, and TO-220-single gauge (0.020") devices. Representative Image Only

ORDERING INFORMATION

| Part Number | Device Type |
|---------------|-----------------------------|
| 574402B03200G | TO-220, TO-220-single gauge |
| 574502B00000G | TO-220 |
| 574502B03200G | TO-220 |
| 574502B03300G | TO-220 |
| 574502B03700G | TO-220 |
| 574602B00000G | TO-220 |
| 574602B03300G | TO-220 |
| 574602B03700G | TO-220 |
| 574902B00000G | TO-220, TO-220-single gauge |
| 574902B03300G | TO-220, TO-220-single gauge |
| 574902B03700G | TO-220, TO-220-single gauge |
| 574902B04300G | TO-220, TO-220-single gauge |
| 578902B03200G | TO-220, TO-220-single gauge |



HEAT SINK DETAILS

| Property | Details |
|----------------------------|------------------------|
| Material | Aluminum |
| Finish | Black Anodize |
| Device Attachment Options | Spring Action Slide On |
| Thermal Interface Material | - |

| Property | Details |
|------------------------------|----------------------|
| Heat Sink Width (mm) | 21.84 |
| Heat Sink Length (mm) | 9.02 |
| Heat Sink Mounting Direction | Horizontal, Vertical |

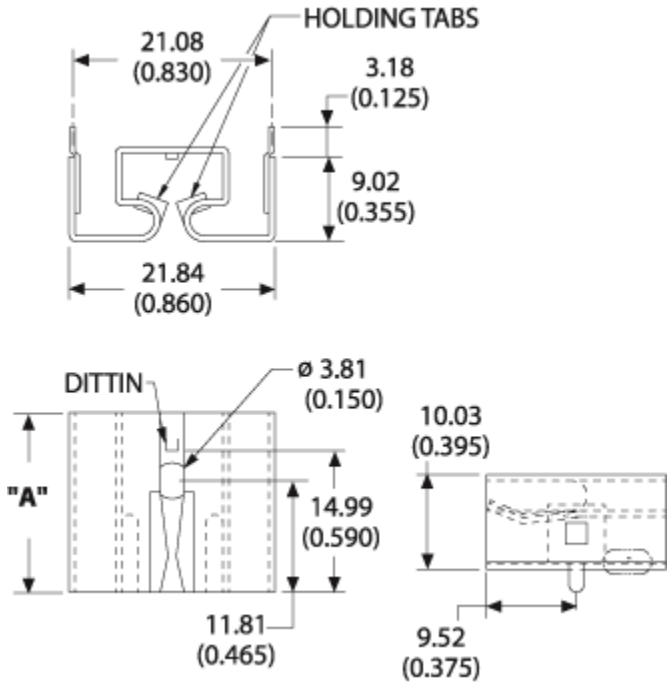
MECHANICAL & PERFORMANCE

Drawing dimensions are shown in mm, (in)

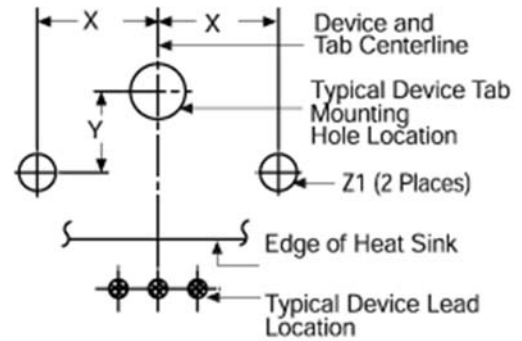
| Part Number | Heat Sink Height | "X" Dim | "Y" Dim | "Z" Dim |
|---------------|------------------|---------------|--------------|--------------|
| 574402B03200G | 19.05 | 10.54 (0.415) | 3.05 (0.120) | 1.91 (0.075) |
| 574502B00000G | 19.05 | - | - | - |
| 574502B03200G | 19.05 | 10.54 (0.415) | 4.06 (0.160) | 1.91 (0.075) |
| 574502B03300G | 19.05 | 10.54 (0.415) | 4.06 (0.160) | 1.91 (0.075) |
| 574502B03700G | 19.05 | 10.54 (0.415) | 4.06 (0.160) | 1.91 (0.075) |
| 574602B00000G | 17.53 | - | - | - |
| 574602B03300G | 17.53 | 10.54 (0.415) | 4.06 (0.160) | 1.91 (0.075) |
| 574602B03700G | 17.53 | 10.54 (0.415) | 4.06 (0.160) | 1.63 (0.064) |
| 574902B00000G | 34.93 | - | - | - |
| 574902B03300G | 34.93 | 10.54 (0.415) | 3.05 (0.120) | 1.91 (0.075) |
| 574902B03700G | 34.93 | 10.54 (0.415) | 4.06 (0.160) | 1.91 (0.075) |
| 574902B04300G | 34.93 | 10.54 (0.415) | 4.06 (0.160) | 1.63 (0.064) |
| 578902B03200G | 34.93 | 12.07 (0.475) | 8.89 (0.350) | 3.10 (0.122) |

Board Level Cooling – Slide On 5740

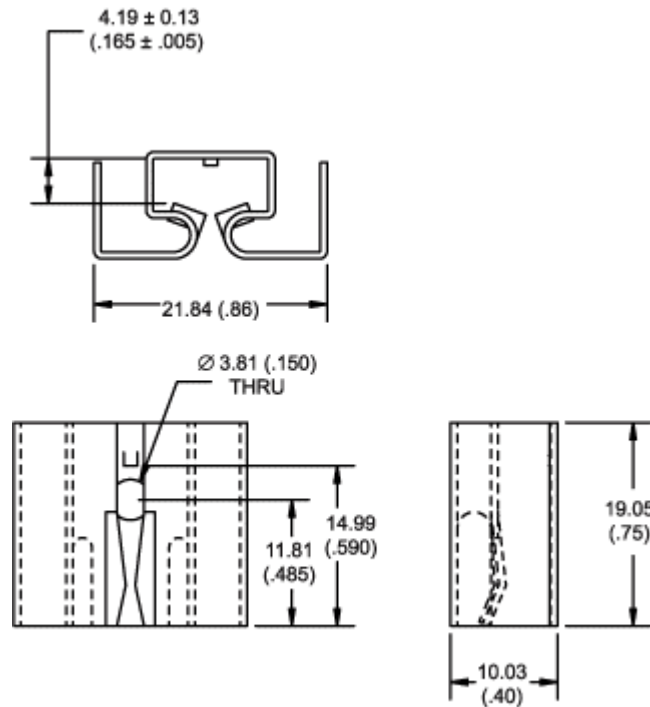
Part Number: 574402B03200G



Mounting Details:



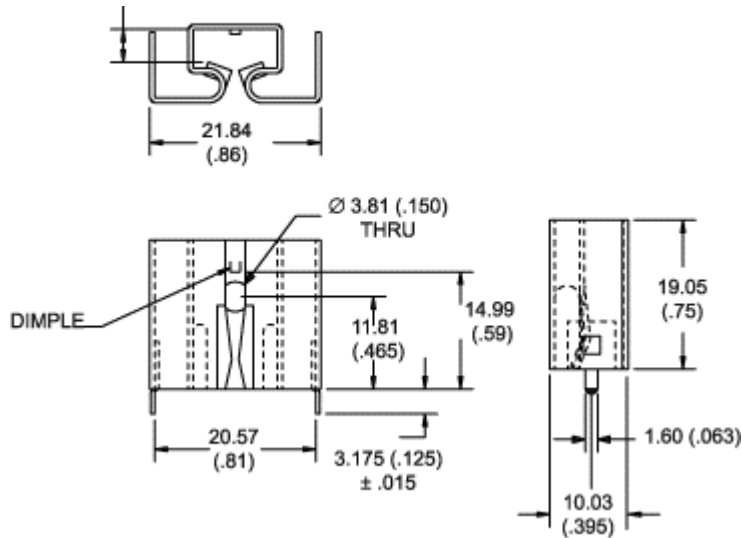
Part Number: 574502B00000G



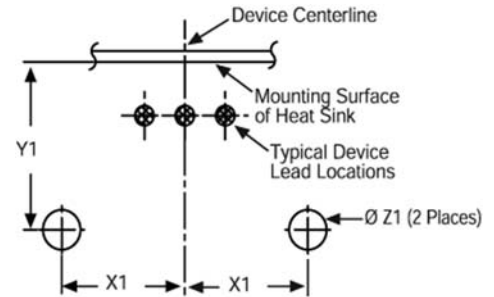
Board Level Cooling – Slide On 5740

4.19 (.165) ± .005

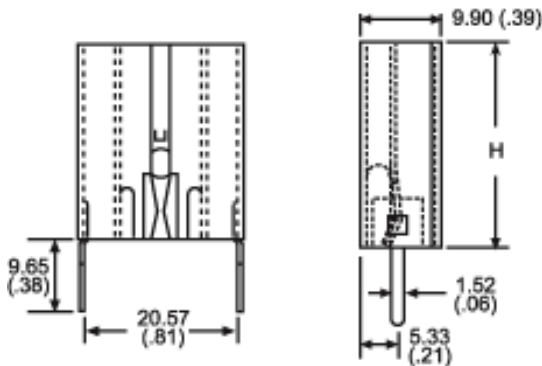
Part Number: 574502B03200G



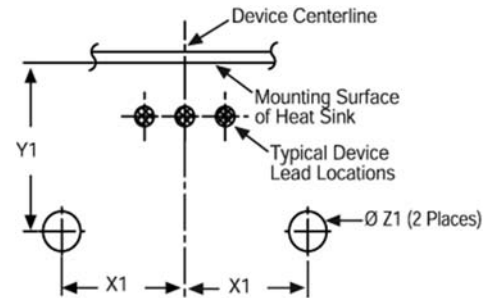
Mounting Details:



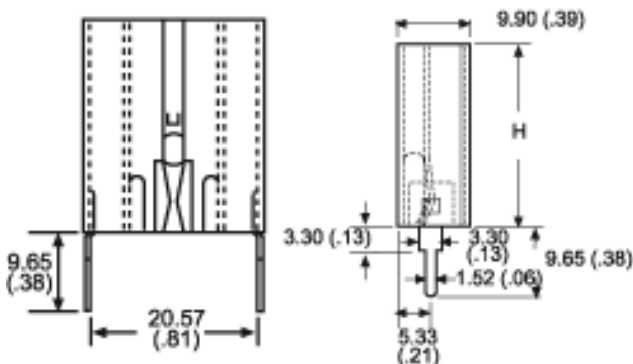
Part Number: 574502B03300G



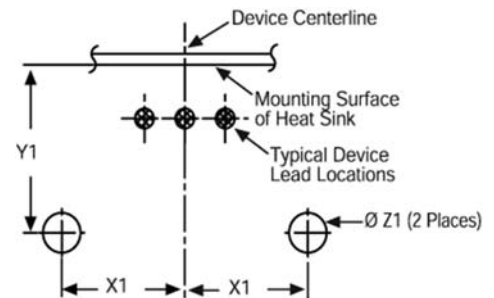
Mounting Details:



Part Number: 574502B03700G

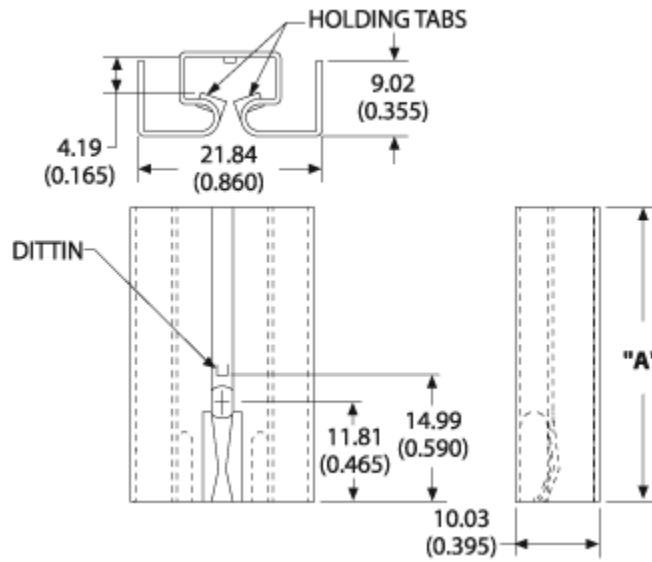


Mounting Details:

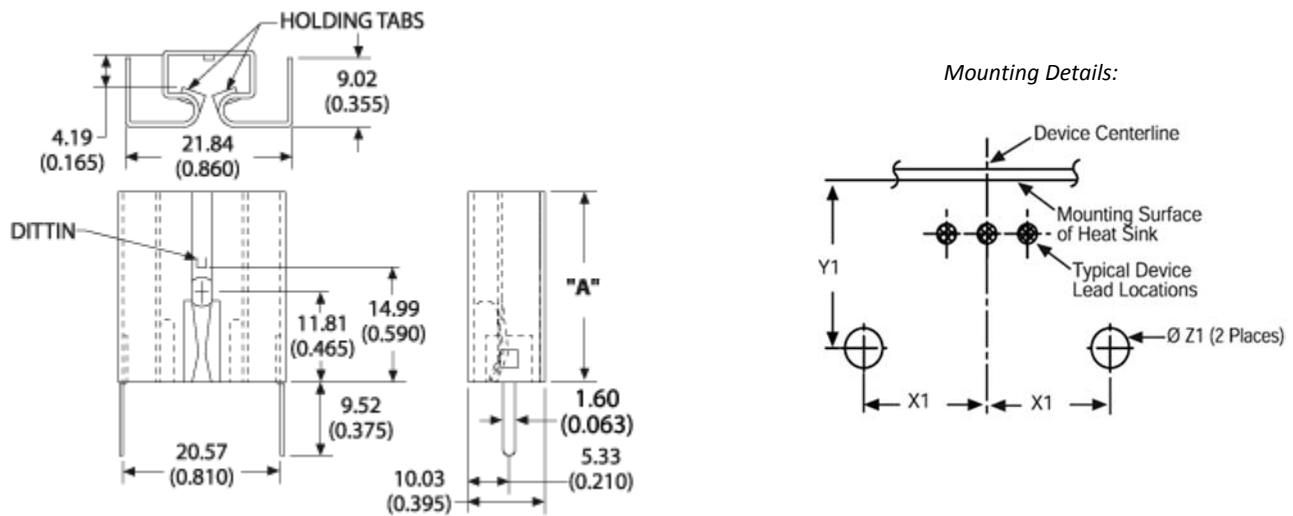


Board Level Cooling – Slide On 5740

Part Number: 574602B00000G

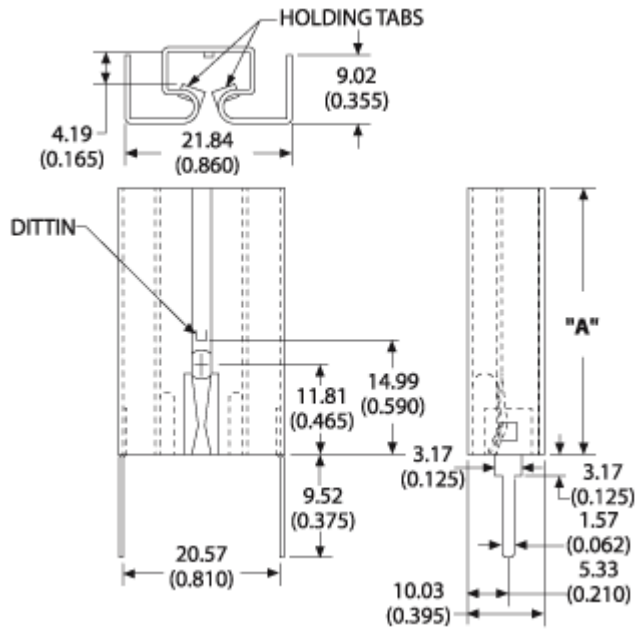


Part Number: 574602B03300G

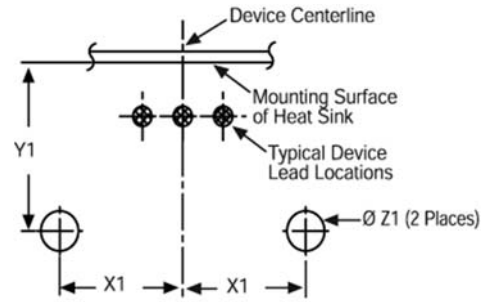


Board Level Cooling – Slide On 5740

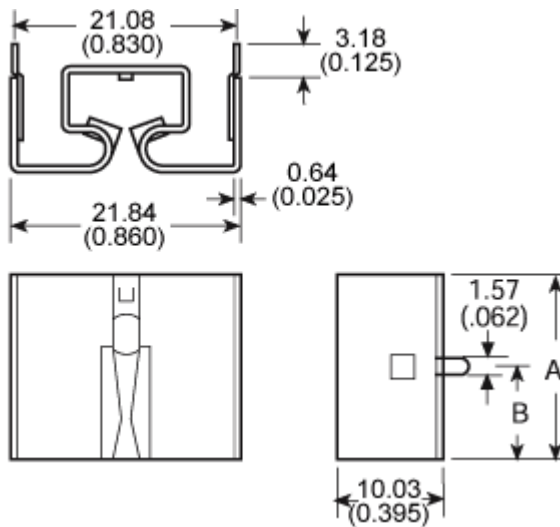
Part Number: 574602B03700G



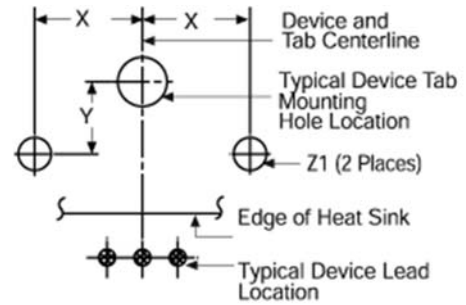
Mounting Details:



Part Number: 578902B03200G

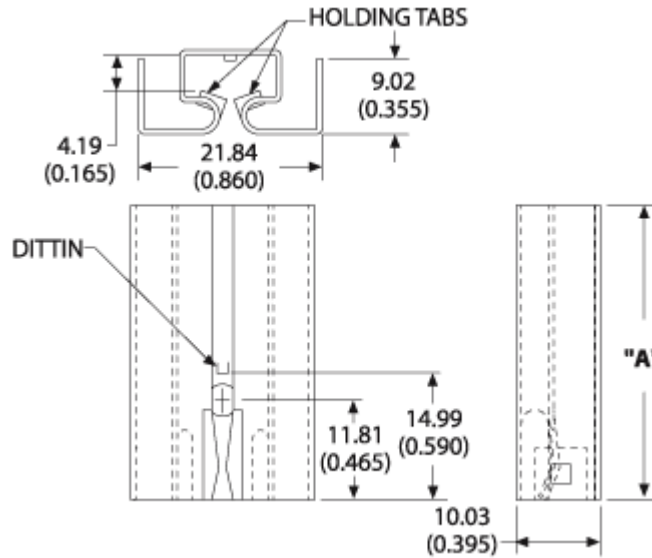


Mounting Details:

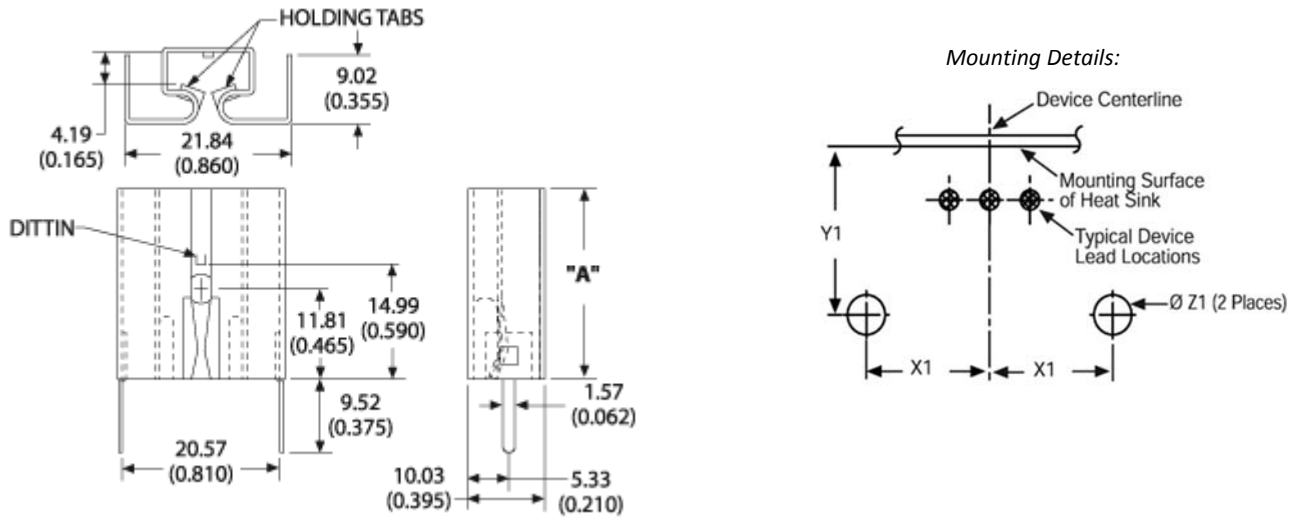


Board Level Cooling – Slide On 5740

Part Number: 574902B00000G

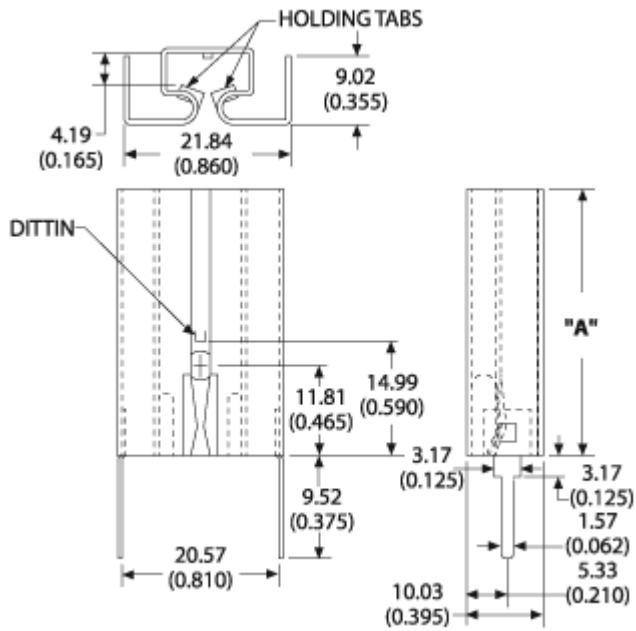


Part Number: 574902B03300G

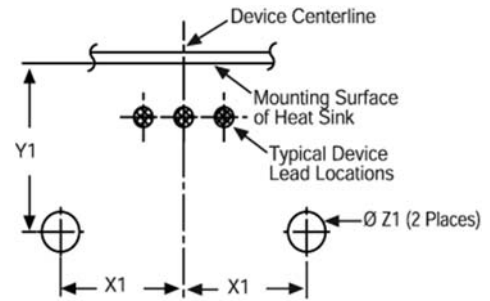


Board Level Cooling – Slide On 5740

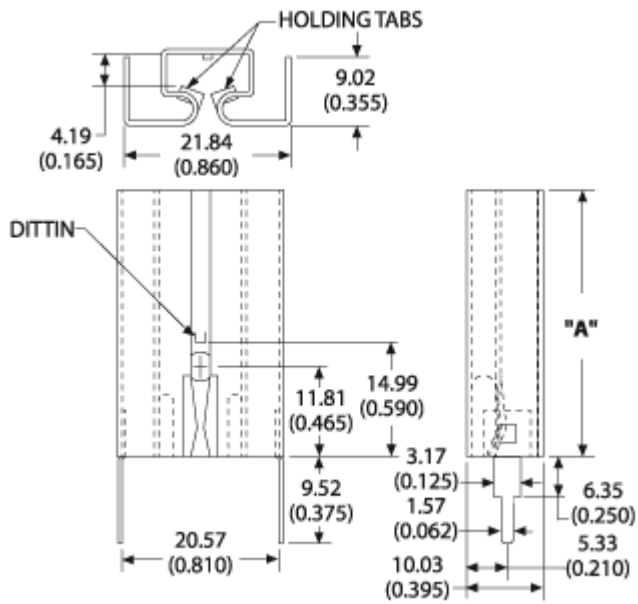
Part Number: 574902B03700G



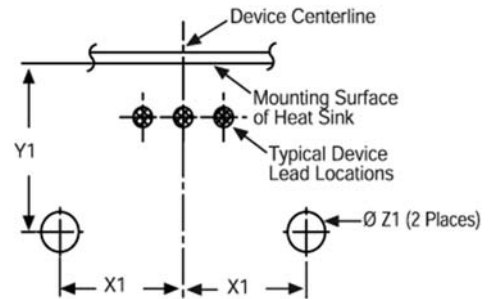
Mounting Details:



Part Number: 574902B04300G



Mounting Details:



Board Level Cooling – Slide On 5740

