



BOARD LEVEL COOLING – Twin Channel 5786

Twin Channel 5786 is a series of twin channel board level heat sinks designed to cool TO-220 and TO-220-single gauge devices. Representative image only.

ORDERING INFORMATION

Part Number	Device Type
578622B00000G	TO-220, TO-220-single gauge
578622B03200G	TO-220, TO-220-single gauge



HEAT SINK DETAILS

Property	Details
Material	Aluminum
Finish	Black Anodize
Device Attachment Options	Requires Mounting Kit
Thermal Interface Material	-

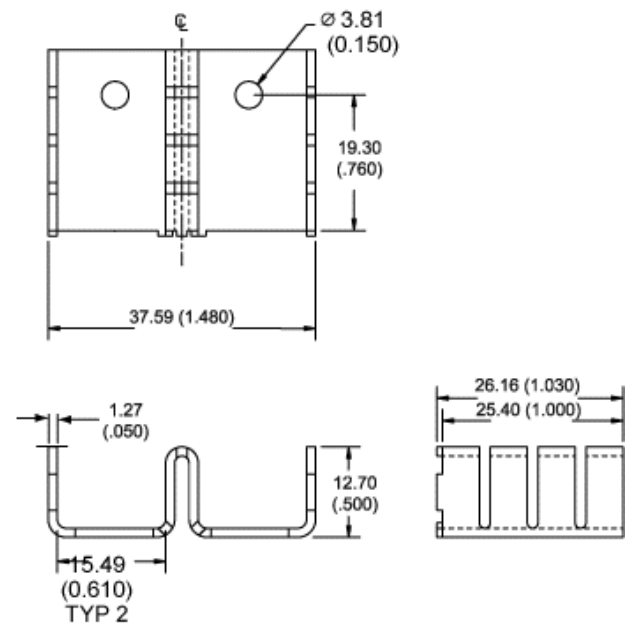
Property	Details
Heat Sink Width (mm)	37.59
Heat Sink Length (mm)	12.70
Heat Sink Height (mm)	25.40
Heat Sink Mounting Direction	Vertical

MECHANICAL & PERFORMANCE

Drawing dimensions are shown in mm, (in)

Part Number	"X" Dim	"XT" Dim	"Y" Dim	"Z" Dim
578622B00000G	-	-	-	-
578622B03200G	8.13 (0.320)	19.30 (0.760)	5.08 (0.200)	1.91 (0.075)

Part Number: 578622B00000G



Board Level Cooling – Twin Channel 5786

Part Number: 578622B03200G

