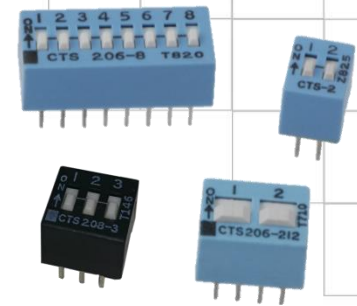




Series 206/208

Through-Hole DIP Switch

- Available with SPST, SPDT, DPST, 3PST circuitry choices
- Available with low profile, standard, or extended actuator heights. Consult the ordering information for options.
- RoHS compliant
- Optional top tape seal for board spray washing



Description

The terminals are molded into the thermoset base and provide an electrostatic discharge shield rating to 22KV when the OFF side terminals are connected to ground. The optimized contact design incorporating a dimple-to-flat surface wiping interface provides long-term contact corrosion resistance making this the ideal choice for any HVAC, server, or security system.

Ordering Information

| Series | Number of Poles | Number of Throws | Number of Switch Positions | Actuator Height | Bottom Epoxy Seal | Top Tape Seal | Actuation Preset |
|------------|-----------------|------------------|----------------------------|-----------------|-------------------|---------------|------------------|
| 206-/208 - | 1 | 2 | 1 | E | S | T | N |

| Code | No. of poles |
|-------|--------------|
| Blank | For SPST |
| 1 | Single pole |
| 2 | Double pole |
| 3 | 3 poles |

| Code | No. of switch positions |
|------|-------------------------|
| 1 | 1 position |
| 2 | 2 positions |
| 3 | 3 positions |
| 4 | 4 positions |
| 5 | 5 positions |
| 6 | 6 positions |
| 7 | 7 positions |
| 8 | 8 positions |
| 9 | 9 positions |
| 10 | 10 positions |
| 12 | 12 positions |

| Code | Spec. |
|-------|--------------|
| Blank | For SPST |
| 1 | Single throw |
| 2 | Double throw |

| Code | Spec. |
|-------|--|
| Blank | Standard (0.89mm/.035") |
| E | Extended (3.43mm/.135") (SPST only) |
| LP | Low profile (Flush) (SPST & SPDT only) |

| Code | Bottom epoxy seal |
|-------|----------------------------------|
| Blank | No epoxy seal |
| S | Epoxy seal (Required for 206-1S) |

| Code | Spec. |
|-------|--|
| BLANK | Ship at OFF position |
| N | Ship at ON position (SPST, DPST & 3PST only) |

| Code | Top tape seal |
|-------|---|
| Blank | No top tape seal |
| T | Top tape seal (Not available for extended actuator or 1-position SPST DIP switch) |

Notes: 1.Contact CTS for other common features not listed.
 2. Alternate numbering format 20600/20800... instead of 206-/208-
 Example: 206008ST



Electrical Specifications

| Parameter | Conditions & Remarks | Min | Max | Unit |
|--------------------------|-----------------------------------|------|-----|-----------|
| Contact Resistance (206) | Initial | | 50 | milliohms |
| | At end of life | | 100 | |
| Contact Resistance (208) | Initial | | 100 | milliohms |
| | At end of life | | 500 | |
| Insulation Resistance | Between insulated terminals | 1000 | | Megohms |
| Dielectric Strength | 500 VAC between adjacent switches | | 1 | minute |
| Switch Capacitance | Between adjacent closed switches | | 5.0 | pF |
| Nonswitching Rating | | | 100 | mA |
| | | | 50 | or VDC |
| Circuit | SPST | 1 | 12 | Position |
| | SPDT | 1 | 6 | Position |
| | DPST | 1 | 6 | Position |
| | 3PST | 1 | 4 | Position |

Mechanical and Environmental

| | |
|-----------------------------|--|
| Actuation Life (206) | 10,000 cycles switching 50mA @ 24VDC |
| Actuation Life (208) | 2,000 cycles switching 50mA @ 24VDC |
| Soldering | Maximum wave temperature, 260°C for 5 seconds |
| Shock | Per MIL-STD-202F, method 213B, condition A(50G's) with no contact inconsistencies greater than 1 microsecond |
| Vibration | Per MIL-STD-202F, method 204D, condition B (.06" or 15G's between 10 HZ to 2K HZ) with no contact inconsistencies greater than 1 microsecond |
| Seal | Bottom epoxy seal optional Optional top tape seal for board spray washing |
| Marking | Special side or top marking available-consult CTS |
| Packaging: | Standard anti-static tube packaging |
| Operating Temperature Range | -55°C to +85°C |
| Storage Temperature Range | -55°C to +85°C |

Mechanical Specifications

Figure 1 - SPST

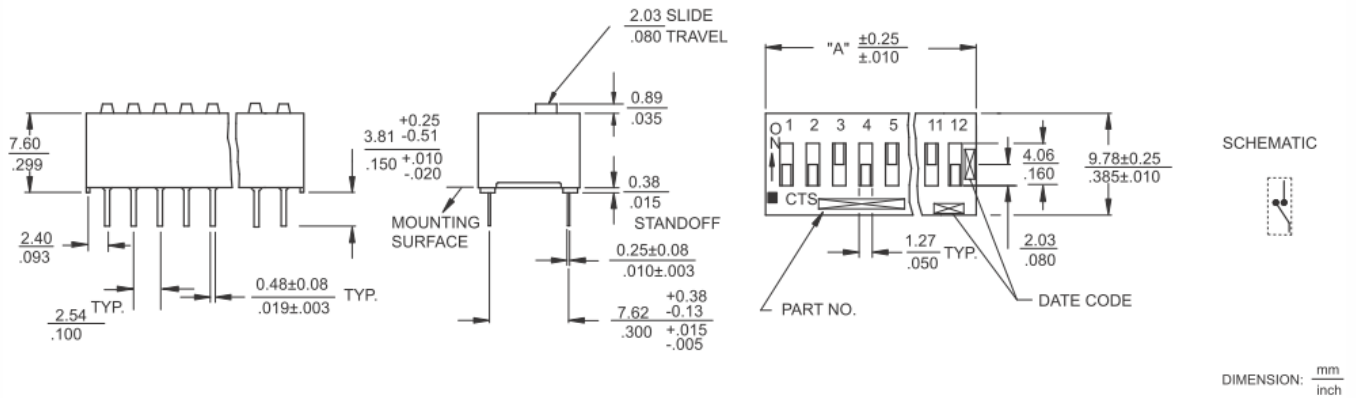


Figure 2 – SPDT

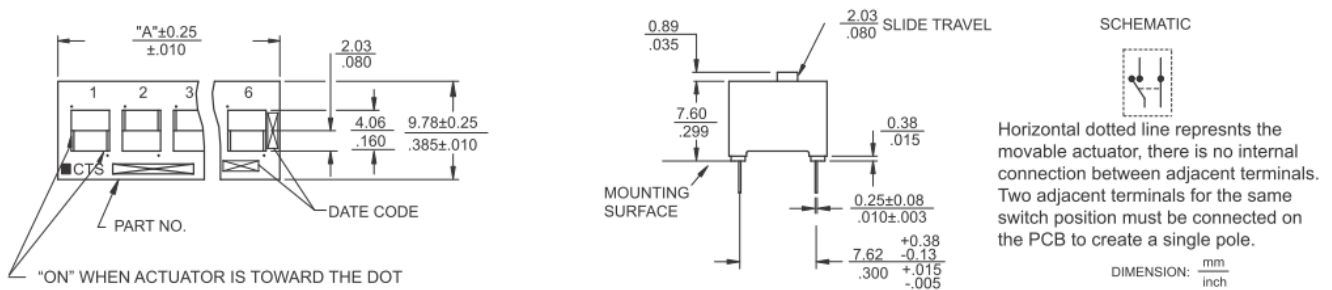


Figure 3 – DPST

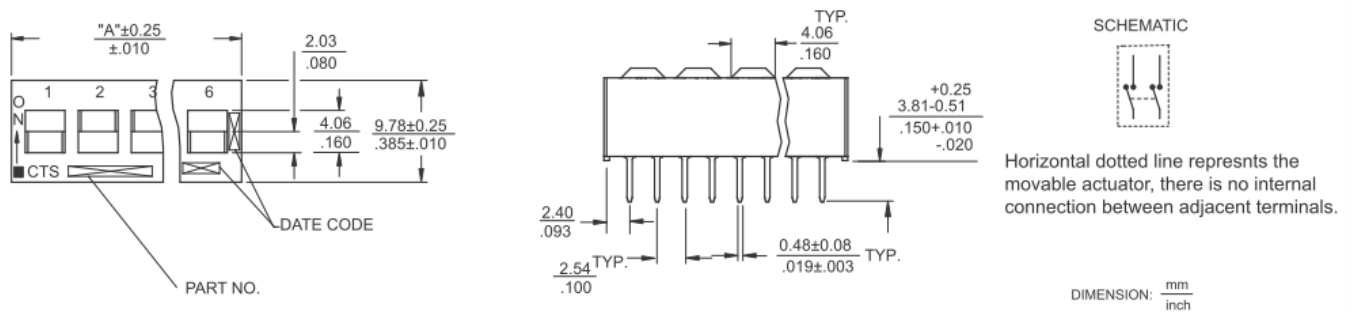


Figure 4 - 3PST

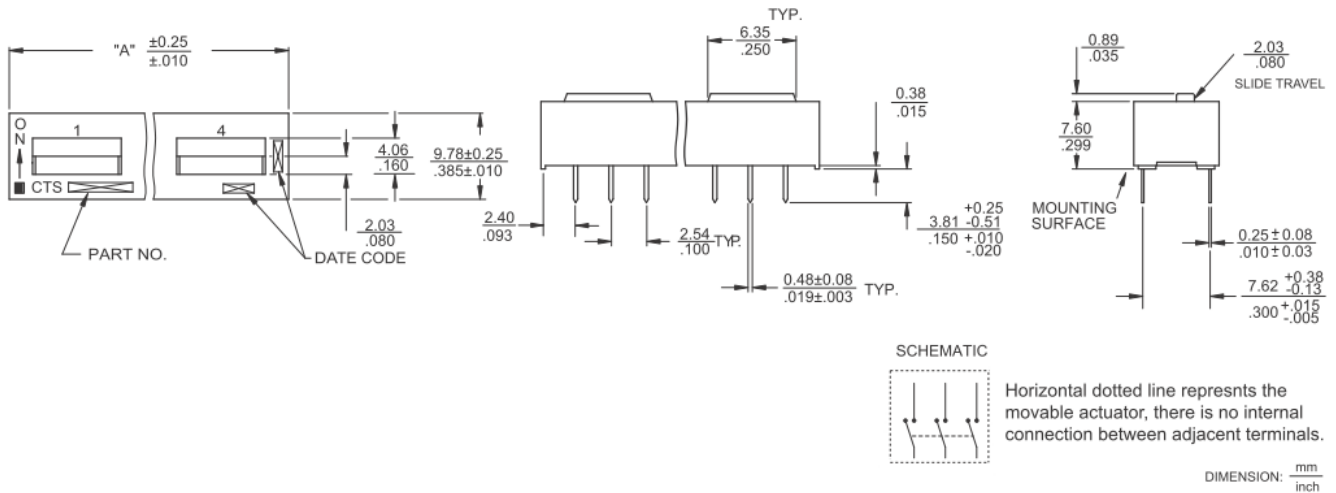


Figure 5 – Low Profile Actuators (SPST & SPDT only)

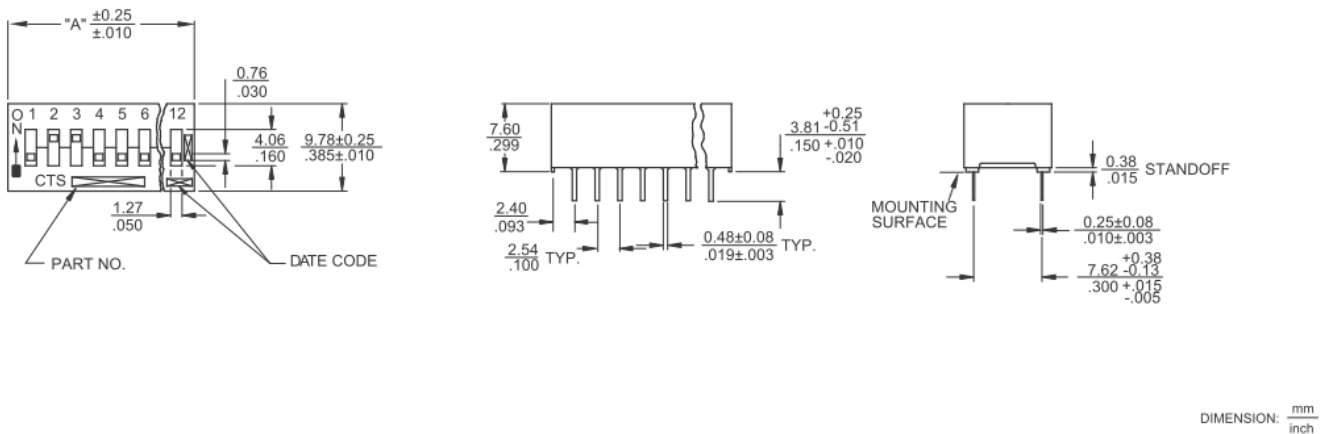
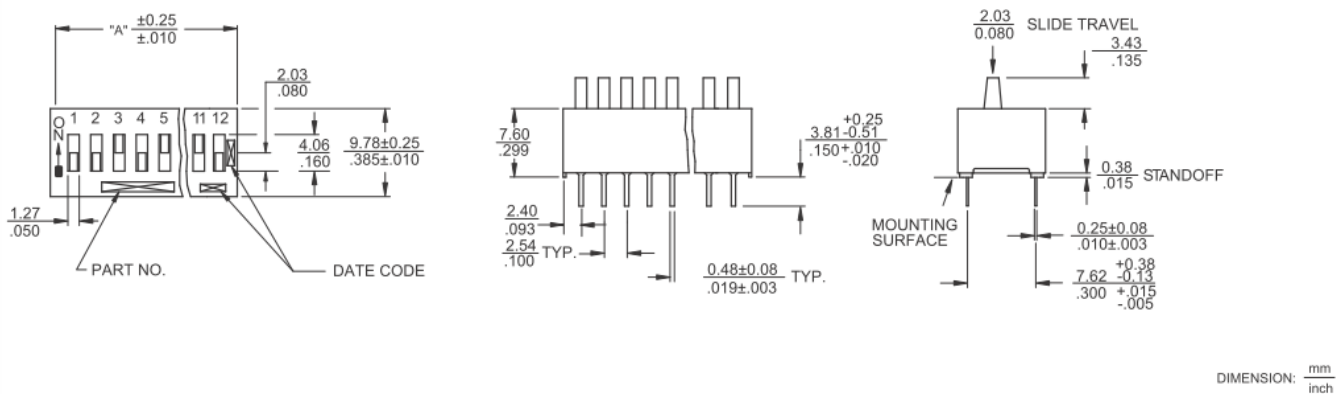


Figure 6 – Extended Actuators (SPST only)





Series 206/208
Through-Hole DIP Switch

| "A" Overall Dimensions | Number of Switch Positions | Actuation | Part Number | Both Bottom and Top Sealed | Low Profile Both Bottom and Top Sealed |
|------------------------|----------------------------|-----------|-------------|----------------------------|--|
| 3.96 / .156 | 2 | SPST | 206/208-1S | - | - |
| 7.26 / .286 | 2 | SPST | 206/208-2 | 206/208-2ST | 206/208-2LPST |
| 9.80 / .386 | 3 | SPST | 206/208-3 | 206/208-3ST | 206/208-3LPST |
| 12.34 / .486 | 4 | SPST | 206/208-4 | 206/208-4ST | 206/208-4LPST |
| 14.88 / .586 | 5 | SPST | 206/208-5 | 206/208-5ST | 206/208-5LPST |
| 17.42 / .686 | 6 | SPST | 206/208-6 | 206/208-6ST | 206/208-6LPST |
| 19.96 / .786 | 7 | SPST | 206/208-7 | 206/208-7ST | 206/208-7LPST |
| 22.50 / .886 | 8 | SPST | 206/208-8 | 206/208-8ST | 206/208-8LPST |
| 25.04 / .986 | 9 | SPST | 206/208-9 | 206/208-9ST | 206/208-9LPST |
| 27.58 / 1.086 | 10 | SPST | 206/208-10 | 206/208-10ST | 206/208-10LPST |
| 32.66 / 1.286 | 12 | SPST | 206/208-12 | 206/208-12ST | 206/208-12LPST |
| 7.26 / .286 | 1 | SPDT | 206-121 | 206-121ST | 206/208-121LPST |
| 12.34 / .486 | 2 | SPDT | 206-122 | 206-122ST | 206/208-122LPST |
| 17.42 / .686 | 3 | SPDT | 206-123 | 206-123ST | 206/208-123LPST |
| 22.50 / .886 | 4 | SPDT | 206-124 | 206-124ST | 206/208-124LPST |
| 27.58 / 1.086 | 5 | SPDT | 206-125 | 206-125ST | 206/208-125LPST |
| 32.66 / 1.286 | 6 | SPDT | 206-126 | 206-126ST | 206/208-126LPST |
| 7.26 / .286 | 1 | DPST | 206-211 | 206-211ST | |
| 12.34 / .486 | 2 | DPST | 206-212 | 206-212ST | |
| 17.42 / .686 | 3 | DPST | 206-213 | 206-213ST | |
| 22.50 / .886 | 4 | DPST | 206-214 | 206-214ST | |
| 27.58 / 1.086 | 5 | DPST | 206-215 | 206-215ST | |
| 32.66 / 1.286 | 6 | DPST | 206-216 | 206-216ST | |
| 9.80 / .386 | 1 | 3PST | 206-311 | 206-311ST | |
| 17.42 / .686 | 2 | 3PST | 206-312 | 206-312ST | |
| 25.04 / .986 | 3 | 3PST | 206-313 | 206-313ST | |
| 32.66 / 1.286 | 4 | 3PST | 206-314 | 206-314ST | |