

DATA SHEET

PCK2020

CK00 (100/133MHz) spread spectrum
differential system clock generator

Product specification
Supersedes data of 2000 Jul 25

2000 Nov 13

CK00 (100/133MHz) spread spectrum differential system clock generator

PCK2020

FEATURES

- 3.3 V operation
- Four differential CPU clock pairs
- Ten PCI clocks at 3.3 V
- Four 66 MHz clocks at 3.3 V
- Two 48 MHz clocks at 3.3 V
- Two 14.318 MHz reference clocks
- 100 or 133 MHz operation
- Power management control pins
- CPU clock skew less than 200 ps cycle-to-cycle
- CPU clock skew less than 150 ps pin-to-pin
- 1.5 ns to 3.5 ns delay on PCI pins
- Spread Spectrum capability

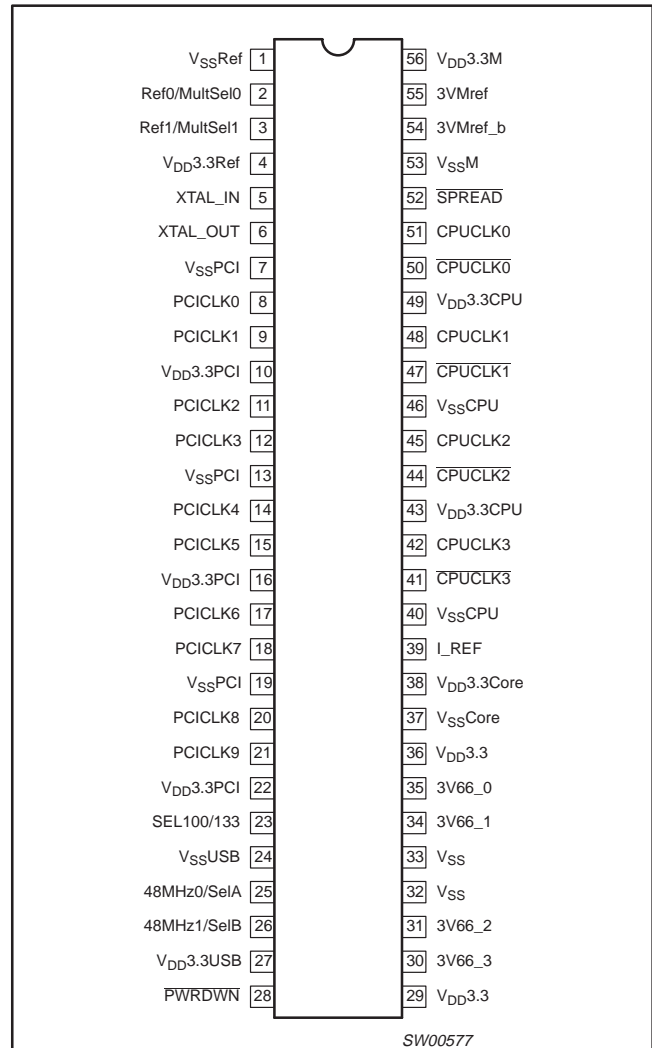
DESCRIPTION

The PCK2020 is a clock synthesizer/driver for a Pentium III and other similar processors.

The PCK2020 has four differential pair CPU current source outputs, two Mref clock outputs running at 1/2 the CPU clock frequency depending on the state of SEL133/100 pin and four 3V66 clocks running at 66 MHz. There are ten PCI clock outputs running at 33 MHz and two 48 MHz clocks. Finally, there are two 3.3 V reference clocks at 14.318 MHz. All clock outputs meet Intel's drive strength, rise/fall times, jitter, accuracy, and skew requirements.

The part possesses a dedicated power-down input pin for power management control. This input is synchronized on-chip and ensures glitch-free output transitions.

PIN CONFIGURATION



ORDERING INFORMATION

PACKAGES	TEMPERATURE RANGE (°C)	ORDER CODE	DRAWING NUMBER
56-Pin Plastic SSOP	0 to +70	PCK2020 DL	SOT371-1

Intel and Pentium are registered trademarks of Intel Corporation.

CK00 (100/133MHz) spread spectrum differential system clock generator

PCK2020

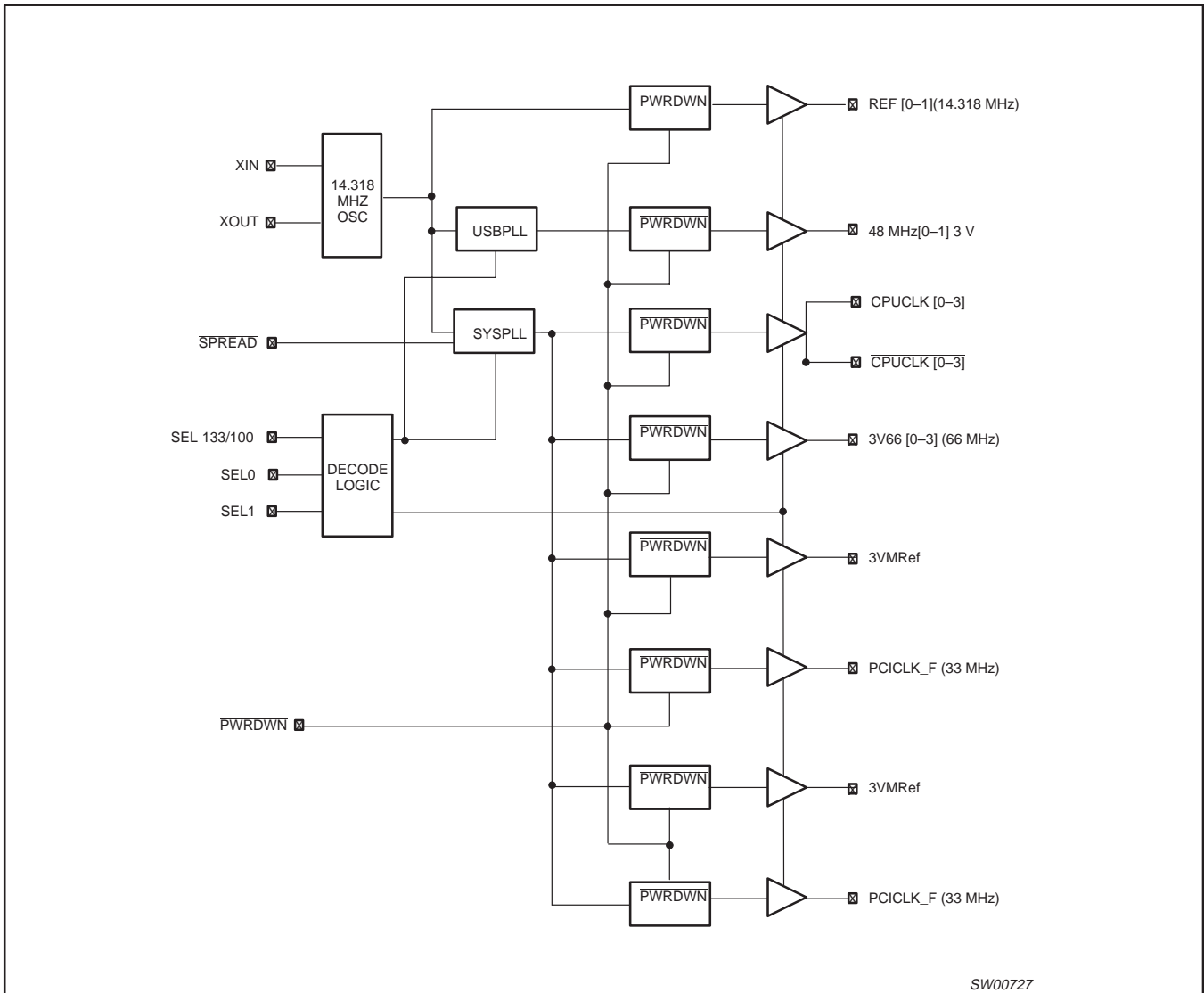
PIN DESCRIPTION

PIN NUMBER	SYMBOL	FUNCTION
1	V _{SS} Ref	
2, 3	Ref0/MultSel0 Ref1/MultSel1	During power up, pins functions as a latched inputs that enables MULTSEL0 and MULTSEL1 prior to the pins being used for output of 3 V at 14.318 MHz. Part must be clocked to latch data in.
4	V _{DD} 3.3Ref	
5	XTAL_IN	Crystal input
6	XTAL_OUT	Crystal output
7, 13, 19	V _{SS} PCI	
8, 9, 11, 12, 14, 15, 17, 18, 20, 21	PCICLK[0–9]	3.3 V PCI clock outputs fixed at 33 MHz.
10, 16, 22	V _{DD} 3.3PCI	
23	SEL100/133	Select input pin for enabling 133 MHz or 100 MHz CPU outputs.
24	V _{SS} USB	
25, 26	48 MHz/SelA 48 MHz/SelB	3.3 V fixed 48 MHz clock outputs. During power up, pins functions as latched inputs that enables SELA and SELB prior to the pins being used for output of 3 V at 48 MHz. Part must be clocked to latch data in.
27	V _{DD} 3.3USB	
28	PWRDWN	Device enters power down mode when held low. Asserts low.
29, 36	V _{DD} 3.3	
30, 31, 34, 35	3V66[0–3]	3.3 V fixed 66 MHz CPU clock outputs.
32, 33	V _{SS}	
37	V _{SS} Core	
38	V _{DD} 3.3Core	3.3 V power supply for analog circuits.
39	I_REF	This pin controls the reference current for the host pairs. This pin requires a fixed precision resistor tied to ground in order to establish the correct current.
40, 46	V _{SS} CPU	
41, 44, 47, 50	CPUCLK[0–3]	
42, 45, 48, 51	CPUCLK[0–3]	
43, 49	V _{DD} 3.3CPU	
52	SPREAD	Enables spread spectrum mode when held low on differential host outputs, MREF/MREF_B clocks, 66 MHz clocks, and 33 MHz PCI clocks. Asserts low.
53	V _{SS} M	
54	3VMref_b	3.3 V clock outputs running at 1/2 CPU clock frequency. 66 MHz or 50 MHz depending on the state of input pin SEL133/100. (Out of phase with 3VMREF output).
55	3VMref	3.3 V clock outputs running at 1/2 CPU clock frequency. 66 MHz or 50 MHz depending on the state of input pin SEL133/100.
56	V _{DD} 3.3M	3.3 V power supply

CK00 (100/133MHz) spread spectrum differential system clock generator

PCK2020

BLOCK DIAGRAM



CK00 (100/133MHz) spread spectrum differential system clock generator

PCK2020

FUNCTION TABLES

SEL 100/133	SELA	SELB	HOST	M _{REF}	3V66	3V33 PCI	48 MHz	REF
0	0	0	100 MHz	50 MHz	66.7 MHz	33.3 MHz	48 MHz	14.318 MHz
0	0	1	105 MHz ¹	52.5 MHz ¹	70 MHz ¹	35 MHz ¹	48 MHz	14.318 MHz
0	1	0	200 MHz	50 MHz	66.7 MHz	33.3 MHz	N/A	N/A
0	1	1	HI-Z	HI-Z	HI-Z	HI-Z	HI-Z	HI-Z
1	0	0	133 MHz	66.7 MHz	66.7 MHz	33.3 MHz	48 MHz	14.318 MHz
1	0	1	126.7 MHz ¹	63.3 MHz ¹	63.3 MHz ¹	31.7 MHz ¹	48 MHz	14.318 MHz
1	1	0	200 MHz	66.7 MHz	66.7 MHz	33.3 MHz	48 MHz	14.318 MHz
1	1	1	TCLK/2	TCLK/4	TCLK/4	TCLK/8	TCLK/2	TCLK

NOTE:

1. These frequencies are for debug and thus can vary a small amount from the values listed at the vendor's discretion.

SEL 100/133	SELA	SELB	HOST
0	0	0	Active 100 MHz
0	0	1	Active 100 MHz – ~5% over-clock
0	1	0	200 MHz, 50 MHz M _{REF}
0	1	1	HI-Z all outputs
1	0	0	Active 133 MHz
1	0	1	Active 133.3 MHz minus ~5 under-clock
1	1	0	200 MHz, 66 MHz M _{REF}
1	1	1	Test mode

POWER DOWN MODE

PWRDWN	HOST/HOST_BAR	MREF/MREF_B	3V66	PCI	48 MHz	REF	14.318/66 MHz Seeds
Asserts low 0 = Active	HOST = 2*I _{REF} HOST_BAR	LOW	LOW	LOW	LOW	OFF	LOW/(if applicable)

NOTE:

1. The differential outputs should have a voltage forced across them when power down is asserted.

SPREAD SPECTRUM FUNCTION TABLE

SPREAD	FUNCTION	48 MHz PLL REF/MULTSEL0 REF/MULTSEL1
1	HOST/PCI/3V66/M _{REF} /M _{REF_B} No spread	No spread
0	HOST/PCI/3V66/M _{REF} /M _{REF_B} Down spread -0.5%	No spread

CK00 (100/133MHz) spread spectrum differential system clock generator

PCK2020

HOST SWING SELECT FUNCTIONS – TABLE 1

MULTSEL0	MULTSEL1	BOARD IMPEDANCE	I_{REF}	I_{OH}	V_{OH} @ $I_{REF} = 2.32$ mA
0	0	60 Ω	$R_{REF} = 475$ 1% $I_{REF} = -2.32$ mA	$I_{OH} = 5 * I_{REF}$	0.71 V
0	0	50 Ω	$R_{REF} = 475$ 1% $I_{REF} = -2.32$ mA	$I_{OH} = 5 * I_{REF}$	0.59 V
0	1	60 Ω	$R_{REF} = 475$ 1% $I_{REF} = -2.32$ mA	$I_{OH} = 6 * I_{REF}$	0.85 V
0	1	50 Ω	$R_{REF} = 475$ 1% $I_{REF} = -2.32$ mA	$I_{OH} = 6 * I_{REF}$	0.71 V
1	0	60 Ω	$R_{REF} = 475$ 1% $I_{REF} = -2.32$ mA	$I_{OH} = 4 * I_{REF}$	0.56 V
1	0	50 Ω	$R_{REF} = 475$ 1% $I_{REF} = -2.32$ mA	$I_{OH} = 4 * I_{REF}$	0.47 V
1	1	60 Ω	$R_{REF} = 475$ 1% $I_{REF} = -2.32$ mA	$I_{OH} = 7 * I_{REF}$	0.99 V
1	1	50 Ω	$R_{REF} = 475$ 1% $I_{REF} = -2.32$ mA	$I_{OH} = 7 * I_{REF}$	0.82 V
0	0	30 Ω	$R_{REF} = 221$ 1% $I_{REF} = -5$ mA	$I_{OH} = 5 * I_{REF}$	0.75 V
0	0	25 Ω	$R_{REF} = 221$ 1% $I_{REF} = -5$ mA	$I_{OH} = 5 * I_{REF}$	0.62 V
0	1	30 Ω	$R_{REF} = 221$ 1% $I_{REF} = -5$ mA	$I_{OH} = 6 * I_{REF}$	0.90 V
0	1	25 Ω	$R_{REF} = 221$ 1% $I_{REF} = -5$ mA	$I_{OH} = 6 * I_{REF}$	0.75 V
1	0	30 Ω	$R_{REF} = 221$ 1% $I_{REF} = -5$ mA	$I_{OH} = 4 * I_{REF}$	0.60 V
1	0	25 Ω	$R_{REF} = 221$ 1% $I_{REF} = -5$ mA	$I_{OH} = 4 * I_{REF}$	0.50 V
1	1	30 Ω	$R_{REF} = 221$ 1% $I_{REF} = -5$ mA	$I_{OH} = 7 * I_{REF}$	1.05 V
1	1	25 Ω	$R_{REF} = 221$ 1% $I_{REF} = -5$ mA	$I_{OH} = 7 * I_{REF}$	0.84 V

NOTE:

1. In Table 1, the outputs are optimized for the configurations in **bold**.

	CONDITIONS	CONFIGURATION	LOAD	MIN.	MAX.
I_{OUT}	$V_{DD} = 3.3$ V	All combinations, see Table 1	Nominal test load for given configuration	-7% of I_{OH} See Table 1	+7% of I_{OH} See Table 1
I_{OUT}	$V_{DD} = 3.3$ V $\pm 5\%$	All combinations, see Table 1	Nominal test load for given configuration	-12% of I_{OH} See Table 1	+12% of I_{OH} See Table 1

CK00 (100/133MHz) spread spectrum differential system clock generator

PCK2020

ABSOLUTE MAXIMUM RATINGS^{1, 2}

SYMBOL	PARAMETER	CONDITION	LIMITS		UNIT
			MIN	MAX	
V _{DD3}	DC 3.3 V supply		-0.5	+4.6	V
I _{IK}	DC input diode current	V _I < 0		-50	mA
V _I	DC input voltage	Note 2			V
I _{OK}	DC output diode current	V _O > V _{DD} or V _O < 0		±50	mA
V _O	DC output voltage	Note 2	-0.5	V _{DD} + 0.5	V
I _O	DC output source or sink current	V _O = 0 to V _{DD}		±50	mA
T _{STG}	Storage temperature range		-65	+150	°C
P _{TOT}	Power dissipation per package plastic medium-shrink (SSOP)	For temperature range: -40 to +125°C above +55°C derate linearly with 11.3 mW/K		850	mW

NOTES:

- Stresses beyond those listed may cause permanent damage to the device. These are stress ratings only and functional operation of the device at these or any other conditions beyond those indicated under "Recommended Operating Conditions" is not implied. Exposure to absolute-maximum-rated conditions for extended periods may affect device reliability.
- The input and output voltage ratings may be exceeded if the input and output current ratings are observed.

RECOMMENDED OPERATING CONDITIONS

SYMBOL	PARAMETER	CONDITIONS	LIMITS		UNIT
			MIN	MAX	
V _{DD3}	DC 3.3 V supply voltage		3.135	3.465	V
A _{VDD}	DC 3.3 V analog supply voltage		3.135	3.465	V
C _L	Capacitive load on:				
	PCICLK	Must meet PCI 2.1 requirements	10	30	pF
	3V66	1 device load, possible 2 loads	10	30	pF
	48 MHz clock	1 device load	10	20	pF
	REF	1 device load	10	20	pF
	M _{REF} M _{REF_BAR}	1 device load	10	30	pF
f _{REF}	Reference frequency, oscillator normal value		14.31818	14.31818	MHz
T _{amb}	Operating ambient temperature range in free air		0	+70	°C

POWER MANAGEMENT

CONDITION	MAXIMUM 3.3 V SUPPLY CONSUMPTION MAXIMUM DISCRETE CAP LOADS, V _{DDL} = 3.465 V ALL STATIC INPUTS = V _{DD3} OR V _{SS}
Power-down mode (PWRDWN = 0)	60 mA
Full active 100/133 MHz	250 mA

CK00 (100/133MHz) spread spectrum differential system clock generator

PCK2020

DC CHARACTERISTICS

SYMBOL	PARAMETER	TEST CONDITIONS			LIMITS			UNIT
					T _{amb} = 0°C to +70°C			
		V _{DD} (V)	OTHER		MIN	TYP	MAX	
V _{IH}	HIGH level input voltage	3.135 to 3.465			2.0		V _{DD3} + 0.3	V
V _{IL}	LOW level input voltage	3.135 to 3.465			V _{SS} - 0.3		0.8	V
V _{OH3}	3.3 V output HIGH voltage REF, 3V48M, 3V66, MREF, MREF_BAR, 48 MHz	3.135 to 3.465	I _{OH} = -1 mA		2.0		-	V
V _{OL3}	3.3 V output LOW voltage REF, 3V48M, 3V66, MREF, MREF_BAR, 48 MHz	3.135 to 3.465	I _{OH} = 1 mA		-		0.4	V
V _{OHP}	3.3 V output HIGH voltage PCI	3.135 to 3.465	I _{OH} = -1 mA		2.4		-	V
V _{OLP}	3.3 V output LOW voltage PCI	3.135 to 3.465	I _{OH} = 1 mA		-		0.55	V
I _{OH}	PCI, 3V66 3VMREF 3VMREF_BAR output HIGH current	3.135	V _{OUT} = 1.0 V	Type 5 12-55 Ω	-33			mA
		3.465	V _{OUT} = 3.135 V				-33	
I _{OH}	48 MHz, REF output HIGH current	3.135	V _{OUT} = 1.0 V	Type 3 20-60 Ω	-29			mA
		3.465	V _{OUT} = 3.135 V				-23	
I _{OH}	HOST/HOST_BAR OUTPUT CURRENT	3.135 to 3.465	0.66 V	Type X1	-11			mA
			0.76 V				-12.7	
I _{OL}	PCI, 3V66 3VMREF 3VMREF_BAR output LOW current	3.135	V _{OUT} = 1.95 V	Type 5 12-55 Ω	30			mA
		3.465	V _{OUT} = 0.4 V				38	
I _{OL}	48 MHz, REF output LOW current	3.135	V _{OUT} = 1.95 V	Type 3 20-60 Ω	29			mA
		3.465	V _{OUT} = 0.4 V				27	
V _{OL}	HOST/HOST_BAR	V _{SS} = 0.0	R _s = 33.2 Ω R _p = 49.9 Ω	Type X1	0.0		0.05	V
±I _I	Input leakage current	3.365	0 < V _{IN} < V _{DD3}		-5		5	μA
±I _{OZ}	3-State output OFF-State current	3.465	V _{OUT} = V _{DD} or GND	I _O = 0			10	μA
C _{in}	Input pin capacitance						5	pF
C _{xtal}	Crystal input capacitance				13.5		22.5	pF
C _{out}	Output pin capacitance						6	pF

NOTE:

- All clock outputs loaded with maximum lump capacitance test load specified in AC characteristics section.

CK00 (100/133MHz) spread spectrum differential system clock generator

PCK2020

AC CHARACTERISTICS

 $V_{DD3} = 3.3\text{ V} - 5\%$; $f_{\text{crystal}} = 14.31818\text{ MHz}$

HOST CLOCK OUTPUTS (SEE FIGURE 1 FOR WAVEFORMS AND FIGURE 6 FOR TEST SETUP)

SYMBOL	PARAMETER	LIMITS $T_{\text{amb}} = 0^{\circ}\text{C to } +70^{\circ}\text{C}$				UNITS	NOTES
		133 MHz MODE		100 MHz MODE			
		MIN	MAX	MIN	MAX		
T_{PKP}	HOST CLK period	7.5	7.65	10.0	10.2	ns	11, 14, 20
AbsMinPeriod	Absolute Minimum Host CLK Period	7.35	N/A	9.85	N/A	ns	11, 14, 20
T_{RISE}	HOST CLK rise time	175	700	175	700	ps	11, 15, 20
T_{FALL}	HOST CLK fall time	175	700	175	700	ps	11, 15, 20
T_{JITTER}	HOST CLK cycle-to-cycle jitter		200		200	ps	11, 12, 14, 20
DUTY CYCLE	Output duty cycle	45	55	45	55	%	11, 14, 20
T_{SKEW}	HOST CLK pin-to-pin skew		150		150	ps	11, 14, 20
Rise/Fall Matching	Rise and fall time matching		35%		35%		11, 16, 20
Vcrossover		45% V_{OH}	60% V_{OH}	45% V_{OH}	60% V_{OH}	V	11, 14, 20

MREF OUTPUTS

SYMBOL	PARAMETER	LIMITS $T_{\text{amb}} = 0^{\circ}\text{C to } +70^{\circ}\text{C}$				UNITS	NOTES
		133 MHz MODE		100 MHz MODE			
		MIN	MAX	MIN	MAX		
T_{PKP}	MREF period	15.0	15.3	20.0	20.4	ns	2, 9, 20
T_{PKH}	MREF HIGH time	5.25	N/A	7.5	N/A	ns	5, 10, 20
T_{PKL}	MREF LOW time	5.05	N/A	7.3	N/A	ns	6, 10, 20
T_{RISE}	MREF rise time	0.5	2.0	0.5	2.0	ns	8, 20
T_{FALL}	MREF fall time	0.5	2.0	0.5	2.0	ns	8, 20
T_{JITTER}	Cycle-to-cycle jitter		250		250	ps	18, 20
DUTY CYCLE	Output Duty Cycle	45	55	45	55	%	18, 20

3V66 OUTPUTS

SYMBOL	PARAMETER	LIMITS $T_{\text{amb}} = 0^{\circ}\text{C to } +70^{\circ}\text{C}$				UNIT	NOTES
		133 MHz MODE		100 MHz MODE			
		MIN	MAX	MIN	MAX		
T_{PKP}	3V66 period	15.0	16.0	15.0	16.0	ns	2, 4, 9, 20
T_{PKH}	3V66 HIGH time	5.25	N/A	5.25	N/A	ns	5, 10, 20
T_{PKL}	3V66 LOW time	5.05	N/A	5.05	N/A	ns	6, 10, 20
T_{RISE}	3V66 rise time	0.5	2.0	0.5	2.0	ns	8, 20
T_{FALL}	3V66 fall time	0.5	2.0	0.5	2.0	ns	8, 20
T_{JITTER}	Cycle-to-cycle jitter		300		300	ps	18, 20
DUTY CYCLE	Output Duty Cycle	45	55	45	55	%	18, 20
T_{SKEW}	Pin-to-pin skew		250		250	ps	20

CK00 (100/133MHz) spread spectrum differential system clock generator

PCK2020

PCI OUTPUTS

SYMBOL	PARAMETER	LIMITS $T_{amb} = 0^{\circ}\text{C to } +70^{\circ}\text{C}$				UNITS	NOTES
		133 MHz MODE		100 MHz MODE			
		MIN	MAX	MIN	MAX		
T_{PKP}	PCI period	30.0	N/A	30.0	N/A	ns	2, 3, 9, 20
T_{PKH}	PCI HIGH time	12.0	N/A	12.0	N/A	ns	5, 10, 20
T_{PKL}	PCI LOW time	12.0	N/A	12.0	N/A	ns	6, 10, 20
T_{RISE}	PCI rise time	0.5	2.0	0.5	2.0	ns	8, 20
T_{FALL}	PCI fall time	0.5	2.0	0.5	2.0	ns	8, 20
T_{JITTER}	Cycle-to-cycle jitter		500		500	ps	18, 20
DUTY CYCLE	Output Duty Cycle	45	55	45	55	%	18, 20
T_{SKEW}	Pin-to-pin skew		500		500	ps	18, 20

USB CLOCK OUTPUT, 48 MHz (LUMP CAPACITANCE TEST LOAD = 20 pF)

SYMBOL	PARAMETER	LIMITS $T_{amb} = 0^{\circ}\text{C to } +70^{\circ}\text{C}$				UNITS	NOTES
		48 MHz					
		MIN	MAX	MIN	MAX		
f	Frequency, Actual	48.008				MHz	
f_D	Deviation from 48 MHz	+167				ppm	
T_{HKL}	3V48MHZCLK LOW time	5.05	N/A	5.05	N/A	ns	20
T_{RISE}	3V48MHZCLK rise time	1.0	4.0	1.0	4.0	ns	8, 20
T_{FALL}	3V48MHZCLK fall time	1.0	4.0	1.0	4.0	ns	8, 20
T_{JITTER}	Cycle-to-cycle jitter		350		350	ps	18, 20
DUTY CYCLE	Output Duty Cycle	45	55	45	55	%	18, 20

REF CLOCK OUTPUT, (LUMP CAPACITANCE TEST LOAD = 20 pF)

SYMBOL	PARAMETER	LIMITS $T_{amb} = 0^{\circ}\text{C to } +70^{\circ}\text{C}$				UNITS	NOTES
		48 MHz					
		MIN	MAX	MIN	MAX		
f	Frequency, Actual	14.318				MHz	20
T_{HKL}	REF CLK LOW time	31.0	36.67	31.0	36.67	ns	20
T_{HKH}	REF CLK HIGH time	32.0	37.5	32.0	37.5	ns	20
T_{RISE}	REF CLK rise time	N/A	N/A	N/A	N/A	ns	8, 20
T_{FALL}	REF CLK fall time	N/A	N/A	N/A	N/A	ns	8, 20
T_{JITTER}	Cycle-to-cycle jitter		1000		1000	ps	18, 20
DUTY CYCLE	Output Duty Cycle	45	55	45	55	%	18, 20

ALL OUTPUTS

SYMBOL	PARAMETER	LIMITS $T_{amb} = 0^{\circ}\text{C to } +70^{\circ}\text{C}$				UNITS	NOTES
		133 MHz MODE		100 MHz MODE			
		MIN	MAX	MIN	MAX		
T_{pZL}, t_{pZH}	Output enable delay (all outputs)	1.0	10.0	1.0	10.0	ns	20
T_{pLZ}, t_{pZH}	Output disable delay (all outputs)	1.0	10.0	1.0	10.0	ns	20
T_{STABLE}	All clock Stabilization from Power-up		3		3	ms	7, 20

CK00 (100/133MHz) spread spectrum differential system clock generator

PCK2020

GROUP OFFSET LIMITS

GROUP	OFFSET	MEASUREMENT LOADS (LUMPED)	MEASURE POINTS	NOTES
3V66 to PCI	1.5–3.5 ns 3V66 leads	3V66 @ 30 pf PCI @ 30 pf	3V66 @ 1.5 V PCI @ 1.5 V	19, 20

NOTES:

- Output drivers must have monotonic rise/fall times through the specified V_{OL}/V_{OH} levels.
- Period, jitter, offset and skew measured on rising edge @ 1.25 V for 2.5 V clocks and @ 1.5 V for 3.3 V clocks.
- The PCI clock is the Host clock divided by four at Host = 133 MHz. PCI clock is the Host clock divided by three at Host = 100 MHz.
- 3V66 is internal VCO frequency divided by four for Host = 133 MHz. 3V66 clock is internal VCO frequency divided by three at Host = 100 MHz.
- T_{HKH} is measured at 2.0 V for 2.5 V outputs and 2.4 V for 3.3 V outputs as shown in Figure 7.
- T_{HKL} is measured at 0.4 V for all outputs as shown in Figure 7.
- The time is specified from when V_{DDQ} achieves its normal operating level (typical condition $V_{DDQ} = 3.3$ V) until the frequency output is stable and operating within specification.
- T_{HRISE} and T_{HFALL} are measured as a transition through the threshold region $V_{OL} = 0.4$ V and $V_{OH} = 2.4$ V (1 mA) JEDEC specification.
- The average period over any 1 μ s period of time must be greater than the minimum specified period.
- Calculated at minimum edge-rate (1 V/ns) to guarantee 45/55% duty-cycle. Pulse width is required to be wider at faster edge-rate to ensure duty-cycle specification is met.
- Test load is $R_s = 33.2 \Omega$, $R_p = 49.9 \Omega$.
- Must be guaranteed in a realistic system environment.
- Configured for $V_{OH} = 0.71$ V in a 50 Ω environment.
- Measured at crossing points.
- Measured at 20% to 80%.
- Determined as a fraction of 2^* ($T_{rp} - T_{rn}) / (T_{rp} + T_{rn})$ where T_{rp} is a rising edge and T_{rn} is an intersecting falling edge.
- Voltage measure point ($V_m = 1.25$ V). $V_{DD} = 2.5$ V.
- Voltage measure point ($V_m = 1.5$ V). $V_{DD} = 3.3$ V.
- All offsets are to be measured at rising edges.
- Parameters are guaranteed by design.

CK00 (100/133MHz) spread spectrum differential system clock generator

PCK2020

AC WAVEFORMS

$V_M = 1.25\text{ V @ }V_{DDL}$ and $1.5\text{ V @ }V_{DD3}$

$V_X = V_{OL} + 0.3\text{ V}$

$V_Y = V_{OH} - 0.3\text{ V}$

V_{OL} and V_{OH} are the typical output voltage drop that occur with the output load.

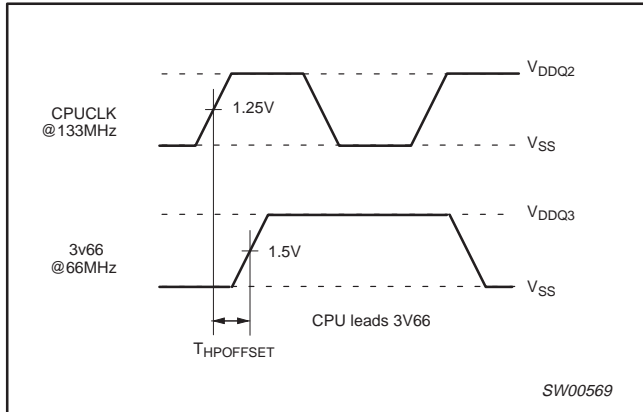


Figure 1. Host clock

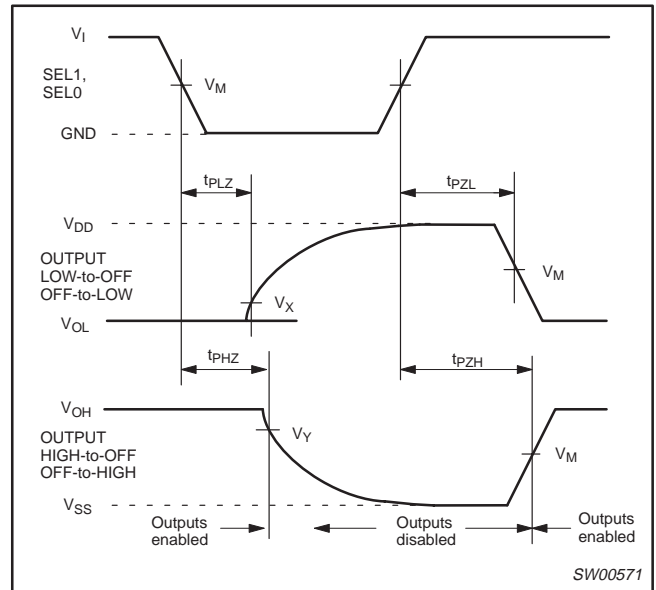


Figure 3. State enable and disable times

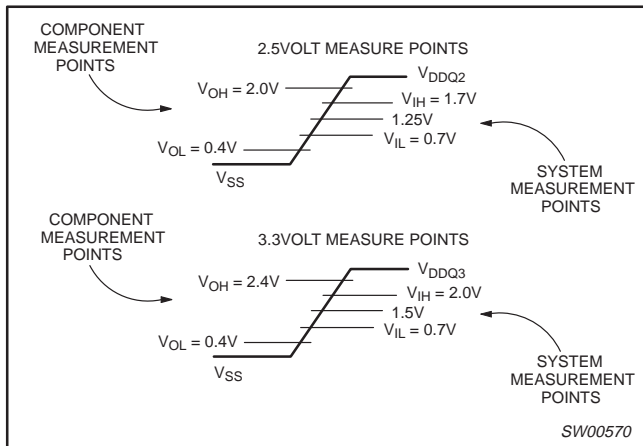


Figure 2. 3.3 V clock waveforms

CK00 (100/133MHz) spread spectrum differential system clock generator

PCK2020

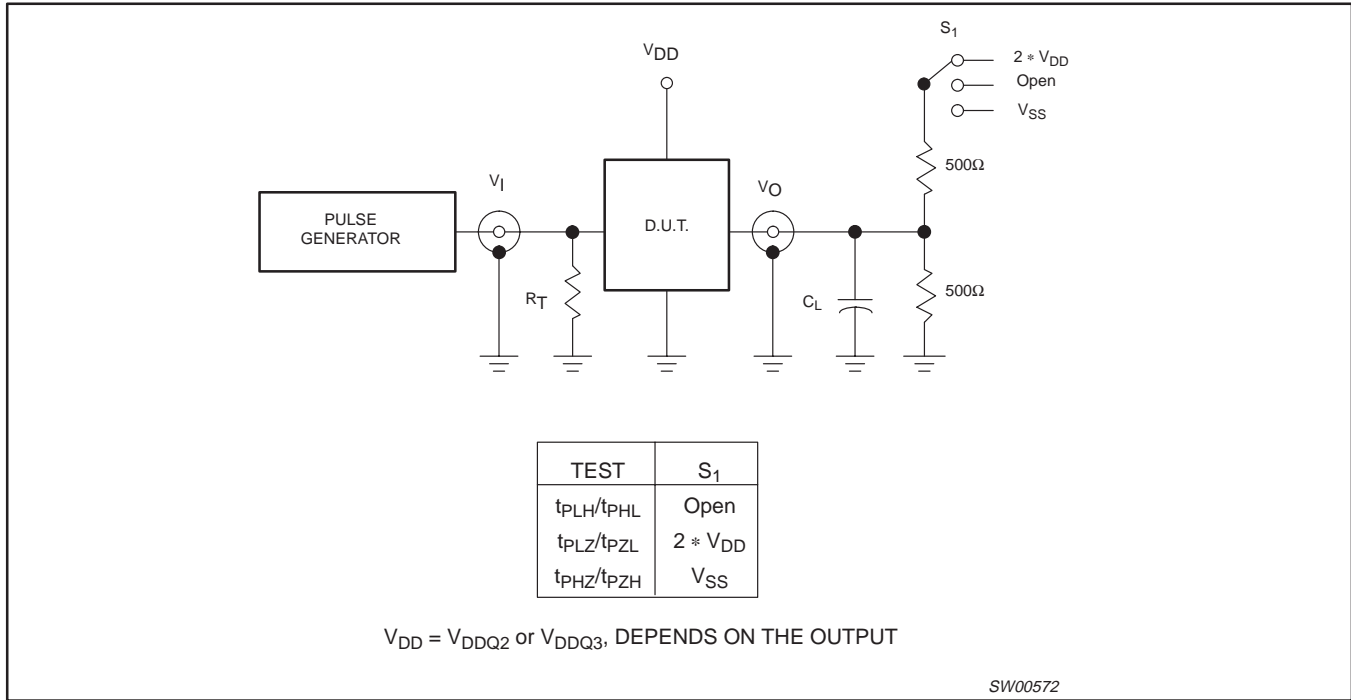


Figure 4. Load circuitry for switching times

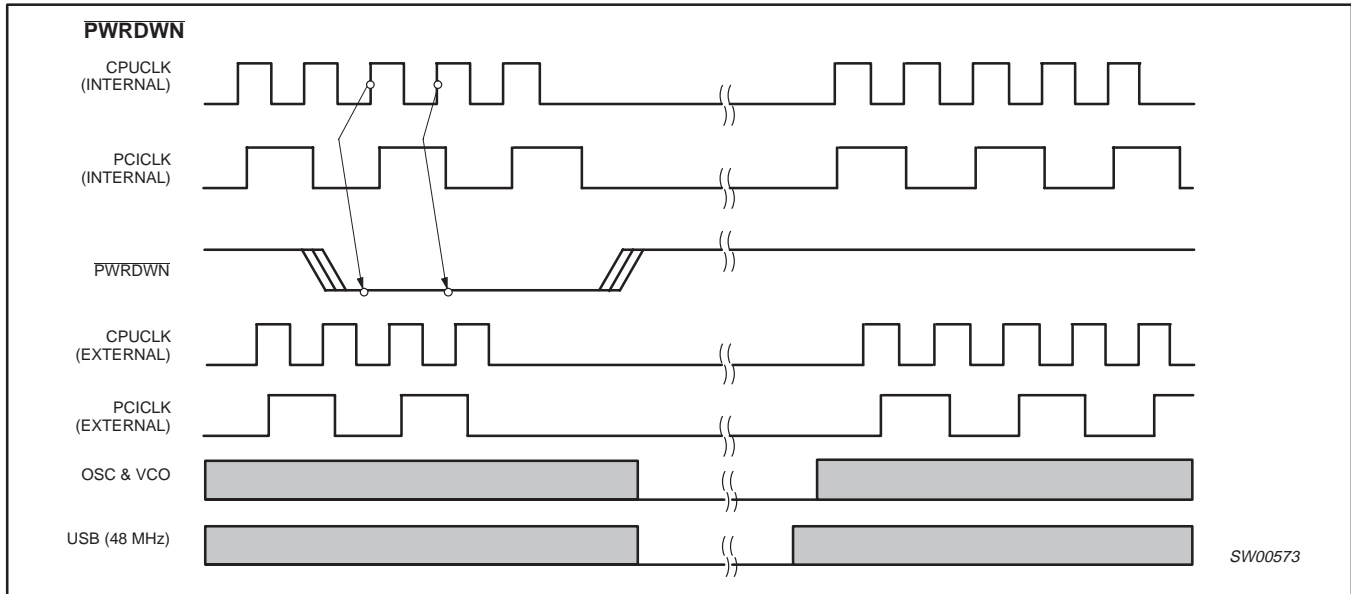


Figure 5. Power management

CK00 (100/133MHz) spread spectrum differential system clock generator

PCK2020

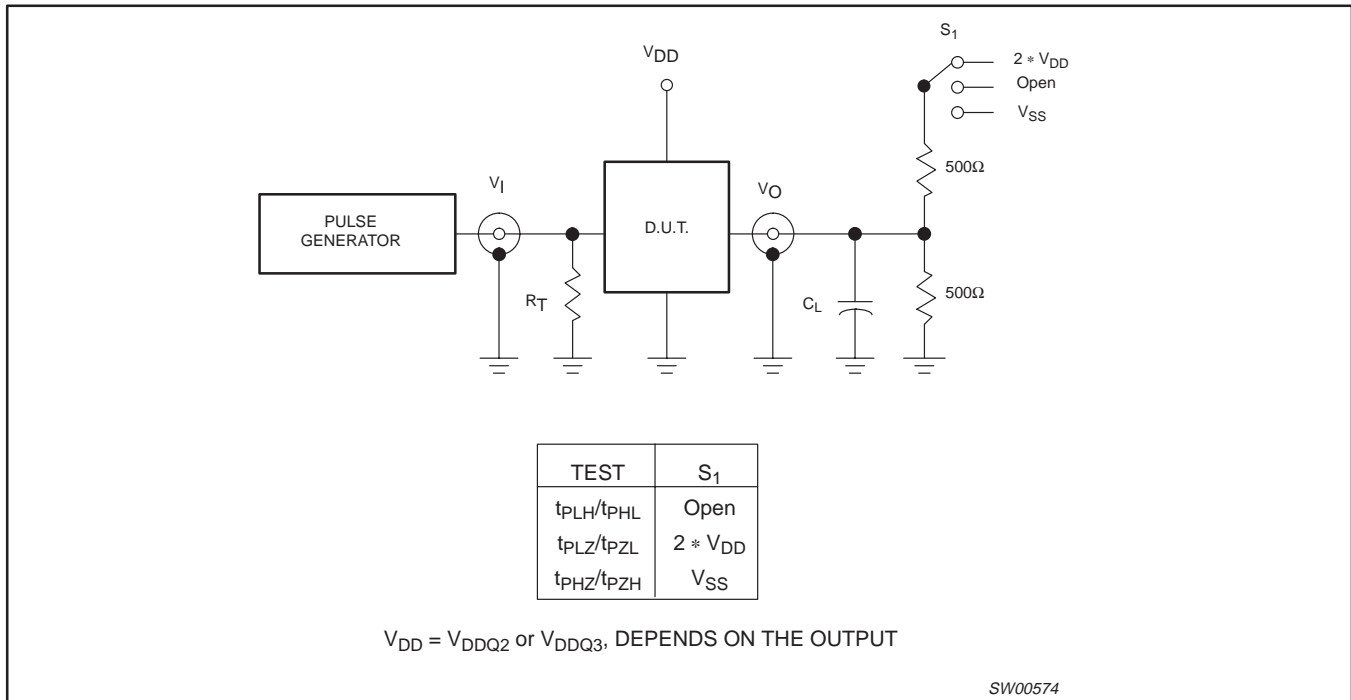


Figure 6. Host clock measurements

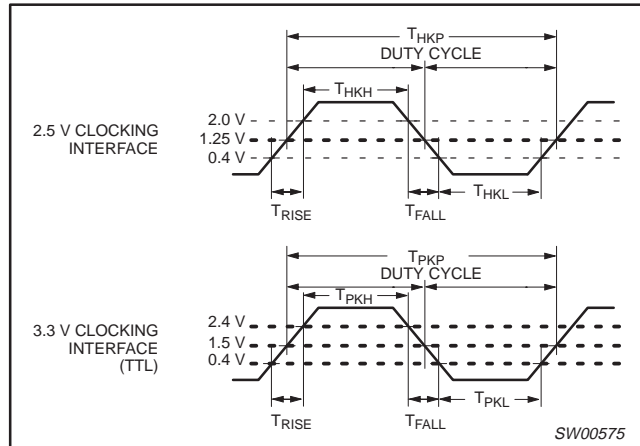


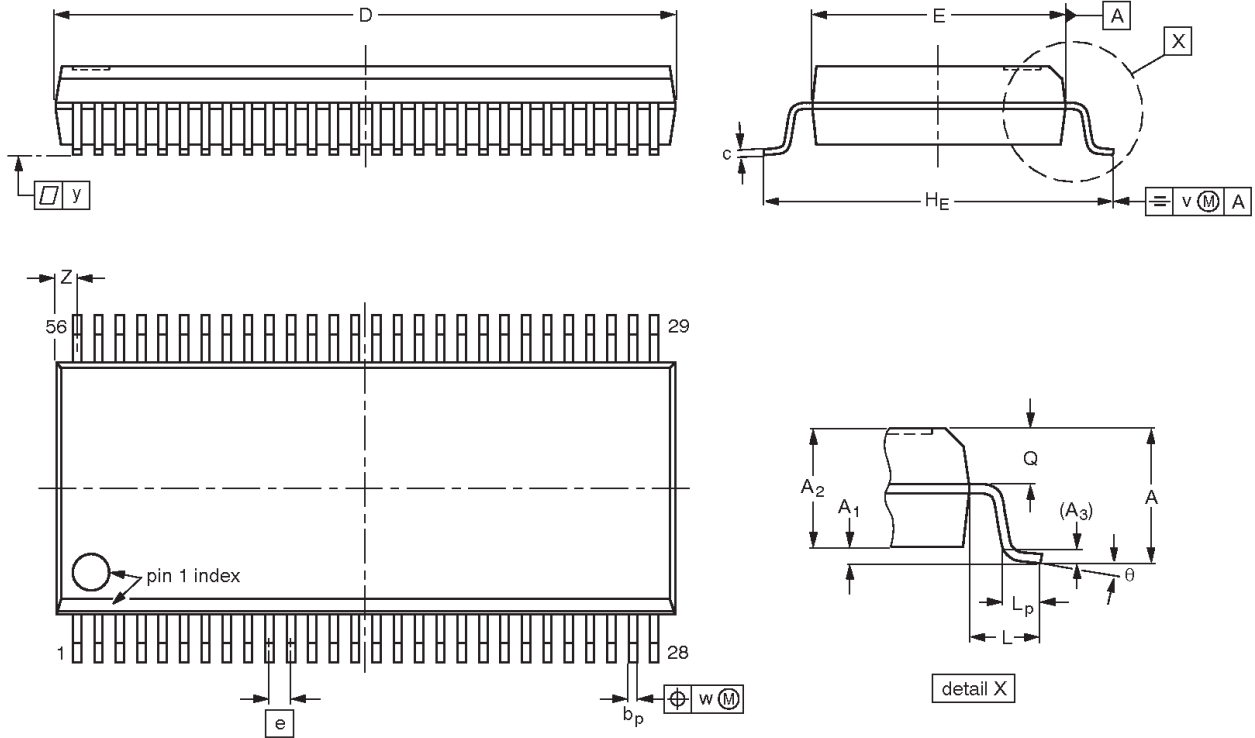
Figure 7. 2.5 V/3.3 V clock waveforms

CK00 (100/133MHz) spread spectrum differential system clock generator

PCK2020

SSOP56: plastic shrink small outline package; 56 leads; body width 7.5 mm

SOT371-1



DIMENSIONS (mm are the original dimensions)

UNIT	A max.	A ₁	A ₂	A ₃	b _p	c	D ⁽¹⁾	E ⁽¹⁾	e	H _E	L	L _p	Q	v	w	y	Z ⁽¹⁾	θ
mm	2.8	0.4 0.2	2.35 2.20	0.25	0.3 0.2	0.22 0.13	18.55 18.30	7.6 7.4	0.635	10.4 10.1	1.4	1.0 0.6	1.2 1.0	0.25	0.18	0.1	0.85 0.40	8° 0°

Note

1. Plastic or metal protrusions of 0.25 mm maximum per side are not included.

OUTLINE VERSION	REFERENCES				EUROPEAN PROJECTION	ISSUE DATE
	IEC	JEDEC	EIAJ			
SOT371-1		MO-118				95-02-04 99-12-27

CK00 (100/133MHz) spread spectrum differential system clock generator

PCK2020

Data sheet status

Data sheet status	Product status	Definition [1]
Objective specification	Development	This data sheet contains the design target or goal specifications for product development. Specification may change in any manner without notice.
Preliminary specification	Qualification	This data sheet contains preliminary data, and supplementary data will be published at a later date. Philips Semiconductors reserves the right to make changes at any time without notice in order to improve design and supply the best possible product.
Product specification	Production	This data sheet contains final specifications. Philips Semiconductors reserves the right to make changes at any time without notice in order to improve design and supply the best possible product.

[1] Please consult the most recently issued datasheet before initiating or completing a design.

Definitions

Short-form specification — The data in a short-form specification is extracted from a full data sheet with the same type number and title. For detailed information see the relevant data sheet or data handbook.

Limiting values definition — Limiting values given are in accordance with the Absolute Maximum Rating System (IEC 134). Stress above one or more of the limiting values may cause permanent damage to the device. These are stress ratings only and operation of the device at these or at any other conditions above those given in the Characteristics sections of the specification is not implied. Exposure to limiting values for extended periods may affect device reliability.

Application information — Applications that are described herein for any of these products are for illustrative purposes only. Philips Semiconductors make no representation or warranty that such applications will be suitable for the specified use without further testing or modification.

Disclaimers

Life support — These products are not designed for use in life support appliances, devices or systems where malfunction of these products can reasonably be expected to result in personal injury. Philips Semiconductors customers using or selling these products for use in such applications do so at their own risk and agree to fully indemnify Philips Semiconductors for any damages resulting from such application.

Right to make changes — Philips Semiconductors reserves the right to make changes, without notice, in the products, including circuits, standard cells, and/or software, described or contained herein in order to improve design and/or performance. Philips Semiconductors assumes no responsibility or liability for the use of any of these products, conveys no license or title under any patent, copyright, or mask work right to these products, and makes no representations or warranties that these products are free from patent, copyright, or mask work right infringement, unless otherwise specified.

Philips Semiconductors
811 East Arques Avenue
P.O. Box 3409
Sunnyvale, California 94088-3409
Telephone 800-234-7381

© Copyright Philips Electronics North America Corporation 2000
All rights reserved. Printed in U.S.A.

Date of release: 11-00

Document order number:

9397 750 07818

Let's make things better.