

# NCP349GEVB

## NCP349 Evaluation Board User's Manual



**ON Semiconductor®**

<http://onsemi.com>

---

### EVAL BOARD USER'S MANUAL

#### Description

The NCP349 is able to disconnect the systems from its output pin when wrong input operating conditions are detected. The system is positive overvoltage protected up to +28 V.

This device uses an internal NMOS and therefore, no external device is necessary, reducing the system cost and the PCB area of the application board. The NCP349 is able to instantaneously disconnect the output from the input, due to integrated Low RON Power NMOS (65 mΩ), if the input voltage exceeds the overvoltage threshold (OVLO) or falls below the undervoltage threshold (UVLO).

The NCP349 provides a negative going flag (FLAG) output, which alerts the system that a fault has occurred. In addition, the device has ESD-protected input (15 kV Air) when bypassed with a 1.0 μF or larger capacitor.

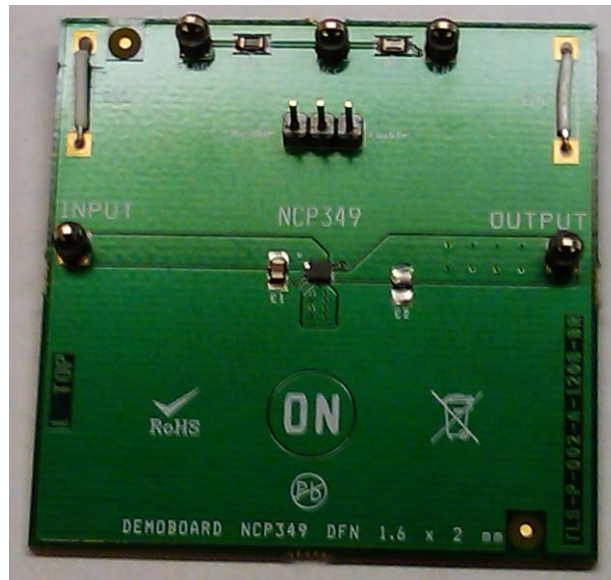


Figure 1. NCP349GEVB Board Picture

# NCP349GEVB

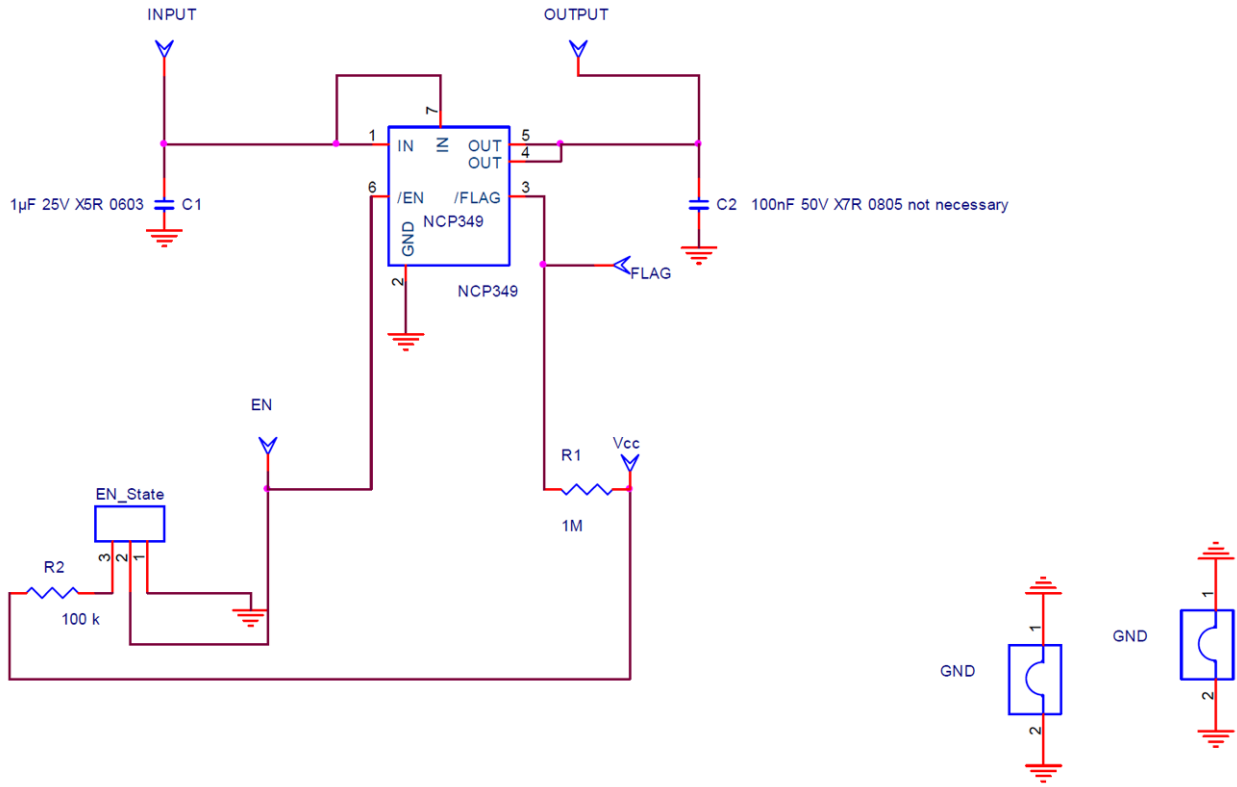


Figure 2. NCP349GEVB Board Schematic

# NCP349GEVB

## PCB

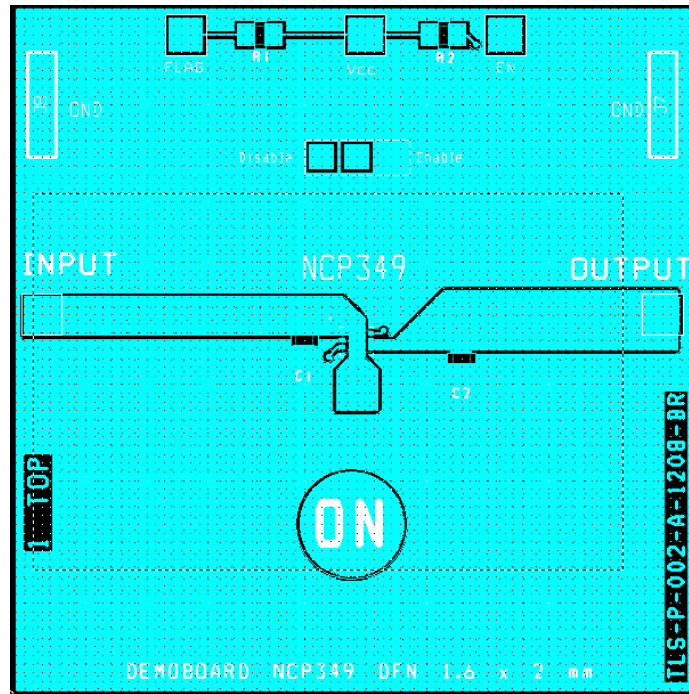


Figure 3. NCP349GEVB Board Layout (Top View)

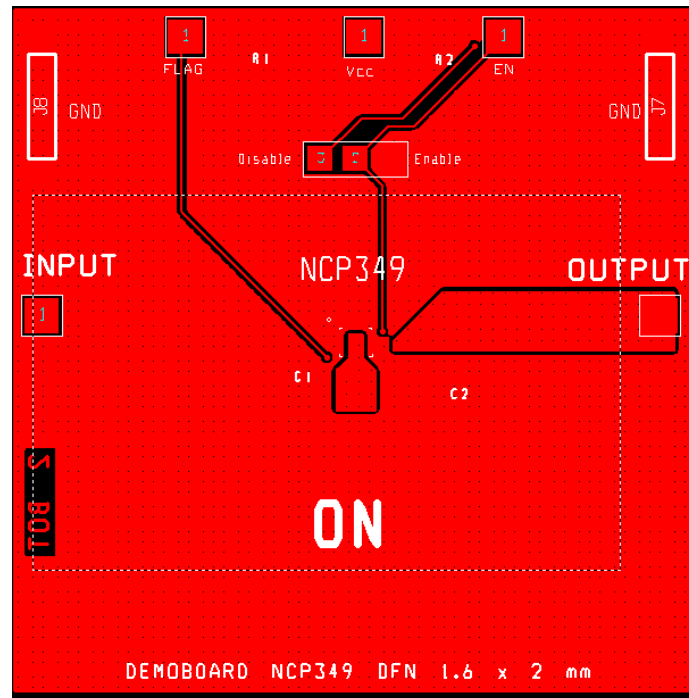


Figure 4. NCP349GEVB Board Layout (Bottom View)

# NCP349GEVB

**Table 1. BILL OF MATERIALS**

Quantity	Designation	Manufacturer	Digi key	Specifications
1	NCP349 LLGA3x3	ON Semiconductor		Over voltage protection
1	C1 (Cin)	Murata – GRM188R61E105KA12D	490-3897-1-ND	1 µF 25V X5R CMS0805
2	INPUT and OUTPUT connectors	Kontec Comatel	5001K-ND	1 pin. 2.54 PCB Single ligne
3	Test points: FLAG, EN, V <sub>CC</sub>	Kontec Comatel	5001K-ND	1 pin. 2.54 PCB Single ligne
1	EN_state. $\overline{EN}$ connection to GND pull down or to +5 V pull up	Kontec Comatel	5001K-ND	3 pins. 2.54 PCB Single ligne
2	R1, R2	susumu	Rr08p(value)dct-nd	100 kΩ . CMS0603 0.5%
2	GND jumper		WM8083-ND	Jumper Ground 1 mm pitch 10.16 mm


## CONNECTING PROCESS

### Turn On.

1. Connect a supply (5 V typical, Maximum rating, 7 V) on Vcc test point.
2. Let EN\_STATE strap on right side if you want to Enable the device. (Pull down to GND).
3. Connect Vin on INPUT test point. Typical UVLO current consumption is 70 µA. Typical current consumption UVLO < Vin < OVLO without load is 170 µA.
4. Connect the system on OUTPUT test point.
5. Increase Vin level above UVLO to see Vin on Vout pin.
6. Connect strap on left side to disable the part (disconnect Vout from Vin)

### Turn Off.

1. Disconnect system connected on Vout connector.
2. Disconnect Vin or adapter connected on Vin connector.
3. Disconnect Vcc supply.

**ON Semiconductor** and  are registered trademarks of Semiconductor Components Industries, LLC (SCILLC). SCILLC reserves the right to make changes without further notice to any products herein. SCILLC makes no warranty, representation or guarantee regarding the suitability of its products for any particular purpose, nor does SCILLC assume any liability arising out of the application or use of any product or circuit, and specifically disclaims any and all liability, including without limitation special, consequential or incidental damages. "Typical" parameters which may be provided in SCILLC data sheets and/or specifications can and do vary in different applications and actual performance may vary over time. All operating parameters, including "Typicals" must be validated for each customer application by customer's technical experts. SCILLC does not convey any license under its patent rights nor the rights of others. SCILLC products are not designed, intended, or authorized for use as components in systems intended for surgical implant into the body, or other applications intended to support or sustain life, or for any other application in which the failure of the SCILLC product could create a situation where personal injury or death may occur. Should Buyer purchase or use SCILLC products for any such unintended or unauthorized application, Buyer shall indemnify and hold SCILLC and its officers, employees, subsidiaries, affiliates, and distributors harmless against all claims, costs, damages, and expenses, and reasonable attorney fees arising out of, directly or indirectly, any claim of personal injury or death associated with such unintended or unauthorized use, even if such claim alleges that SCILLC was negligent regarding the design or manufacture of the part. SCILLC is an Equal Opportunity/Affirmative Action Employer. This literature is subject to all applicable copyright laws and is not for resale in any manner.

## PUBLICATION ORDERING INFORMATION

### LITERATURE FULFILLMENT:

Literature Distribution Center for ON Semiconductor  
P.O. Box 5163, Denver, Colorado 80217 USA  
Phone: 303-675-2175 or 800-344-3860 Toll Free USA/Canada  
Fax: 303-675-2176 or 800-344-3867 Toll Free USA/Canada  
Email: orderlit@onsemi.com

**N. American Technical Support:** 800-282-9855 Toll Free  
USA/Canada  
**Europe, Middle East and Africa Technical Support:**  
Phone: 421 33 790 2910  
**Japan Customer Focus Center**  
Phone: 81-3-5773-3850

**ON Semiconductor Website:** [www.onsemi.com](http://www.onsemi.com)

**Order Literature:** <http://www.onsemi.com/orderlit>

For additional information, please contact your local Sales Representative