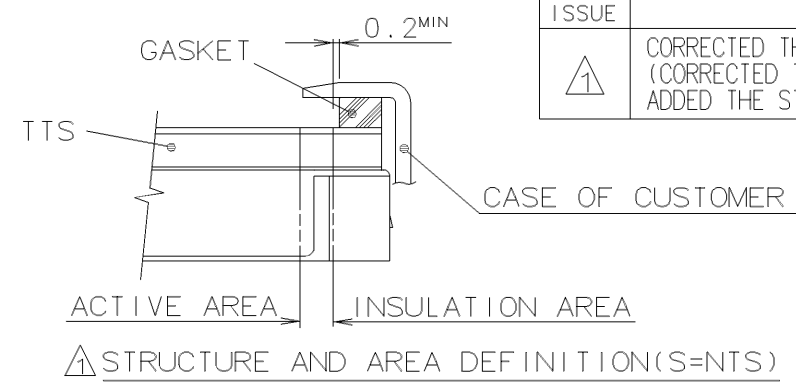
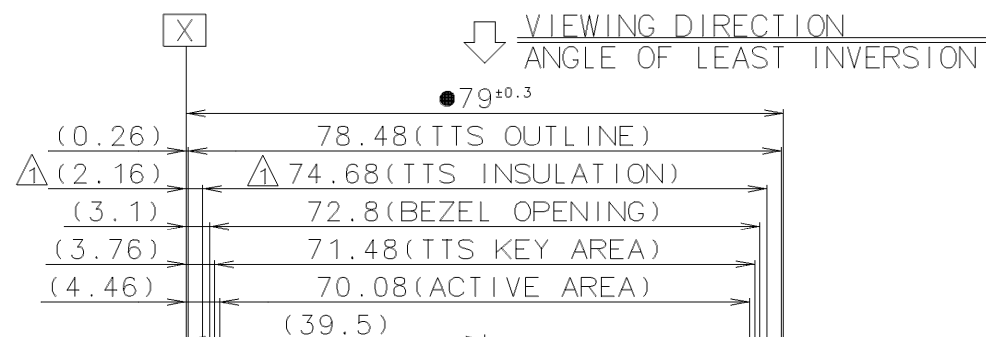


ISSUE	REVISIONS	DRAWN	DATE
△	CORRECTED THE PIN ASSIGNMENT OF CN3. (CORRECTED THE MISDESCRIPTION) ADDED THE STRUCTURE AND AREA DEFINITION	S. SANO	JUN.24'08



CN1 PIN ASSIGNMENT

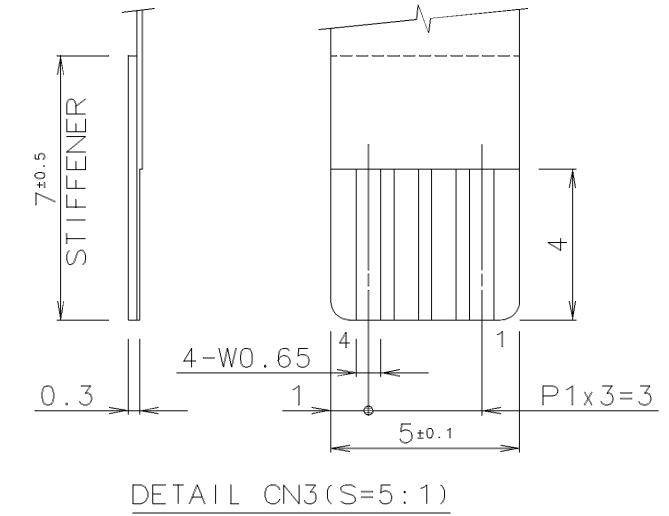
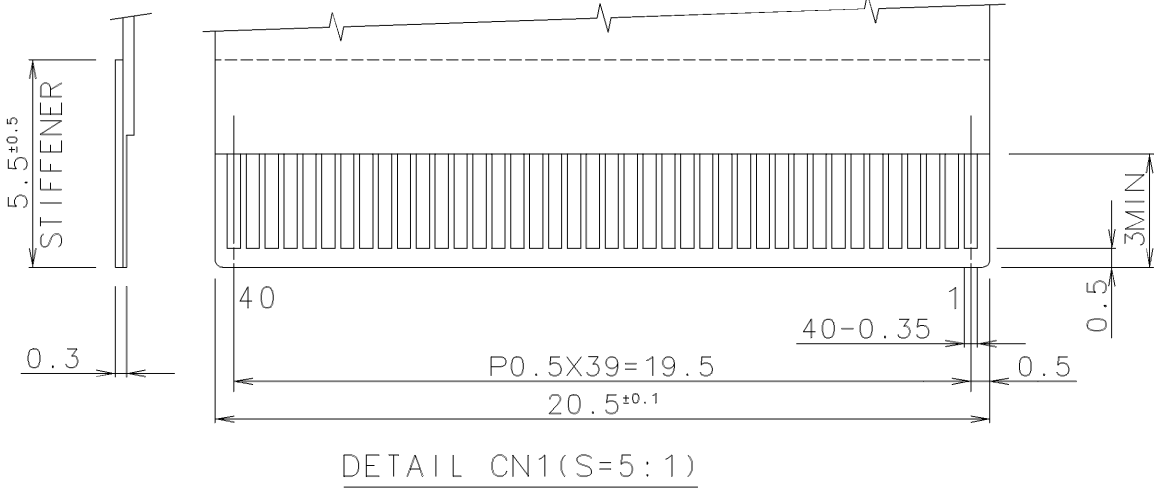
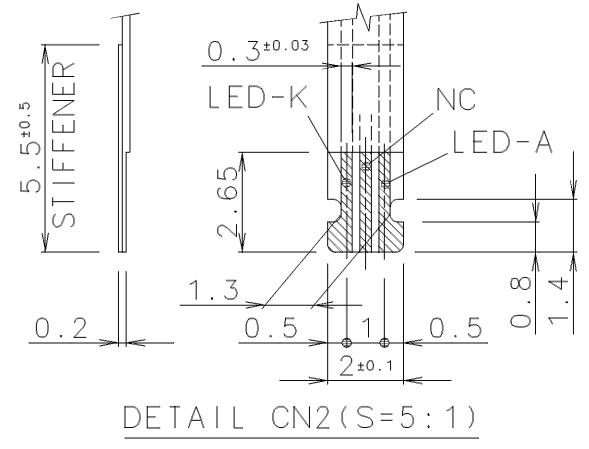
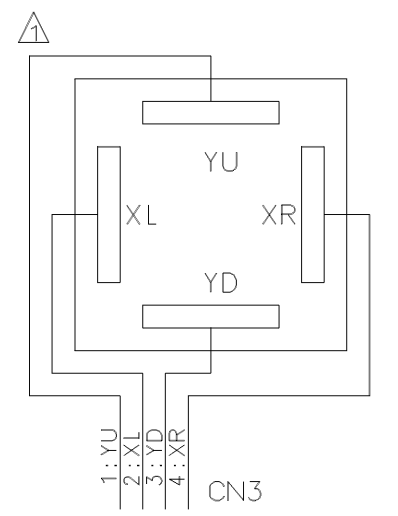
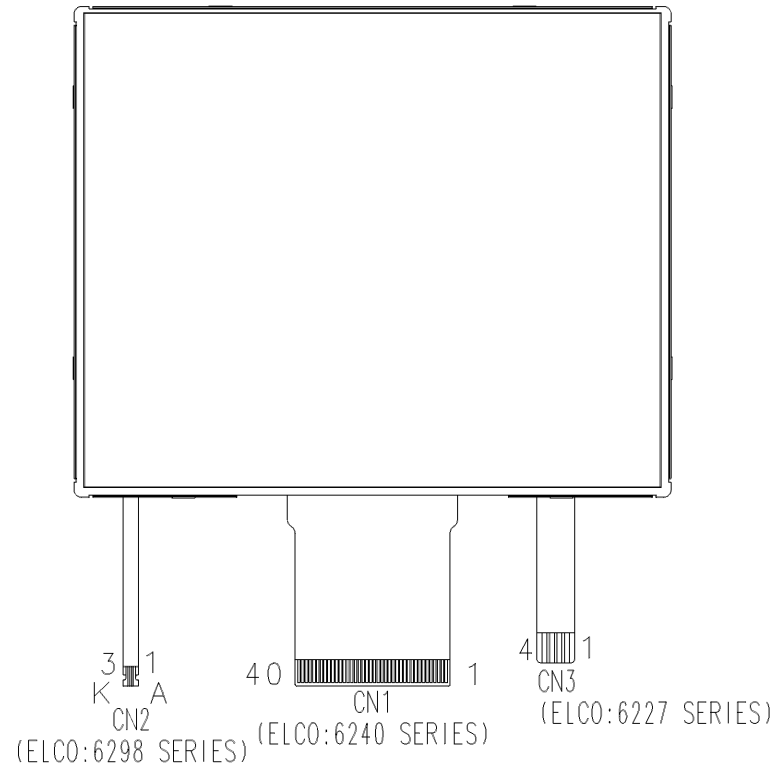
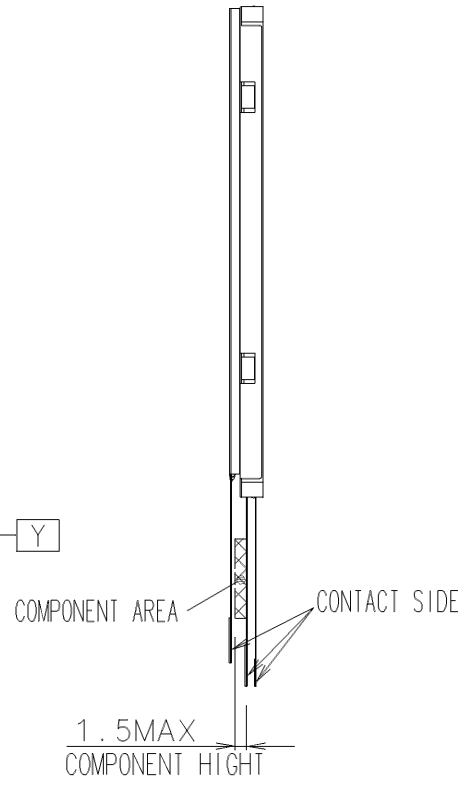
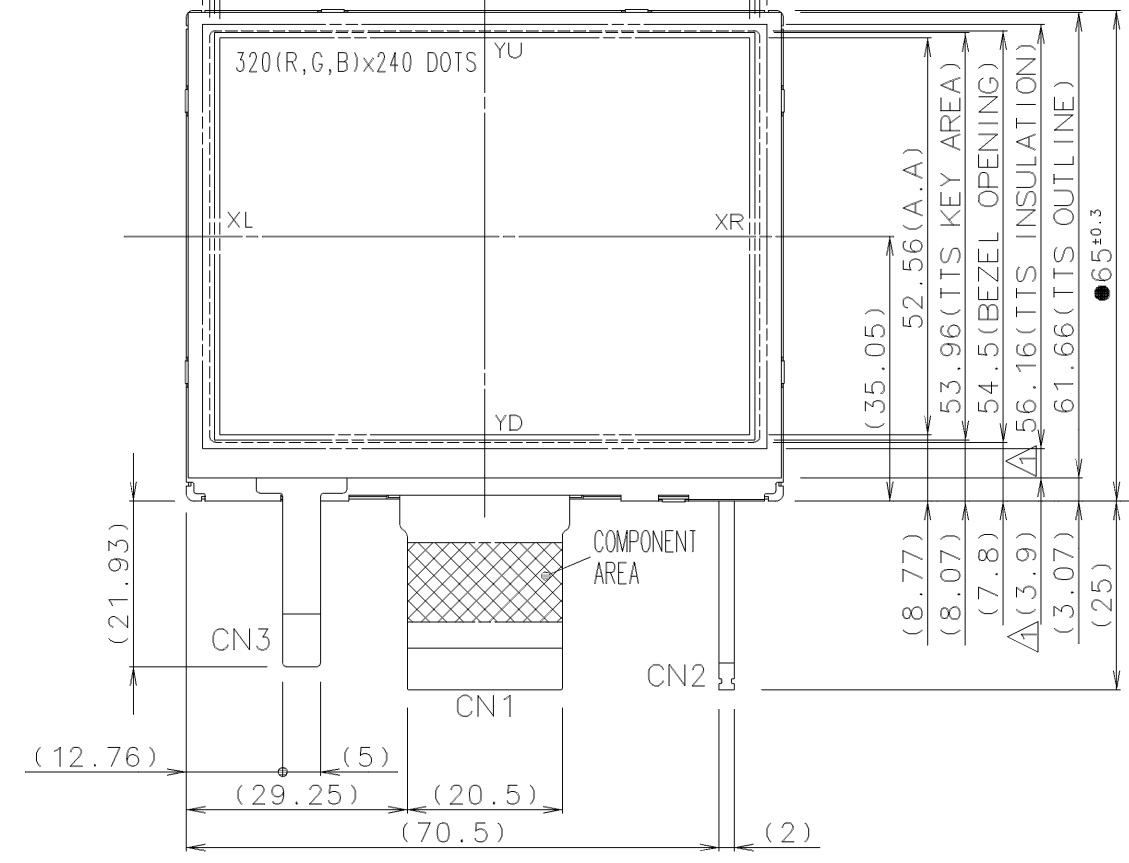
NO.	SYMBOL	NO.	SYMBOL
1	RL	21	DB10
2	TB	22	DB9
3	DOTCLK	23	DB8
4	VSYNC	24	GND
5	HSYNC	25	DB7
6	ENABLE	26	DB6
7	DB23	27	DB5
8	DB22	28	DB4
9	DB21	29	DB3
10	DB20	30	DB2
11	DB19	31	DB1
12	DB18	32	DB0
13	DB17	33	SDI
14	DB16	34	SCL
15	GND	35	CS
16	DB15	36	RESET
17	DB14	37	SDO
18	DB13	38	GND
19	DB12	39	VCC
20	DB11	40	VCC

CN2 PIN ASSIGNMENT

NO.	SYMBOL	NO.	SYMBOL
1	LED-A	3	LED-K
2	NC		

△ CN3 PIN ASSIGNMENT

NO.	SYMBOL	NO.	SYMBOL
1	YU	3	YD
2	XL	4	XR



NOTE
THE DIMENSIONS WITH THE MARK(●) ARE CONTROLLED AS A PARTICULAR CHARACTERISTIC.

TOLERANCE			MATERIAL:		FINISH:		
MEASURE	A	B	DATE	2008/06/26	THIRD ANGLE PROJECTION		
L ≤ 16	±0.1	±0.3	APPROVED	Noboru Wada	SCALE		UNIT
16 < L ≤ 63	±0.2	±0.5	CHECKED	Yasuo Yamaguchi	1:1		mm
63 < L ≤ 250	±0.3	±0.8	DRAWN	Satoshi Sano	DATE		APR.22'08
250 < L ≤ 500	±0.5	±1.2			DSGN	S. Sano	
500 < L	±0.8	±2			DWG NO(CODE)	T-55343AE BASE	
ANGLE	±1°	±5°	±10°		DWG SIZE	A3	
					DWG REV	A	