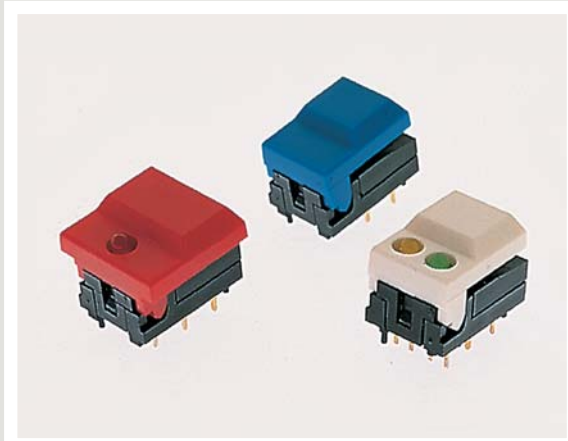




SERIES 5500 SWITCHES

PUSHBUTTON SWITCHES



FEATURES & BENEFITS

- ▶ Single or dual LED options
- ▶ Hinged pushbutton design
- ▶ High operating life

APPLICATIONS/MARKETS

- ▶ Telecommunications
- ▶ Networking
- ▶ Computers/servers
- ▶ Performance audio
- ▶ Instrumentation
- ▶ Low power on/off designs
- ▶ External hard drives and modems

SPECIFICATIONS

| | |
|------------------------|------------------------------------|
| Contact Ratings: | 300mA @ 12 VDC |
| Life Expectancy: | 500,000 cycles typical |
| Contact Resistance: | 50mΩ max. typical @ 2-4 VDC, 100mA |
| Insulation Resistance: | 50 MΩ min. |
| Dielectric Strength: | >1,000 V rms at sea level |
| Actuation Force: | 255 grams max. |
| Operating Temperature: | -25°C to +65°C |

MATERIALS

| | |
|------------|------------------------------------|
| Housing: | Nylon |
| Cap: | ABS |
| Contacts: | Gold over nickel over copper alloy |
| Terminals: | Gold over nickel over copper alloy |



HOW TO ORDER

| | | | | | |
|----------------------------|--|--|--|---|---|
| SERIES 55 | CAP STYLE 01 = Small 11 = Large | MECHANICAL CONFIGURATION M M = Momentary | CAP COLOR BLK = Black GRY = Grey YEL = Yellow BLU = Blue RED = Red ORG = Orange GRN = Green WHT = White | 1st LED COLOR (1-LED cap styles only) X = No LED RED = Red LED GRN = Green LED YEL = Yellow LED | 2nd LED COLOR (2-LED cap styles only) RED = Red LED GRN = Green LED YEL = Yellow LED |
|----------------------------|--|--|--|---|---|



Example Ordering Number

55-11-M-BLU
55-01-M-WHT-RED, GRN

Specifications subject to change without notice.

TACT SWITCHES

NAVIGATION SWITCHES

PUSHBUTTON SWITCHES

TOGGLE SWITCHES

ROCKER SWITCHES

SLIDE SWITCHES

SNAP-ACTION SWITCHES

DIP SWITCHES

KEYLOCK SWITCHES

ROTARY SWITCHES

DETECTOR SWITCHES

CAP OPTIONS

SERIES 5500 SWITCHES

PUSHBUTTON SWITCHES

TACT
SWITCHES

NAVIGATION
SWITCHES

PUSHBUTTON
SWITCHES

TOGGLE
SWITCHES

ROCKER
SWITCHES

SLIDE
SWITCHES

SNAP-ACTION
SWITCHES

DIP
SWITCHES

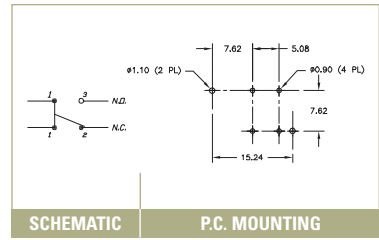
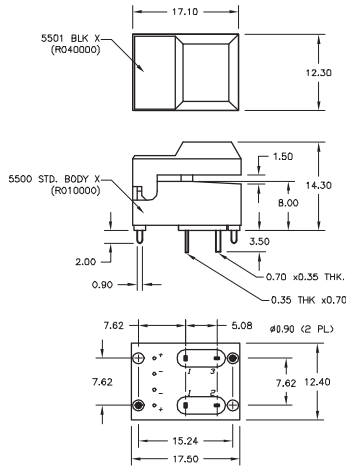
KEYLOCK
SWITCHES

ROTARY
SWITCHES

DETECTOR
SWITCHES

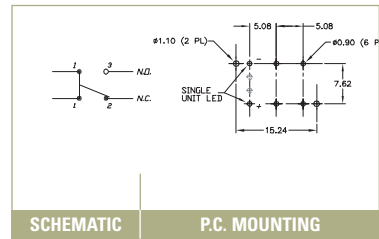
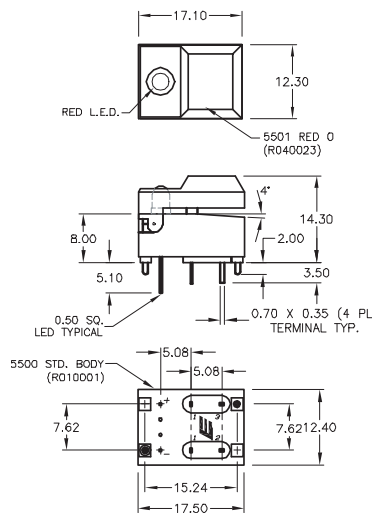
CAP
OPTIONS

5501



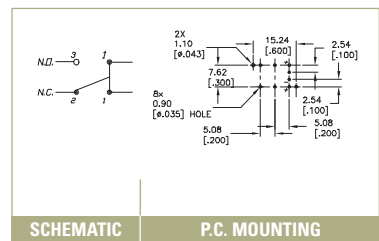
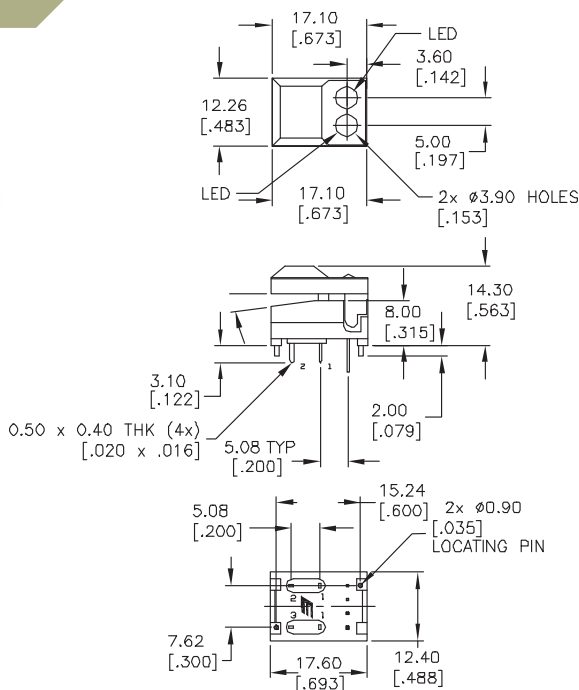
5501

1 LEDS



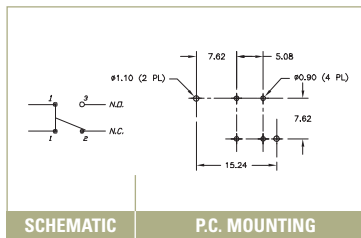
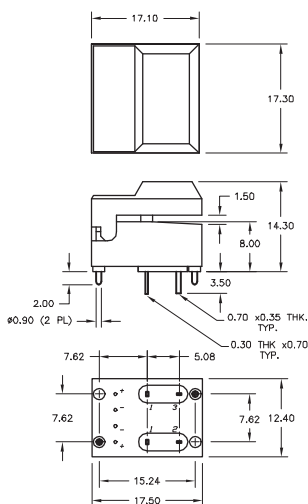
5501

2 LEDS





5511



TACT SWITCHES

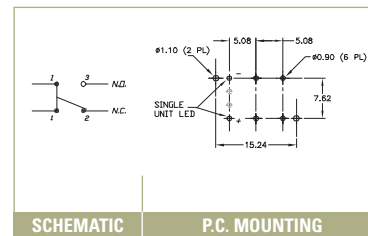
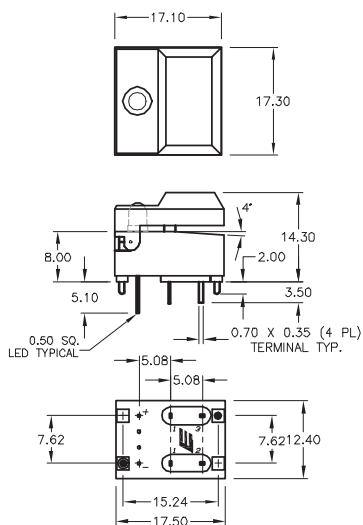
NAVIGATION SWITCHES

PUSHBUTTON SWITCHES

TOGGLE SWITCHES

5511

1 LEDS



ROCKER SWITCHES

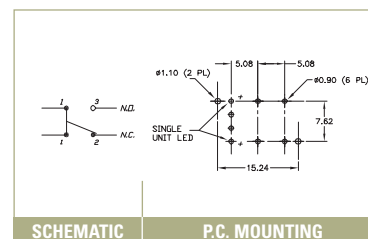
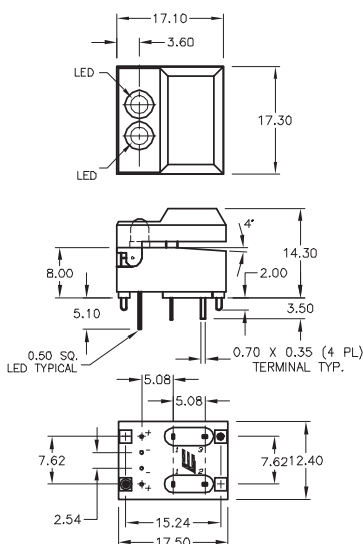
SLIDE SWITCHES

SNAP-ACTION SWITCHES

DIP SWITCHES

5511

2 LEDS



KEYLOCK SWITCHES

ROTARY SWITCHES

DETECTOR SWITCHES

CAP OPTIONS