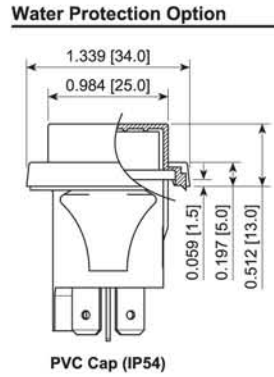
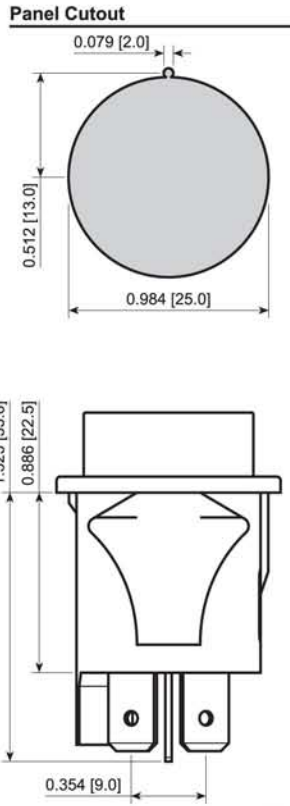
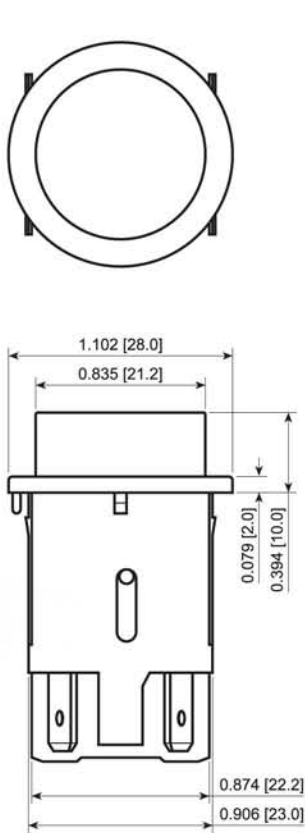


# PR1 Series



## FEATURES

- High Rating with UL and VDE Approvals
- Maintained and Momentary Option
- PVC Cap for Water and Dust Protection

## SPECIFICATIONS:

**RATING:** RATING OPTION C:  
 16A 125VAC [UR, cUR]  
 3/4HP 250VAC [UR, cUR]  
 16(6)A 250V~ 1E4 T125 [VDE]  
 10(4)A 250V~ 5E4 T125 [VDE]

**TEMPERATURE:** -20°C to 105°C [UR, cUR]  
 -20°C to 125°C [VDE]

**ELECTRICAL LIFE:** 10,000 Cycles  
**CONTACT RESISTANCE:** 35mΩ Max.  
**INSULATION RESISTANCE:** 100MΩ Min. at 500VDC  
**DIELECTRIC STRENGTH:** 1,500VAC for 1 Minute  
**INGRESS PROTECTION:** IP54 with PVC Cap

## MATERIALS:

**Body:** Polyamide 6/6, UL94 V-2  
**Actuator:** Polyamide 6/6, UL94 V-2  
 Polycarbonate, UL94 V-2  
**CONTACTS:** Silver Alloy  
**TERMINALS:** Silver Plated Brass



PR144C1200



PR144EC1100



PR142C1000-116



PR144EC1000-116  
ACC-F03-1

| Series | Terminal       | Function                                                                           | Rating         | Body Color                                                  | Actuator Color                                                                                                        | Marking Color                                 | Marking Type                                                                                       | Lens Style | Lens Color                                                 | Lamp Voltage                                         |
|--------|----------------|------------------------------------------------------------------------------------|----------------|-------------------------------------------------------------|-----------------------------------------------------------------------------------------------------------------------|-----------------------------------------------|----------------------------------------------------------------------------------------------------|------------|------------------------------------------------------------|------------------------------------------------------|
| PR1    | 4 - 6.3mm Tabs | 1 Pole:<br>1 - Off-On<br>4 - Off-(On)<br><br>2 Pole:<br>2 - Off-On<br>E - Off-(On) | C - 16A 125VAC | 1 - Black<br>2 - White<br>3 - Almond<br>4 - Grey<br>9 - Red | 0 - Full Illum.<br>1 - Black<br>2 - White<br>3 - Almond<br>4 - Grey<br>5 - Orange<br>7 - Blue<br>8 - Green<br>9 - Red | 0 - None<br>1 - Black<br>2 - White<br>8 - Red | 0 - None<br>1 - Power Symbol Vert.<br>3 - Reset Symbol Vert.<br>5 - POWER Vert.<br>7 - RESET Vert. | 1 - Full   | 0 - Clear<br>1 - Red<br>2 - Amber<br>3 - Green<br>4 - Blue | 3 - 6V<br>4 - 12V<br>5 - 24V<br>6 - 125V<br>7 - 250V |

| Accessories Series | Type                      | Options                                     |
|--------------------|---------------------------|---------------------------------------------|
| ACC                | F03<br>PVC Cap and Frame: | Colors for Frame:<br>1 - Black<br>2 - White |

Custom Colors and Markings Available Upon Request For Illuminated Switches Only

## EXAMPLE PART NUMBERS:

- PR141C1100 1P Off-On  
Black Body/Actuator, No Marking
- PR141C1900 1P Off-On  
Black Body, Red Actuator, No Marking
- PR144C1900 1P Off-(On)  
Black Body, Red Actuator, No Marking



**E-SWITCH®**

www.e-switch.com

800.867.2717

SPECIFICATIONS SUBJECT TO CHANGE WITHOUT NOTICE