



Is Now Part of



**ON Semiconductor®**

To learn more about ON Semiconductor, please visit our website at  
[www.onsemi.com](http://www.onsemi.com)

Please note: As part of the Fairchild Semiconductor integration, some of the Fairchild orderable part numbers will need to change in order to meet ON Semiconductor's system requirements. Since the ON Semiconductor product management systems do not have the ability to manage part nomenclature that utilizes an underscore (\_), the underscore (\_) in the Fairchild part numbers will be changed to a dash (-). This document may contain device numbers with an underscore (\_). Please check the ON Semiconductor website to verify the updated device numbers. The most current and up-to-date ordering information can be found at [www.onsemi.com](http://www.onsemi.com). Please email any questions regarding the system integration to [Fairchild\\_questions@onsemi.com](mailto:Fairchild_questions@onsemi.com).

ON Semiconductor and the ON Semiconductor logo are trademarks of Semiconductor Components Industries, LLC dba ON Semiconductor or its subsidiaries in the United States and/or other countries. ON Semiconductor owns the rights to a number of patents, trademarks, copyrights, trade secrets, and other intellectual property. A listing of ON Semiconductor's product/patent coverage may be accessed at [www.onsemi.com/site/pdf/Patent-Marking.pdf](http://www.onsemi.com/site/pdf/Patent-Marking.pdf). ON Semiconductor reserves the right to make changes without further notice to any products herein. ON Semiconductor makes no warranty, representation or guarantee regarding the suitability of its products for any particular purpose, nor does ON Semiconductor assume any liability arising out of the application or use of any product or circuit, and specifically disclaims any and all liability, including without limitation special, consequential or incidental damages. Buyer is responsible for its products and applications using ON Semiconductor products, including compliance with all laws, regulations and safety requirements or standards, regardless of any support or applications information provided by ON Semiconductor. "Typical" parameters which may be provided in ON Semiconductor data sheets and/or specifications can and do vary in different applications and actual performance may vary over time. All operating parameters, including "Typicals" must be validated for each customer application by customer's technical experts. ON Semiconductor does not convey any license under its patent rights nor the rights of others. ON Semiconductor products are not designed, intended, or authorized for use as a critical component in life support systems or any FDA Class 3 medical devices or medical devices with a same or similar classification in a foreign jurisdiction or any devices intended for implantation in the human body. Should Buyer purchase or use ON Semiconductor products for any such unintended or unauthorized application, Buyer shall indemnify and hold ON Semiconductor and its officers, employees, subsidiaries, affiliates, and distributors harmless against all claims, costs, damages, and expenses, and reasonable attorney fees arising out of, directly or indirectly, any claim of personal injury or death associated with such unintended or unauthorized use, even if such claim alleges that ON Semiconductor was negligent regarding the design or manufacture of the part. ON Semiconductor is an Equal Opportunity/Affirmative Action Employer. This literature is subject to all applicable copyright laws and is not for resale in any manner.

# Single-Channel: 6N137, HCPL2601, HCPL2611 Dual-Channel: HCPL2630, HCPL2631 High Speed 10MBit/s Logic Gate Optocouplers

## Features

- Very high speed – 10 MBit/s
- Superior CMR – 10 kV/μs
- Double working voltage-480V
- Fan-out of 8 over -40°C to +85°C
- Logic gate output
- Strobable output
- Wired OR-open collector
- U.L. recognized (File # E90700)

## Applications

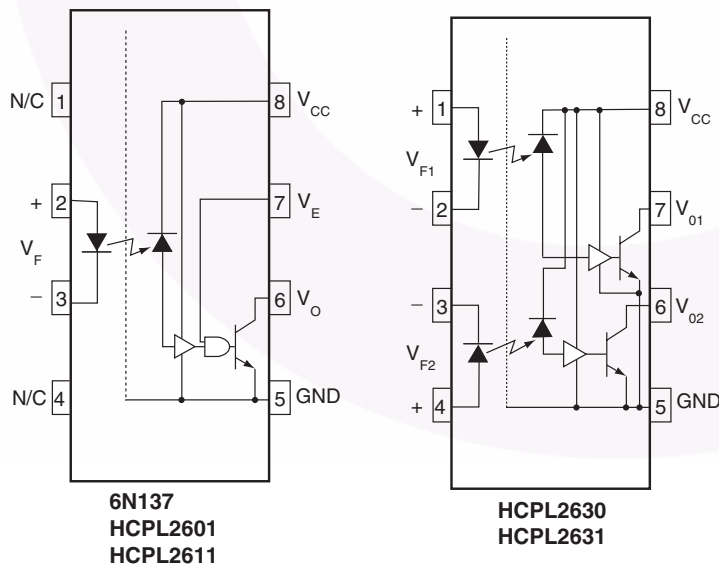
- Ground loop elimination
- LSTTL to TTL, LSTTL or 5-volt CMOS
- Line receiver, data transmission
- Data multiplexing
- Switching power supplies
- Pulse transformer replacement
- Computer-peripheral interface

## Description

The 6N137, HCPL2601, HCPL2611 single-channel and HCPL2630, HCPL2631 dual-channel optocouplers consist of a 850 nm AlGaAs LED, optically coupled to a very high speed integrated photo-detector logic gate with a strobable output. This output features an open collector, thereby permitting wired OR outputs. The coupled parameters are guaranteed over the temperature range of -40°C to +85°C. A maximum input signal of 5mA will provide a minimum output sink current of 13mA (fan out of 8).

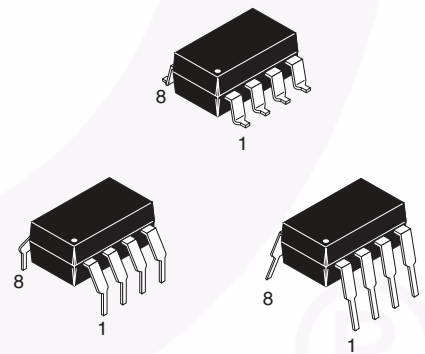
An internal noise shield provides superior common mode rejection of typically 10kV/μs. The HCPL2601 and HCPL2631 has a minimum CMR of 5kV/μs. The HCPL2611 has a minimum CMR of 10kV/μs.

## Schematics



A 0.1μF bypass capacitor must be connected between pins 8 and 5<sup>(1)</sup>.

## Package Outlines



## Truth Table (Positive Logic)

| Input | Enable | Output |
|-------|--------|--------|
| H     | H      | L      |
| L     | H      | H      |
| H     | L      | H      |
| L     | L      | H      |
| H     | NC     | L      |
| L     | NC     | H      |

**Absolute Maximum Ratings** ( $T_A = 25^\circ\text{C}$  unless otherwise specified)

Stresses exceeding the absolute maximum ratings may damage the device. The device may not function or be operable above the recommended operating conditions and stressing the parts to these levels is not recommended. In addition, extended exposure to stresses above the recommended operating conditions may affect device reliability. The absolute maximum ratings are stress ratings only.

| Symbol                     | Parameter  |                             | Value          | Units            |
|----------------------------|--|-----------------------------|----------------|------------------|
| $T_{STG}$                  | Storage Temperature  |                             | -55 to +125    | $^\circ\text{C}$ |
| $T_{OPR}$                  | Operating Temperature  |                             | -40 to +85     | $^\circ\text{C}$ |
| $T_{SOL}$                  | Lead Solder Temperature (for wave soldering only)*             |                             | 260 for 10 sec | $^\circ\text{C}$ |
| <b>EMITTER</b>             |  |                             |                |                  |
| $I_F$                      | DC/Average Forward   | Single Channel              | 50             | mA               |
|                            | Input Current  | Dual Channel (Each Channel) | 30             |                  |
| $V_E$                      | Enable Input Voltage Not to Exceed $V_{CC}$ by more than 500mV | Single Channel              | 5.5            | V                |
| $V_R$                      | Reverse Input Voltage  | Each Channel                | 5.0            | V                |
| $P_I$                      | Power Dissipation  | Single Channel              | 100            | mW               |
|                            |  | Dual Channel (Each Channel) | 45             |                  |
| <b>DETECTOR</b>            |  |                             |                |                  |
| $V_{CC}$<br>(1 minute max) | Supply Voltage   |                             | 7.0            | V                |
| $I_O$                      | Output Current   | Single Channel              | 50             | mA               |
|                            |  | Dual Channel (Each Channel) | 50             |                  |
| $V_O$                      | Output Voltage   | Each Channel                | 7.0            | V                |
| $P_O$                      | Collector Output   | Single Channel              | 85             | mW               |
|                            | Power Dissipation  | Dual Channel (Each Channel) | 60             |                  |

\*For peak soldering reflow, please refer to the Reflow Profile on page 11.

**Recommended Operating Conditions**

The Recommended Operating Conditions table defines the conditions for actual device operation. Recommended operating conditions are specified to ensure optimal performance to the datasheet specifications. Fairchild does not recommend exceeding them or designing to absolute maximum ratings.

| Symbol   | Parameter                  | Min. | Max.     | Units            |
|----------|----------------------------|------|----------|------------------|
| $I_{FL}$ | Input Current, Low Level   | 0    | 250      | $\mu\text{A}$    |
| $I_{FH}$ | Input Current, High Level  | *6.3 | 15       | mA               |
| $V_{CC}$ | Supply Voltage, Output     | 4.5  | 5.5      | V                |
| $V_{EL}$ | Enable Voltage, Low Level  | 0    | 0.8      | V                |
| $V_{EH}$ | Enable Voltage, High Level | 2.0  | $V_{CC}$ | V                |
| $T_A$    | Low Level Supply Current   | -40  | +85      | $^\circ\text{C}$ |
| N        | Fan Out (TTL load)         |      | 8        |                  |

\*6.3mA is a guard banded value which allows for at least 20% CTR degradation. Initial input current threshold value is 5.0mA or less.

**Electrical Characteristics** ( $T_A = 0$  to  $70^\circ\text{C}$  unless otherwise specified)**Individual Component Characteristics**

| Symbol                    | Parameter                           | Test Conditions   | Min.           | Typ.*                                     | Max. | Unit                 |    |
|---------------------------|-------------------------------------|---|----------------|---|------|----------------------|----|
| <b>EMITTER</b>            |                                     |   |                |   |      |                      |    |
| $V_F$                     | Input Forward Voltage               | $I_F = 10\text{mA}$<br>$T_A = 25^\circ\text{C}$             |                |   | 1.8  | V                    |    |
|                           |                                     |   |                | 1.4                                       | 1.75 |                      |    |
| $B_{VR}$                  | Input Reverse Breakdown Voltage     | $I_R = 10\mu\text{A}$                                       | 5.0            |   |      | V                    |    |
| $C_{IN}$                  | Input Capacitance                   | $V_F = 0, f = 1\text{MHz}$                                  |                | 60  |      | pF                   |    |
| $\Delta V_F / \Delta T_A$ | Input Diode Temperature Coefficient | $I_F = 10\text{mA}$   |                | -1.4                                      |      | mV/ $^\circ\text{C}$ |    |
| <b>DETECTOR</b>           |                                     |   |                |   |      |                      |    |
| $I_{CCH}$                 | High Level Supply Current           | $V_{CC} = 5.5\text{V}, I_F = 0\text{mA}, V_E = 0.5\text{V}$ | Single Channel |   | 7    | 10                   | mA |
|                           |                                     |   | Dual Channel   |   | 10   | 15                   |    |
| $I_{CCL}$                 | Low Level Supply Current            |   | Single Channel | $V_{CC} = 5.5\text{V}, I_F = 10\text{mA}$ | 9    | 13                   | mA |
|                           |                                     |   | Dual Channel   | $V_E = 0.5\text{V}$                       | 14   | 21                   |    |
| $I_{EL}$                  | Low Level Enable Current            | $V_{CC} = 5.5\text{V}, V_E = 0.5\text{V}$                   |                | -0.8                                      | -1.6 | mA                   |    |
| $I_{EH}$                  | High Level Enable Current           | $V_{CC} = 5.5\text{V}, V_E = 2.0\text{V}$                   |                | -0.6                                      | -1.6 | mA                   |    |
| $V_{EH}$                  | High Level Enable Voltage           | $V_{CC} = 5.5\text{V}, I_F = 10\text{mA}$                   | 2.0            |   |      | V                    |    |
| $V_{EL}$                  | Low Level Enable Voltage            | $V_{CC} = 5.5\text{V}, I_F = 10\text{mA}^{(3)}$             |                |   | 0.8  | V                    |    |

**Switching Characteristics** ( $T_A = -40^\circ\text{C}$  to  $+85^\circ\text{C}$ ,  $V_{CC} = 5\text{V}$ ,  $I_F = 7.5\text{mA}$  unless otherwise specified)

| Symbol                | AC Characteristics                                    | Test Conditions   | Min.               | Typ.* | Max.   | Unit             |
|-----------------------|---|---|--------------------|-------|--------|------------------|
| $T_{PLH}$             | Propagation Delay Time to Output HIGH Level           | $R_L = 350\Omega, C_L = 15\text{pF}^{(4)}$ (Fig. 12)<br>$T_A = 25^\circ\text{C}$  | 20                 | 45    | 75     | ns               |
|                       |   |   |                    |       | 100    |                  |
| $T_{PHL}$             | Propagation Delay Time to Output LOW Level            | $T_A = 25^\circ\text{C}^{(5)}$<br>$R_L = 350\Omega, C_L = 15\text{pF}$ (Fig. 12)  | 25                 | 45    | 75     | ns               |
|                       |   |   |                    |       | 100    |                  |
| $ T_{PHL} - T_{PLH} $ | Pulse Width Distortion                                | $(R_L = 350\Omega, C_L = 15\text{pF})$ (Fig. 12)  |                    | 3     | 35     | ns               |
| $t_r$                 | Output Rise Time (10–90%)                             | $R_L = 350\Omega, C_L = 15\text{pF}^{(6)}$ (Fig. 12)  |                    | 50    |        | ns               |
| $t_f$                 | Output Rise Time (90–10%)                             | $R_L = 350\Omega, C_L = 15\text{pF}^{(7)}$ (Fig. 12)  |                    | 12    |        | ns               |
| $t_{ELH}$             | Enable Propagation Delay Time to Output HIGH Level    | $I_F = 7.5\text{mA}, V_{EH} = 3.5\text{V}, R_L = 350\Omega, C_L = 15\text{pF}^{(8)}$ (Fig. 13)  |                    | 20    |        | ns               |
| $t_{EHL}$             | Enable Propagation Delay Time to Output LOW Level     | $I_F = 7.5\text{mA}, V_{EH} = 3.5\text{V}, R_L = 350\Omega, C_L = 15\text{pF}^{(9)}$ (Fig. 13)  |                    | 20    |        | ns               |
| $ICM_H$               | Common Mode Transient Immunity (at Output HIGH Level) | $T_A = 25^\circ\text{C},  V_{CM}  = 50\text{V}$ (Peak), $I_F = 0\text{mA}, V_{OH}$ (Min.) = $2.0\text{V}, R_L = 350\Omega^{(10)}$ (Fig. 14) | 6N137, HCPL2630    |       | 10,000 | V/ $\mu\text{s}$ |
|                       |   |   | HCPL2601, HCPL2631 |       | 5000   |                  |
|                       |   | $ V_{CM}  = 400\text{V}$  | HCPL2611           |       | 10,000 |                  |
| $ICM_L$               | Common Mode Transient Immunity (at Output LOW Level)  | $R_L = 350\Omega, I_F = 7.5\text{mA}, V_{OL}$ (Max.) = $0.8\text{V}, T_A = 25^\circ\text{C}^{(11)}$ (Fig. 14)                               | 6N137, HCPL2630    |       | 10,000 | V/ $\mu\text{s}$ |
|                       |   |   | HCPL2601, HCPL2631 |       | 5000   |                  |
|                       |   | $ V_{CM}  = 400\text{V}$  | HCPL2611           |       | 10,000 |                  |

**Electrical Characteristics** (Continued)**Transfer Characteristics** ( $T_A = -40$  to  $+85^\circ\text{C}$  unless otherwise specified)

| Symbol   | DC Characteristics        | Test Conditions  | Min. | Typ.* | Max. | Unit          |
|----------|---------------------------|--|------|-------|------|---------------|
| $I_{OH}$ | HIGH Level Output Current | $V_{CC} = 5.5\text{V}$ , $V_O = 5.5\text{V}$ ,<br>$I_F = 250\mu\text{A}$ , $V_E = 2.0\text{V}^{(2)}$ |      |       | 100  | $\mu\text{A}$ |
| $V_{OL}$ | LOW Level Output Current  | $V_{CC} = 5.5\text{V}$ , $I_F = 5\text{mA}$ , $V_E = 2.0\text{V}$ ,<br>$I_{CL} = 13\text{mA}^{(2)}$  |      | .35   | 0.6  | V             |
| $I_{FT}$ | Input Threshold Current   | $V_{CC} = 5.5\text{V}$ , $V_O = 0.6\text{V}$ , $V_E = 2.0\text{V}$ ,<br>$I_{OL} = 13\text{mA}$       |      | 3     | 5    | mA            |

**Isolation Characteristics** ( $T_A = -40^\circ\text{C}$  to  $+85^\circ\text{C}$  unless otherwise specified.)

| Symbol    | Characteristics                         | Test Conditions   | Min. | Typ.*     | Max. | Unit          |
|-----------|---|---|------|-----------|------|---------------|
| $I_{I-O}$ | Input-Output Insulation Leakage Current | Relative humidity = 45%,<br>$T_A = 25^\circ\text{C}$ , $t = 5\text{s}$ ,<br>$V_{I-O} = 3000\text{VDC}^{(12)}$ |      |           | 1.0* | $\mu\text{A}$ |
| $V_{ISO}$ | Withstand Insulation Test Voltage       | $RH < 50\%$ , $T_A = 25^\circ\text{C}$ ,<br>$I_{I-O} \leq 2\mu\text{A}$ , $t = 1\text{min.}^{(12)}$           | 2500 |           |      | $V_{RMS}$     |
| $R_{I-O}$ | Resistance (Input to Output)            | $V_{I-O} = 500\text{V}^{(12)}$  |      | $10^{12}$ |      | $\Omega$      |
| $C_{I-O}$ | Capacitance (Input to Output)           | $f = 1\text{MHz}^{(12)}$  |      | 0.6       |      | pF            |

\*All Typical at  $V_{CC} = 5\text{V}$ ,  $T_A = 25^\circ\text{C}$

**Notes:**

- The  $V_{CC}$  supply to each optoisolator must be bypassed by a  $0.1\mu\text{F}$  capacitor or larger. This can be either a ceramic or solid tantalum capacitor with good high frequency characteristic and should be connected as close as possible to the package  $V_{CC}$  and GND pins of each device.
- Each channel.
- Enable Input – No pull up resistor required as the device has an internal pull up resistor.
- $t_{PLH}$  – Propagation delay is measured from the  $3.75\text{mA}$  level on the HIGH to LOW transition of the input current pulse to the  $1.5\text{V}$  level on the LOW to HIGH transition of the output voltage pulse.
- $t_{PHL}$  – Propagation delay is measured from the  $3.75\text{mA}$  level on the LOW to HIGH transition of the input current pulse to the  $1.5\text{V}$  level on the HIGH to LOW transition of the output voltage pulse.
- $t_r$  – Rise time is measured from the 90% to the 10% levels on the LOW to HIGH transition of the output pulse.
- $t_f$  – Fall time is measured from the 10% to the 90% levels on the HIGH to LOW transition of the output pulse.
- $t_{ELH}$  – Enable input propagation delay is measured from the  $1.5\text{V}$  level on the HIGH to LOW transition of the input voltage pulse to the  $1.5\text{V}$  level on the LOW to HIGH transition of the output voltage pulse.
- $t_{EHL}$  – Enable input propagation delay is measured from the  $1.5\text{V}$  level on the LOW to HIGH transition of the input voltage pulse to the  $1.5\text{V}$  level on the HIGH to LOW transition of the output voltage pulse.
- $CM_H$  – The maximum tolerable rate of rise of the common mode voltage to ensure the output will remain in the HIGH state (i.e.,  $V_{OUT} > 2.0\text{V}$ ). Measured in volts per microsecond ( $\text{V}/\mu\text{s}$ ).
- $CM_L$  – The maximum tolerable rate of rise of the common mode voltage to ensure the output will remain in the LOW output state (i.e.,  $V_{OUT} < 0.8\text{V}$ ). Measured in volts per microsecond ( $\text{V}/\mu\text{s}$ ).
- Device considered a two-terminal device: Pins 1, 2, 3 and 4 shorted together, and Pins 5, 6, 7 and 8 shorted together.

## Typical Performance Curves

Fig.1 Low Level Output Voltage vs. Ambient Temperature

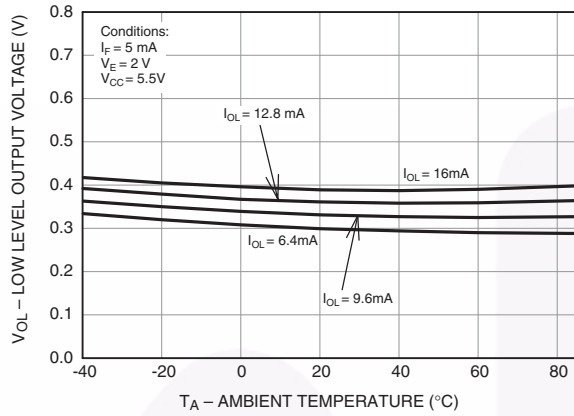


Fig. 2 Input Diode Forward Voltage vs. Forward Current

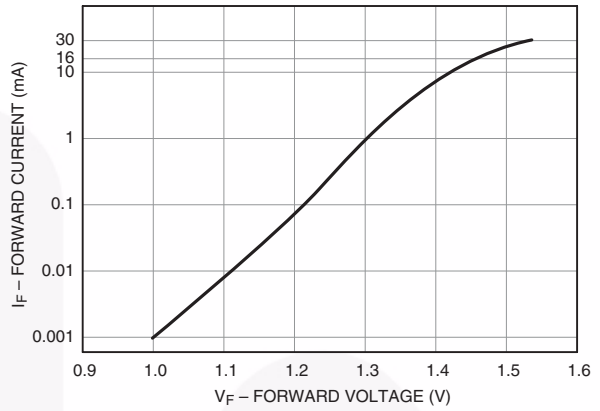


Fig.3 Switching Time vs. Forward Current

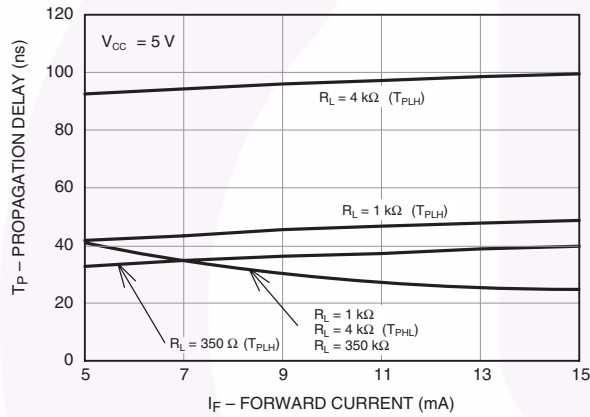


Fig. 4 Low Level Output Current vs. Ambient Temperature

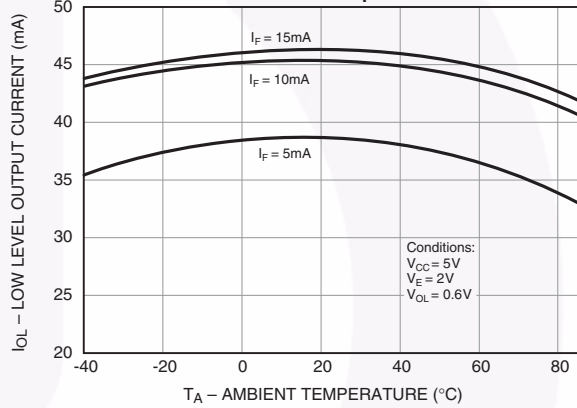


Fig. 5 Input Threshold Current vs. Ambient Temperature

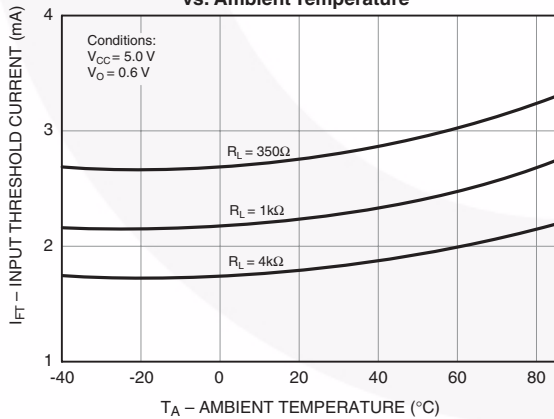
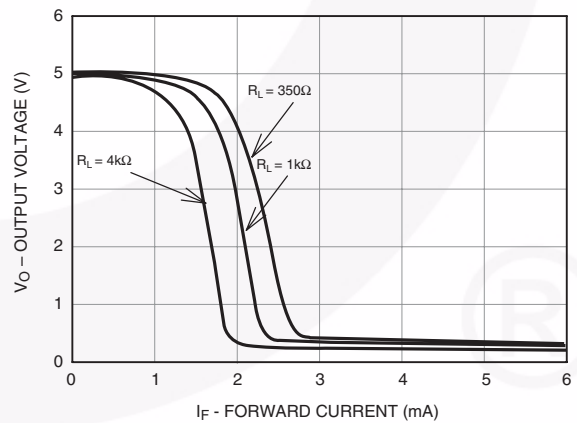


Fig. 6 Output Voltage vs. Input Forward Current



Typical Performance Curves (Continued)

Fig. 7 Pulse Width Distortion vs. Temperature

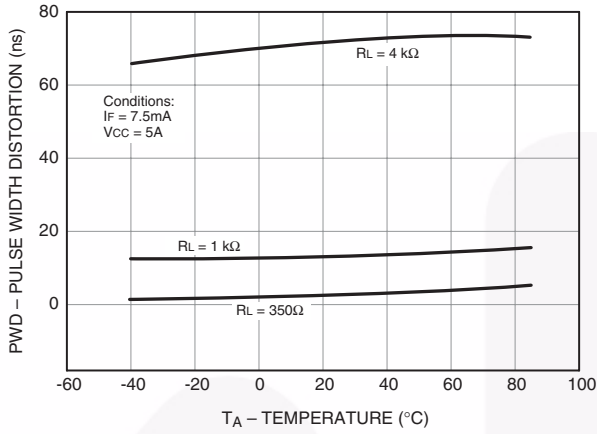


Fig. 8 Rise and Fall Time vs. Temperature

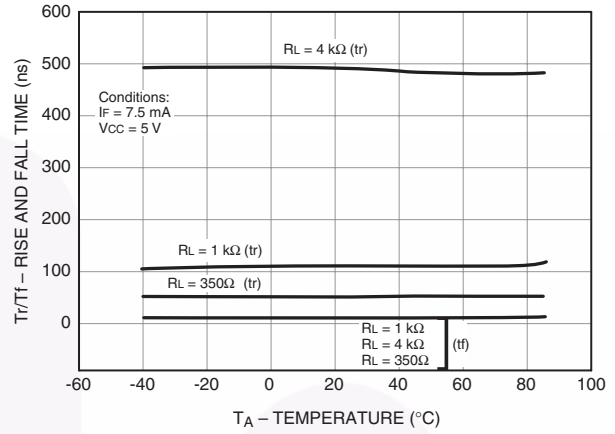


Fig. 9 Enable Propagation Delay vs. Temperature

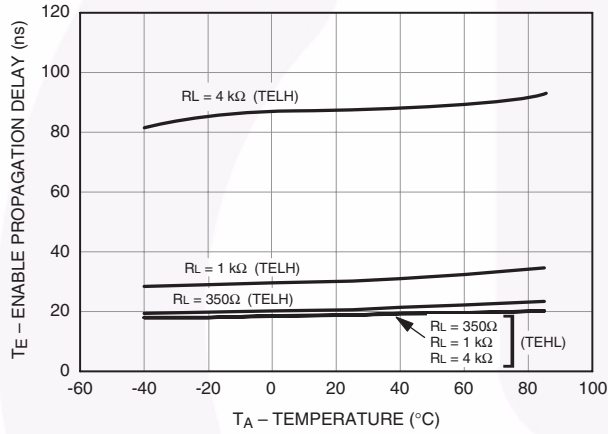


Fig. 10 Switching Time vs. Temperature

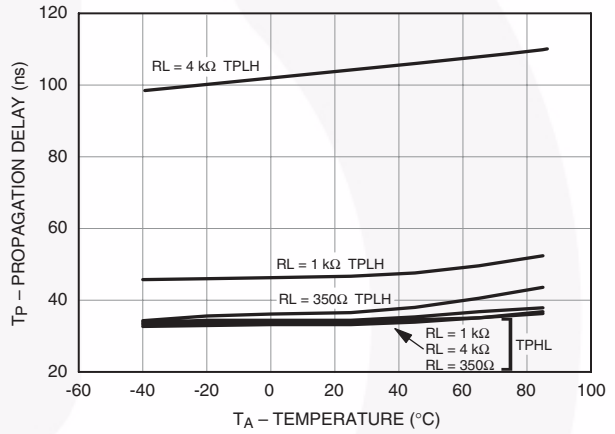
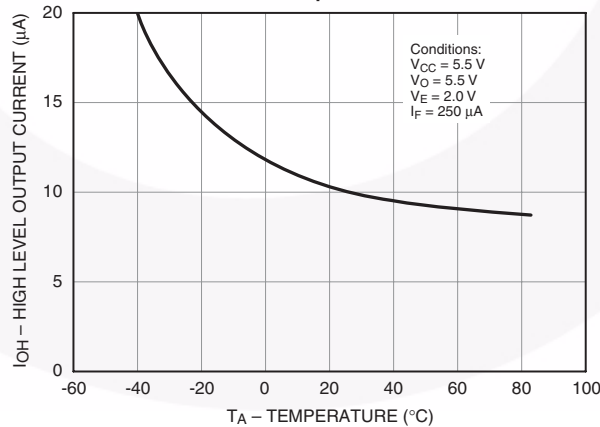


Fig. 11 High Level Output Current vs. Temperature



### Test Circuits

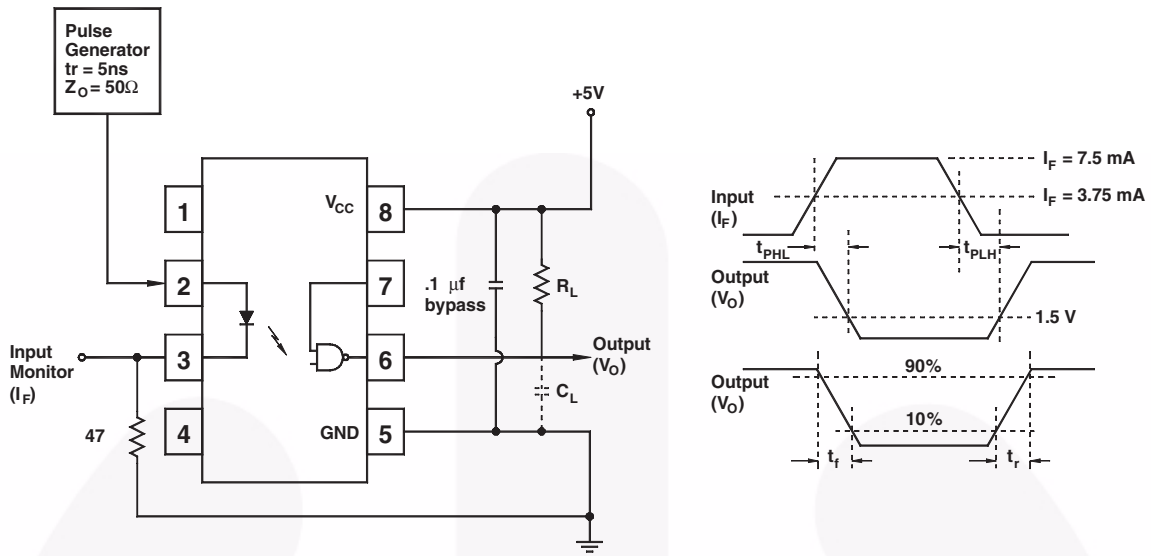


Fig. 12 Test Circuit and Waveforms for  $t_{PLH}$ ,  $t_{PHL}$ ,  $t_r$  and  $t_f$

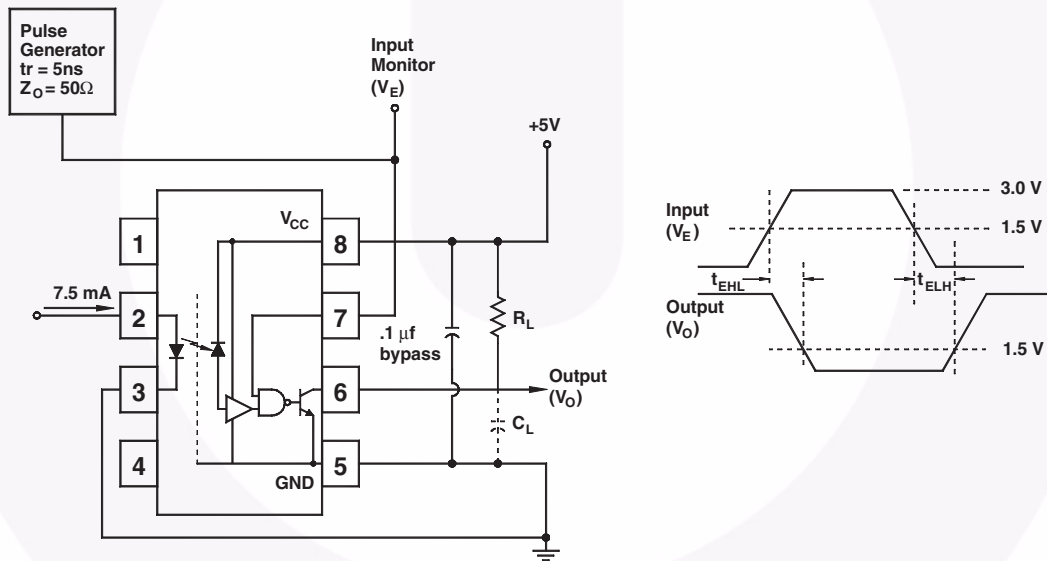


Fig. 13 Test Circuit  $t_{EHL}$  and  $t_{ELH}$



Test Circuits (Continued)

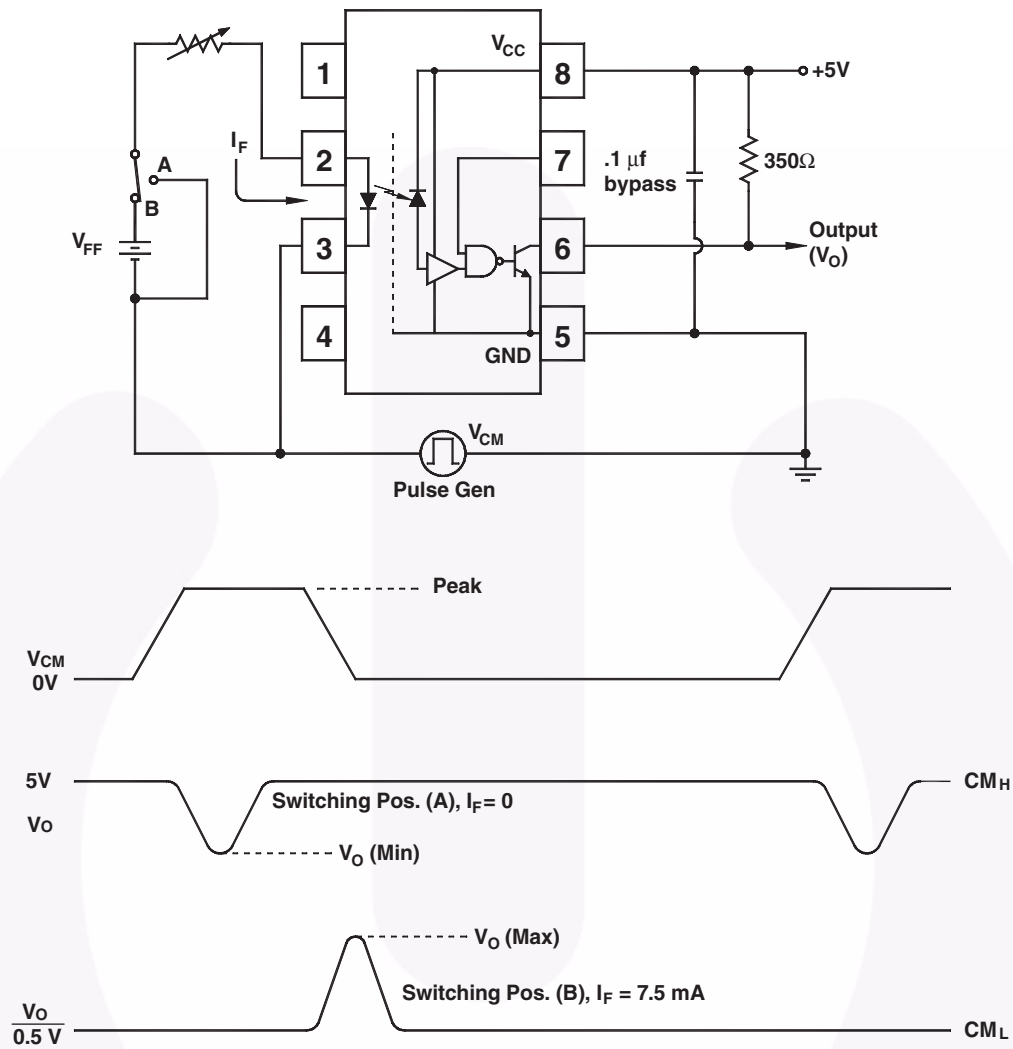
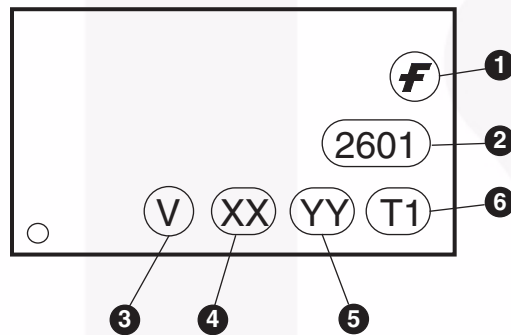


Fig. 14 Test Circuit Common Mode Transient Immunity

### Ordering Information

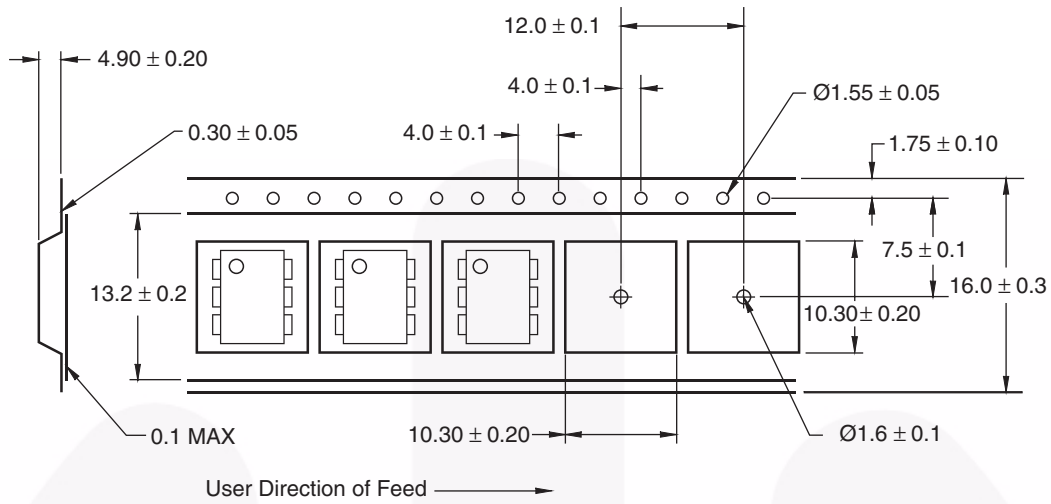
| Option | Example Part Number | Description                           |
|--------|---------------------|---------------------------------------|
| S      | 6N137S              | Surface Mount Lead Bend               |
| SD     | 6N137SD             | Surface Mount; Tape and Reel          |
| W      | 6N137W              | 0.4" Lead Spacing                     |
| V      | 6N137V              | VDE0884                               |
| WV     | 6N137WV             | VDE0884; 0.4" Lead Spacing            |
| SV     | 6N137SV             | VDE0884; Surface Mount                |
| SDV    | 6N137SDV            | VDE0884; Surface Mount; Tape and Reel |

### Marking Information



| Definitions |  |
|-------------|--|
| 1           | Fairchild logo   |
| 2           | Device number  |
| 3           | VDE mark (Note: Only appears on parts ordered with VDE option – See order entry table) |
| 4           | Two digit year code, e.g., '03'  |
| 5           | Two digit work week ranging from '01' to '53'  |
| 6           | Assembly package code  |

### Tape Specifications



### Reflow Profile



- Peak reflow temperature: 225°C (package surface temperature)
- Time of temperature higher than 183°C for 60–150 seconds
- One time soldering reflow is recommended

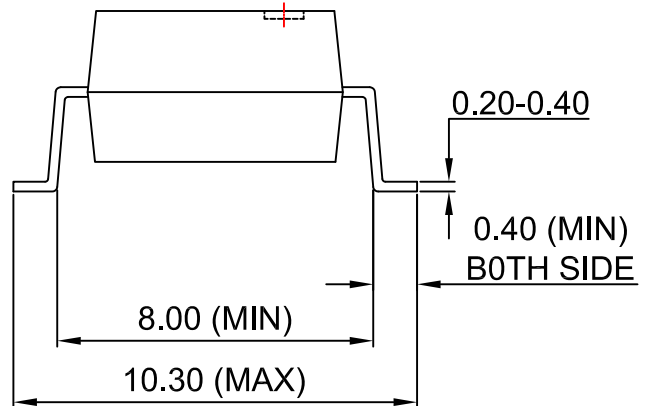


- NOTES:
- A) NO STANDARD APPLIES TO THIS PACKAGE
  - B) ALL DIMENSIONS ARE IN MILLIMETERS.
  - C) DIMENSIONS ARE EXCLUSIVE OF BURRS, MOLD FLASH, AND TIE BAR EXTRUSION
  - D) DRAWING FILENAME AND REVISION: MKT-N08GREV7





LAND PATTERN RECOMMENDATION



NOTES:

- A) NO STANDARD APPLIES TO THIS PACKAGE
- B) ALL DIMENSIONS ARE IN MILLIMETERS.
- C) DIMENSIONS ARE EXCLUSIVE OF BURRS, MOLD FLASH, AND TIE BAR EXTRUSION
- D) DRAWING FILENAME AND REVISION: MKT-N08Hrev7.





PIN 1

15.0° (MAX)

10.16 (TYP)

0.20-0.40



NOTES:

- A) NO STANDARD APPLIES TO THIS PACKAGE
- B) ALL DIMENSIONS ARE IN MILLIMETERS.
- C) DIMENSIONS ARE EXCLUSIVE OF BURRS, MOLD FLASH, AND TIE BAR EXTRUSION
- D) DRAWING FILENAME AND REVISION: MKT-N08REV7



ON Semiconductor and  are trademarks of Semiconductor Components Industries, LLC dba ON Semiconductor or its subsidiaries in the United States and/or other countries. ON Semiconductor owns the rights to a number of patents, trademarks, copyrights, trade secrets, and other intellectual property. A listing of ON Semiconductor's product/patent coverage may be accessed at [www.onsemi.com/site/pdf/Patent-Marking.pdf](http://www.onsemi.com/site/pdf/Patent-Marking.pdf). ON Semiconductor reserves the right to make changes without further notice to any products herein. ON Semiconductor makes no warranty, representation or guarantee regarding the suitability of its products for any particular purpose, nor does ON Semiconductor assume any liability arising out of the application or use of any product or circuit, and specifically disclaims any and all liability, including without limitation special, consequential or incidental damages. Buyer is responsible for its products and applications using ON Semiconductor products, including compliance with all laws, regulations and safety requirements or standards, regardless of any support or applications information provided by ON Semiconductor. "Typical" parameters which may be provided in ON Semiconductor data sheets and/or specifications can and do vary in different applications and actual performance may vary over time. All operating parameters, including "Typicals" must be validated for each customer application by customer's technical experts. ON Semiconductor does not convey any license under its patent rights nor the rights of others. ON Semiconductor products are not designed, intended, or authorized for use as a critical component in life support systems or any FDA Class 3 medical devices or medical devices with a same or similar classification in a foreign jurisdiction or any devices intended for implantation in the human body. Should Buyer purchase or use ON Semiconductor products for any such unintended or unauthorized application, Buyer shall indemnify and hold ON Semiconductor and its officers, employees, subsidiaries, affiliates, and distributors harmless against all claims, costs, damages, and expenses, and reasonable attorney fees arising out of, directly or indirectly, any claim of personal injury or death associated with such unintended or unauthorized use, even if such claim alleges that ON Semiconductor was negligent regarding the design or manufacture of the part. ON Semiconductor is an Equal Opportunity/Affirmative Action Employer. This literature is subject to all applicable copyright laws and is not for resale in any manner.

## PUBLICATION ORDERING INFORMATION

### LITERATURE FULFILLMENT:

Literature Distribution Center for ON Semiconductor  
19521 E. 32nd Pkwy, Aurora, Colorado 80011 USA  
**Phone:** 303-675-2175 or 800-344-3860 Toll Free USA/Canada  
**Fax:** 303-675-2176 or 800-344-3867 Toll Free USA/Canada  
**Email:** [orderlit@onsemi.com](mailto:orderlit@onsemi.com)

**N. American Technical Support:** 800-282-9855 Toll Free  
USA/Canada  
**Europe, Middle East and Africa Technical Support:**  
Phone: 421 33 790 2910  
**Japan Customer Focus Center**  
Phone: 81-3-5817-1050

**ON Semiconductor Website:** [www.onsemi.com](http://www.onsemi.com)  
**Order Literature:** <http://www.onsemi.com/orderlit>  
For additional information, please contact your local  
Sales Representative