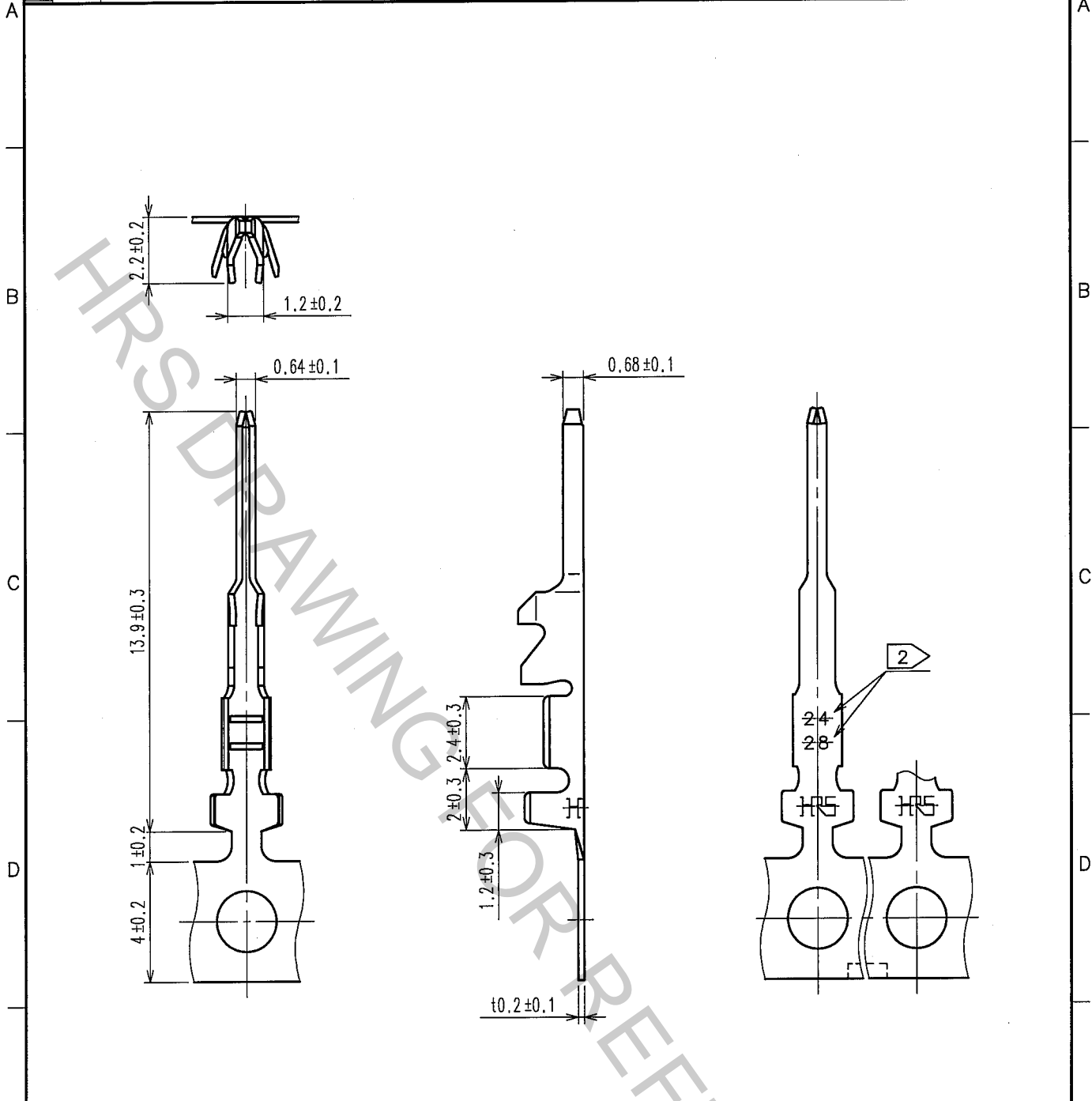


1	2			3			4		
COUNT	DESCRIPTION OF REVISIONS	BY	CHKD	DATE	COUNT	DESCRIPTION OF REVISIONS	BY	CHKD	DATE
△					△				
△					△				
△					△				



Note 1 :10000 Pieces/Reel  
 2 :Indicated Applicable Cable Size.

1	Phosphor Bronze	Tin Plating 1μ m min.
NO.	MATERIAL	FINISH, REMARKS

CODE NO. (OLD)	DRAWN	DESIGNED	CHECKED	APPROVED	RELEASED
	T.FUKUSHIMA	T.fukushima	H.Umehara	J.Oma	
	07.03.19	07.03.19	07.03.20	07.03.20	

 SCALE 5 : 1 UNITS mm	DRAWING NO. EDC4-161022-01	PART NO. DF1E-2428PCF
	 HIROSE ELECTRIC CO.,LTD.	CODE NO. CL541-0939-3

TO