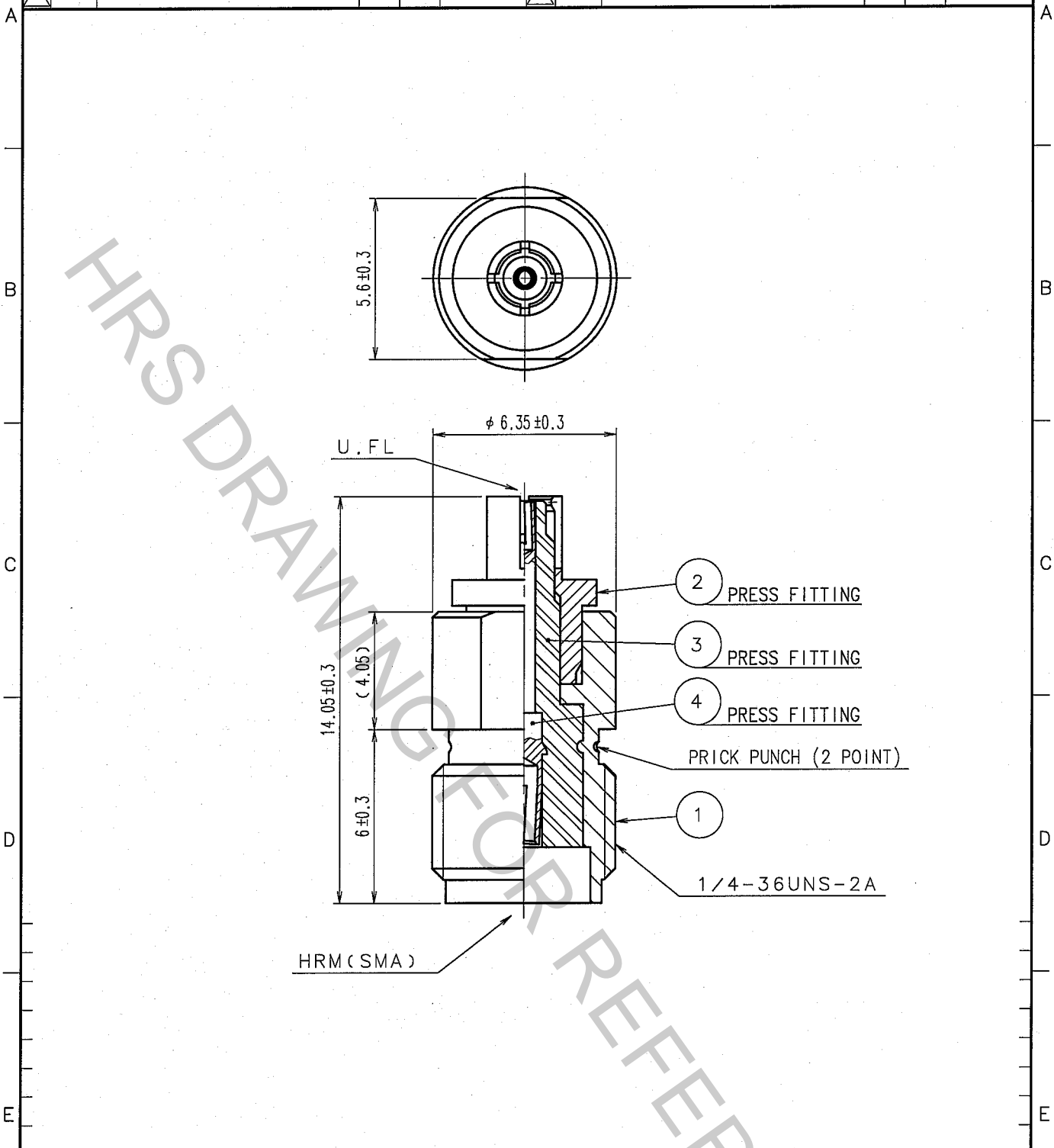


1			2			3			4		
COUNT	DESCRIPTION OF REVISIONS	BY	CHKD	DATE	COUNT	DESCRIPTION OF REVISIONS	BY	CHKD	DATE		
△					△						
△					△						
△					△						



2	BERYLLIUM COPPER	NICKEL PLATING	4	BERYLLIUM COPPER	GOLD PLATING
1	BRASS	NICKEL PLATING	3	PTFE	
NO.	MATERIAL	FINISH, REMARKS	NO.	MATERIAL	FINISH, REMARKS

CODE NO. (OLD) CL	DRAWN M. Watanabe	DESIGNED M. Watanabe	CHECKED H. Shimizu	APPROVED I. Mitani	RELEASED
RoHS COMPLIANT					
		'05. 9. 7	'05. 9. 7	'05.09.09	'05-09-12

 SACLE 5 : 1 UNITS mm	DRAWING NO. EDC4-131960-40	PART NO. HRMJ-U.FLP(40)
	 HIROSE ELECTRIC CO.,LTD.	CODE NO. CL311-0301-5-40

TO  
RF