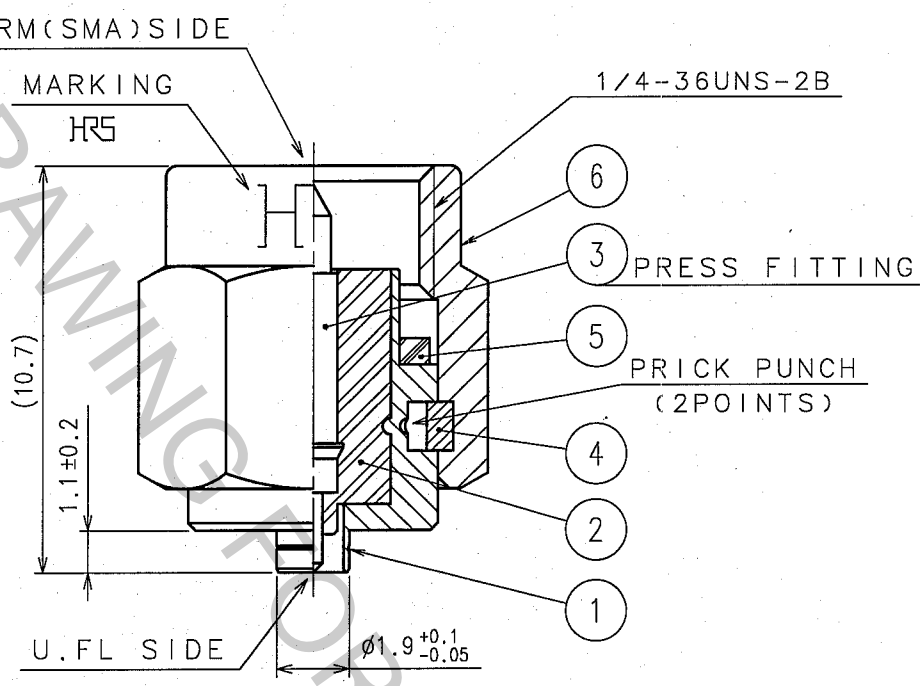
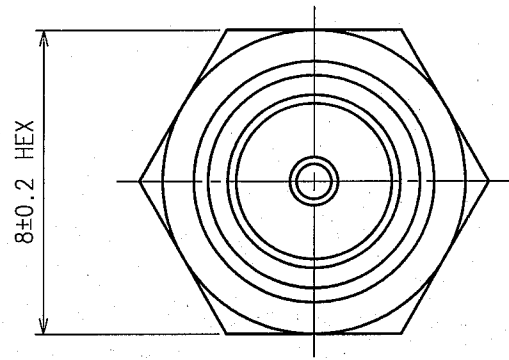


| 1 | | | 2 | | | 3 | | | 4 | | | | | |
|-------|--------------------------|----|------|------|-------|--------------------------|----|------|------|-------|--------------------------|----|------|------|
| COUNT | DESCRIPTION OF REVISIONS | BY | CHKD | DATE | COUNT | DESCRIPTION OF REVISIONS | BY | CHKD | DATE | COUNT | DESCRIPTION OF REVISIONS | BY | CHKD | DATE |
| △ | | | | .. | △ | | | | .. | | | | | .. |
| △ | | | | .. | △ | | | | .. | | | | | .. |
| △ | | | | .. | △ | | | | .. | | | | | .. |



NOTE. USE ONLY FOR ELECTRICAL MEASUREMENT
BECAUSE OF NO LOCKING DEVICE IN MATING
PORTION ON U.FL SIDE.

| 3 | BRASS | GOLD PLATED | 6 | STAINLESS STEEL | PASSIVATE |
|-----|-----------------|-----------------|-----|------------------|-----------------|
| 2 | PTFE | | 5 | SILICONE RUBBER | (RED) |
| 1 | STAINLESS STEEL | NICKEL PLATED | 4 | BERYLLIUM COPPER | NICKEL PLATED |
| NO. | MATERIAL | FINISH, REMARKS | NO. | MATERIAL | FINISH, REMARKS |

| | | | | | |
|----------------------|----------------------------------|-------------------------------------|-----------------------------------|-----------------------------------|----------|
| CODE NO. (OLD) CL | DRAWN Y. Sugiyama 05.11.22 | DESIGNED T. Katayama 05.11.22 | CHECKED H. Shinizu 05.11.24 | APPROVED I. Mitani 05.11.24 | RELEASED |
| RoHS COMPLIANT | | | | | |

| | | |
|----------------|--------------------------------------|-----------------------------|
| SCALE 5 : 1 | DRAWING NO. EDC4-131959-40 | PART NO. HRMP-U.FLJ(40) |
| UNITS mm | HRS HIROSE ELECTRIC CO., LTD. | CODE NO. CL311-0300-2-40 |

TO
RF