

MODULAR CONNECTORS

CL 222 TM

Six-conductor plug with straight cover

Material · Finish

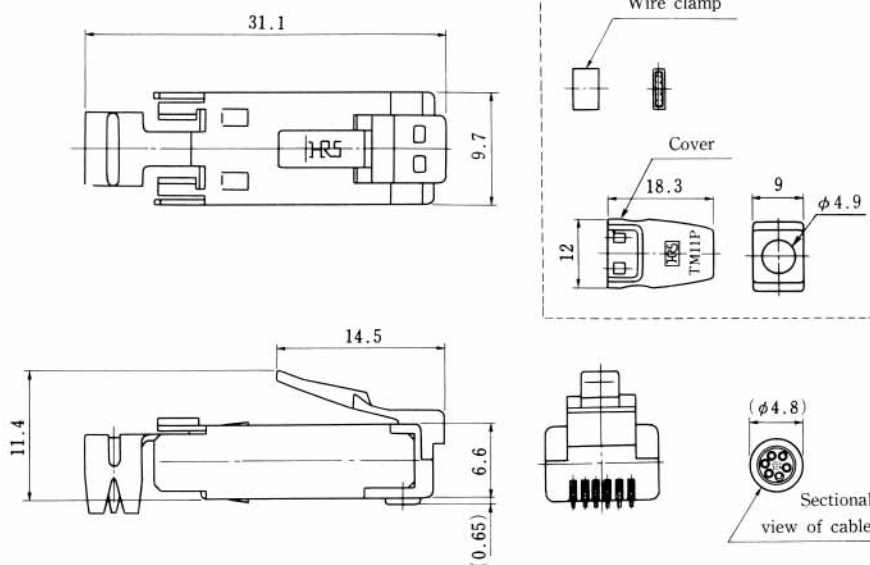
| Part name | Material | Finish |
|-----------|-----------------|-------------|
| Plug case | Polycarbonate | Clear |
| Terminal | Phosphor Bronze | Gold plated |
| Cover | Polycarbonate | Beige |

| Applicable Cable | |
|--------------------|-----------------------|
| Conductor diameter | Copper foil or AWG#26 |
| Insulator diameter | 0.9 ~ 1.0 |

Electrical Performance

| Item | Condition | Specification |
|-----------------------|-----------|---------------|
| Current rating | Per pin | 0.5A |
| Voltage rating | Per pin | 125V AC |
| Insulation Resistance | 100V DC | 100 M Min. |
| Withstanding Voltage | 1 minute | 500V r.m.s AC |

TM11P-66P(* *)



| CL No. | Part No. | Cover Color | RoHS |
|---------------|-----------------|-------------|------|
| 222-2149-9-50 | TM11P-66P(50) | Beige | YES |
| 222-2149-9-53 | TM11P-66P(53) | Black | |

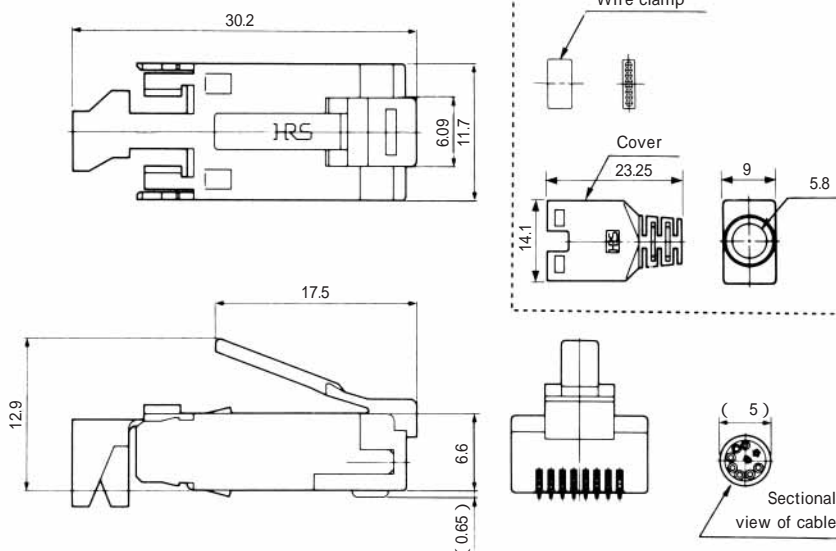
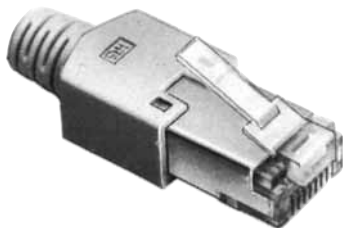
(Number of plugs in package : 100)

MODULAR CONNECTORS

CL 222 TM

Eight-conductor plug with straight cover

TM11AP-88P(**)



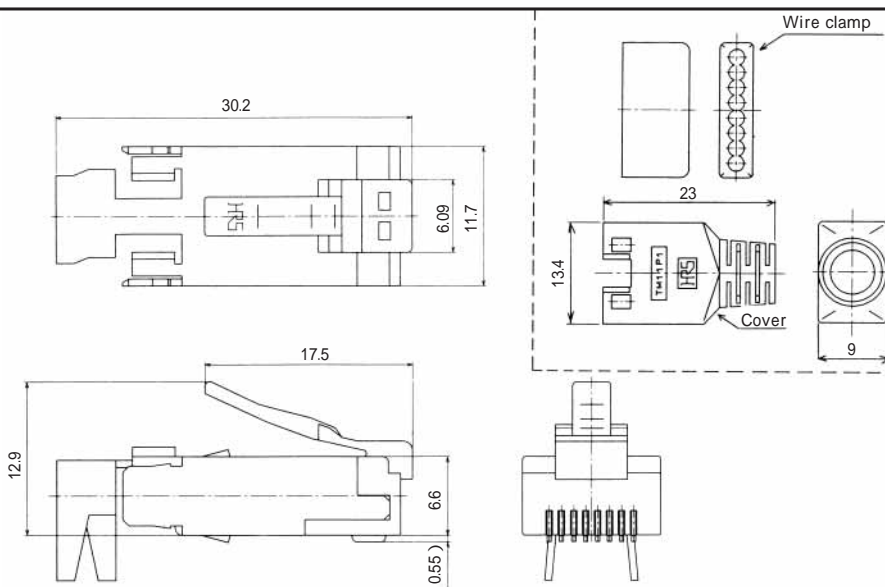
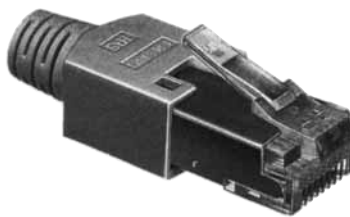
| CL No. | Part No. | Cover color | RoHS |
|---------------|------------------|--------------------|------|
| 222-2780-6 | TM11AP-88 | Beige | YES |
| 222-2780-6-02 | TM11AP-88P(02) | Medium gray | |
| 222-2780-6-03 | TM11AP-88P(03) | Black | |
| 222-2780-6-04 | TM11AP-88P(04) | Natural light gray | |

Note: This plug is NOT intended to be used for gang-jack.

(Number of plugs in package:100)

Eight-conductor thin straight plug with cover (For gang-jack)

TM11AP1-88P(* *)



| CL No. | Part No. | Cover color | RoHS |
|---------------|-------------------|--------------------|------|
| 222-2782-1 | TM11AP1-88P | Light beige | YES |
| 222-2782-1-02 | TM11AP1-88P(02) | Medium gray | |
| 222-2782-1-03 | TM11AP1-88P(03) | Black | |
| 222-2782-1-04 | TM11AP1-88P(04) | Natural light gray | |
| 222-2782-1-05 | TM11AP1-88P(05) | Red | |
| 222-2782-1-06 | TM11AP1-88P(06) | Green | |
| 222-2782-1-07 | TM11AP1-88P(07) | Blue | |
| 222-2782-1-08 | TM11AP1-88P(08) | Yellow | |
| 222-2782-1-09 | TM11AP1-88P(09) | Orange | |

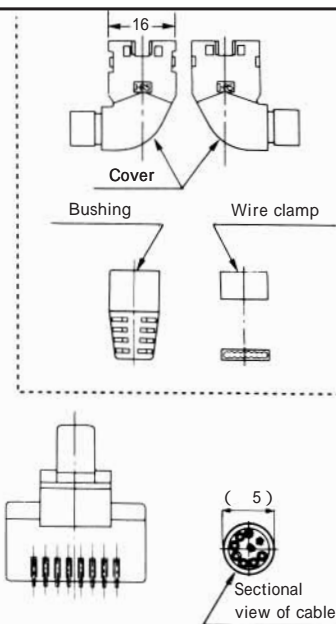
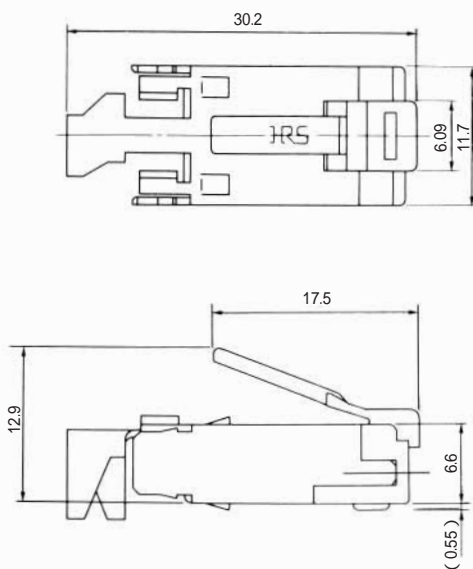
(Number of plugs in package:100)

MODULAR CONNECTORS

CL 222 TM

L-shaped 8-conductor plug with cover

TM11APA-88P(**)



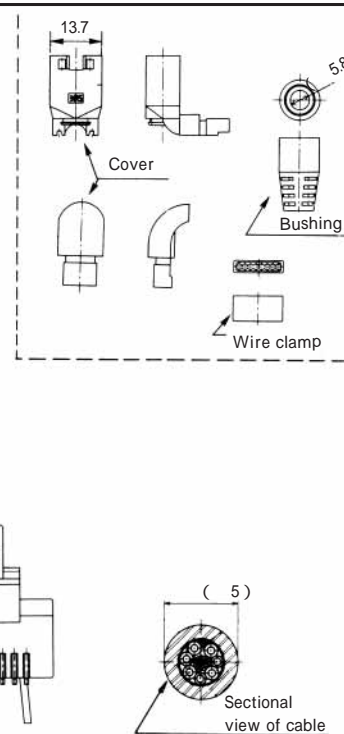
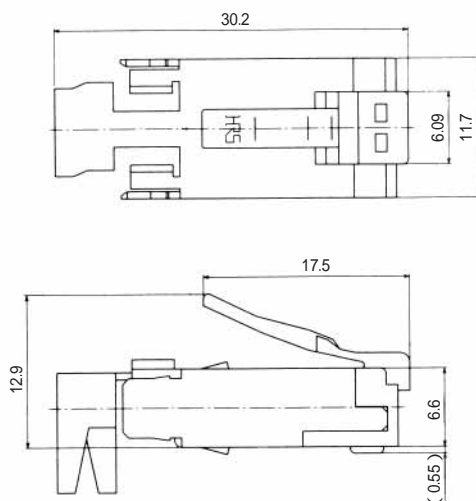
| CL No. | Part No. | Cover Color | RoHS |
|---------------|-----------------|-------------|------|
| 222-2781-9 | TM11APA-88P | Light beige | YES |
| 222-2781-9-03 | TM11APA-88P(03) | Black | |

(Number of plugs in package:100)

T-shaped 8-conductor plug with cover

TM11APA1-88P(**)

| CL No. | Part No. | RoHS |
|------------|--------------|------|
| 222-2783-4 | TM11APA1-88P | YES |



Note:Cover standard color is light beige

(Number of plugs in package:100)

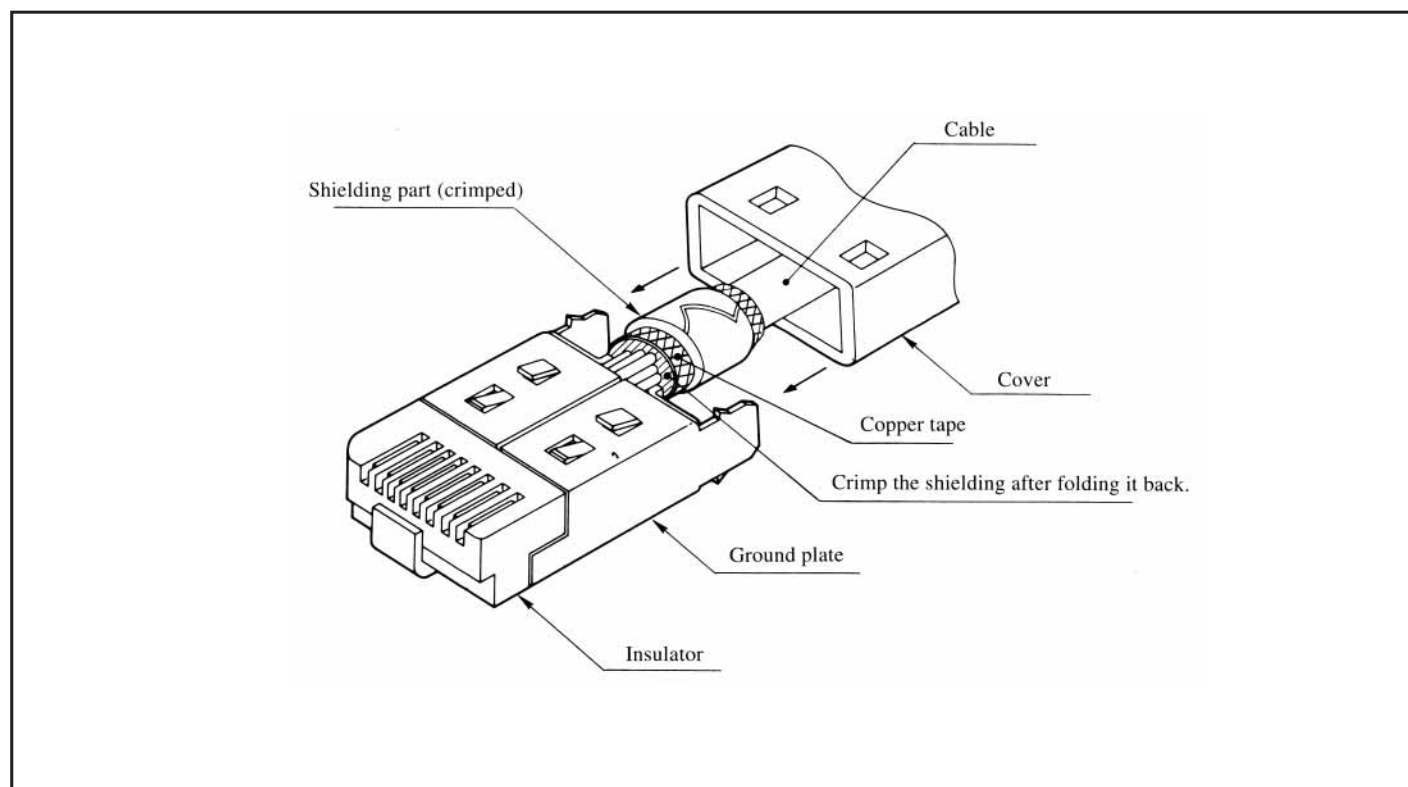
MODULAR CONNECTORS

CL 222 TM

PLUG WIRING TOOL

| Jig Plug | Cable Cramp Jig | | Terminal Crimping Jig | |
|--------------------------|-----------------|-----------------------------|-----------------------|-------------------------|
| | CL No. | Product No. | CL No. | Product No. |
| TM11P ^r J-66P | | TM11P66P cable crimping | 901-0938-4 | Applicator 105TM11P-66P |
| | 902-0132-8 | Hand press HOS-7 | 901-0005-4 | Model 105 crimping tool |
| TM11P ^r J-88P | 902-0077-1 | TM11P88P cable crimping jig | 901-0221-0 | Applicator 105TM11P-88P |
| | 902-0132-8 | Hand press HOS-7 | 901-0005-4 | Model 105 crimping tool |

PLUG ASSEMBLY DRAWING



Feb.1.2018 Copyright 2018 HIROSE ELECTRIC CO., LTD. All Rights Reserved.