

General Description

The PVI5033R Photovoltaic Isolator is a dual-channel, opto-isolated driver capable of directly driving gates of power MOSFETs or IGBTs. It utilizes a monolithic integrated circuit photovoltaic generator of novel construction as its output. The output is controlled by radiation from a GaAlAs light emitting diode (LED) which is optically isolated from the photovoltaic generator.

The PVI5033R is ideally suited for applications requiring high-current and/or high voltage switching with optical isolation between the low-level driving circuitry and high-energy or high-voltage load circuits. It can be used for directly driving gates of power MOSFETs. The dual-channel configuration allows its outputs to drive independent discrete power MOSFETs, or be connected in parallel or in series to provide higher-current drive for power MOSFETs or higher-voltage drive for IGBTs. PVI5033R employs a fast turn-off circuitry.

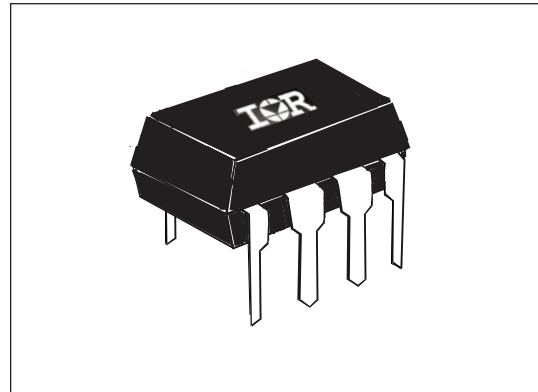
PVI5033R Photovoltaic Isolators are packaged in an 8-pin, molded DIP package with either thru-hole or “gull-wing” terminals. It is available in standard plastic shipping tubes or on tape-and-reel. Refer to Part Identification information.

Applications

- Telecommunications
- Load Distribution
- Industrial Controls
- Instrumentation and Measurement
- Electronic Ballast

Features

- Monolithic construction
- 3,750 V_{RMS} I/O isolation
- 1,200 V_{DC} output-to-output isolation
- Dual-Channel application flexibility
- Solid-State Reliability
- UL Recognized and BABT Certified



Part Identification

PVI5033RPbF	thru-hole
PVI5033RSPbF	SMT
PVI5033RS-TPbF	SMT, Tape and Reel

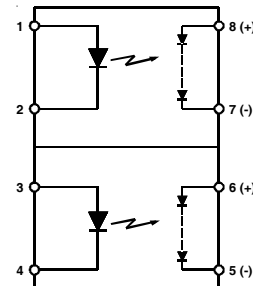
Electrical Specifications (-40°C ≤ T_A ≤ +85°C unless otherwise specified)

INPUT CHARACTERISTICS	Limits	Units
Min. Input Current (See Fig.1)	5.0	mA
Input Current Range (See Fig. 1)	3.0 to 25	mA
Max. Continuous Input Current @ T _A =+25°C	40	mA
LED Forward Voltage Drop @ 5mA, T _A =+25°C (See Fig. 3)	1.4	V
Max. Reverse Voltage	6.0	V
Max. Reverse Current @ -6VDC, T _A =+25°C	10	μA

OUTPUT CHARACTERISTICS	Limits	Units
Min. Forward Voltage	8.0	V _{DC}
Max. Reverse Current	10	μA _{DC}

COUPLED CHARACTERISTICS	Limits	Units
Min. Output Voltage @ I _{LED} = 10mA, R _L = 10MΩ @ T _A =0°C to +70°C (See Fig. 1 & 2)	5	V
Max. Output Voltage @ I _{LED} = 10mA, R _L = 10MΩ @ T _A =0°C to +70°C (See Fig. 1 & 2)	10	V
Max. Voltage Differential Between Outputs @ I _{LED} = 5mA, R _L = 10MΩ	1.0	V
Min. Output Short-Circuit Current @ I _{LED} = 5mA, @ T _A =+25°C (See Fig. 1 & 2)	1.65	μA
Typical Output Short-Circuit Current @ I _{LED} = 10mA, @ T _A =+25°C (See Fig. 1 & 2)	5	μA
Max. Turn-On Time @ I _{LED} = 5mA, C _{LOAD} = 200pF (See Fig. 4)	2.5	ms
Max. Turn-Off Time @ I _{LED} = 5mA, C _{LOAD} = 200pF (See Fig. 4)	.5	ms
Off-State Clamping Resistance: minimum	350	Ω
maximum	1500	Ω

GENERAL CHARACTERISTICS	Limits	Units
Min. Dielectric Strength, Input-Output	3750	V _{RMS}
Min. Dielectric Strength, Output-to-Output	1200	V _{DC}
Min. Insulation Resistance, Input-to-Output @ T _A =+25°C, 50%RH, 100V _{DC}	10 ¹²	Ω
Max. Capacitance, Input-Output	5.0	pF
Max. Pin Soldering Temperature (10 seconds max.)	+260	°C
Ambient Temperature Range: Operating	-40 to +85	°C
Storage	-40 to +125	°C

Connection Diagram


International Rectifier does not recommend the use of this product in aerospace, avionics, military or life support applications. Users of this International Rectifier product in such applications assume all risks of such use and indemnify International Rectifier against all damages resulting from such use.

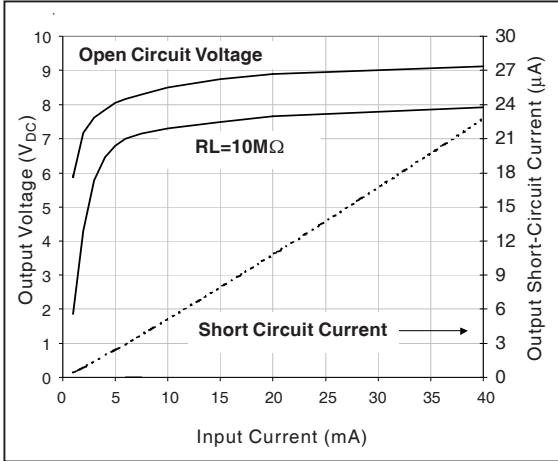


Figure 1. Typical Output Characteristics

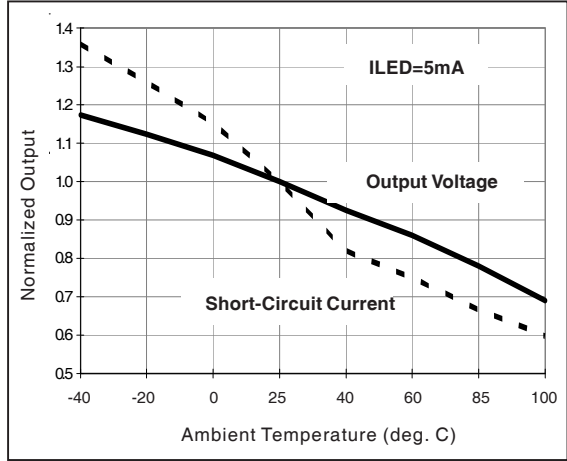


Figure 2. Typical Variation of Output

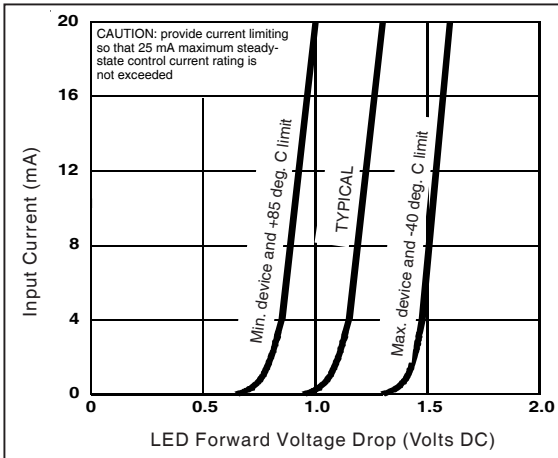


Figure 3. Input Characteristics (Current Controlled)

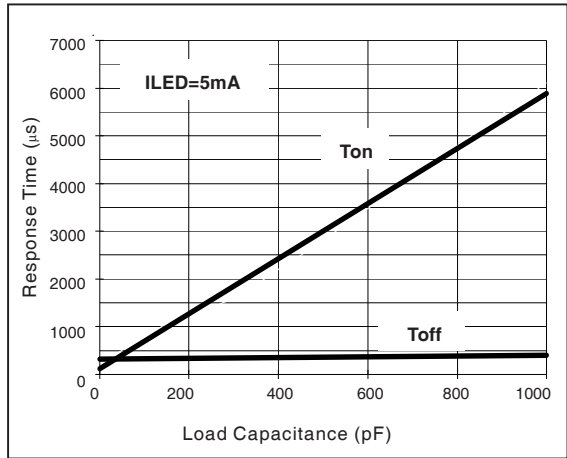
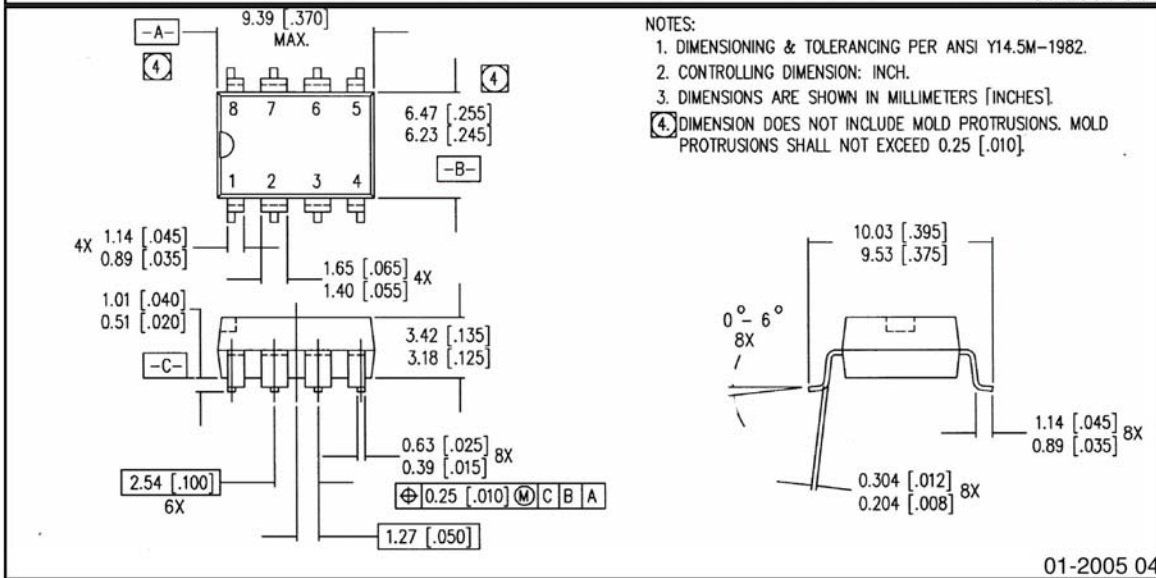
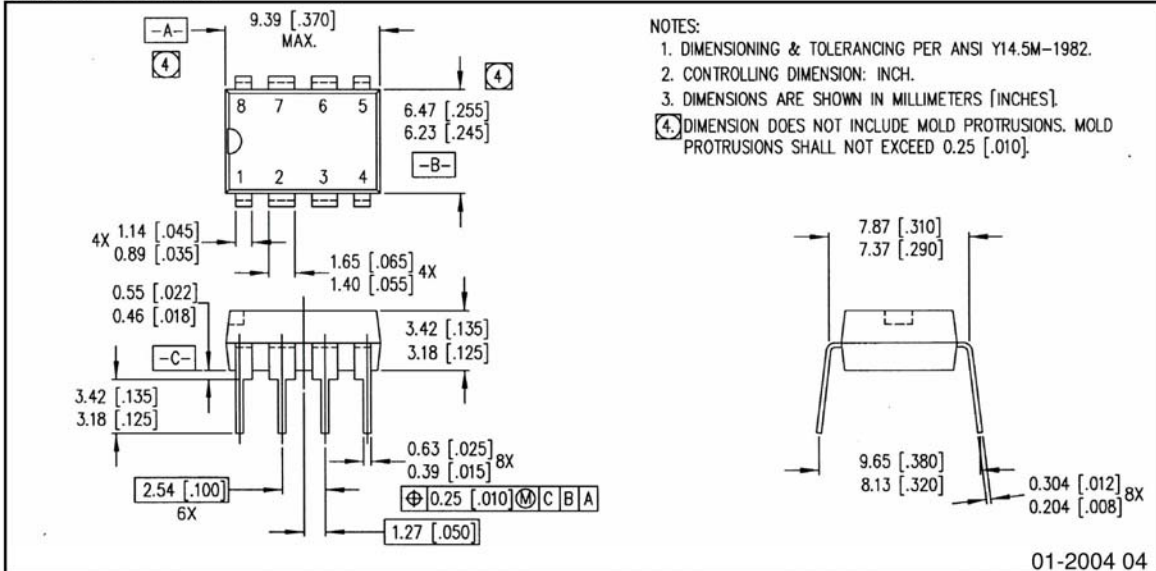


Figure 4. Typical Response Time

Case Outlines



Note: For the most current drawing please refer to IR website at: <http://www.irf.com/package/>

Qualification information[†]

Qualification level	Indusrid (per JEDEC JESD47I ^{††} guidelines)	
Moisture Sensitivity Level	PVI5033RPbF	N/A
	PVI5033RSPbF	MSL4
	PVI5033RS-TPbF	(per JEDEC J-STD-020E & JEDEC J-STD-033C ^{††})
RoHS compliant	Yes	

† Qualification standards can be found at International Rectifier's web site
<http://www.irf.com/product-info/reliability>

†† Applicable version of JEDEC standard at the time of product release.

Revision History

Date	Comment
4/24/2015	<ul style="list-style-type: none"> Added Qualification Information table on page 5. Updated data sheet based on corporate template.

International
 Rectifier

IR WORLD HEADQUARTERS: 101 N. Sepulveda Blvd., El Segundo, California 90245, USA
 To contact International Rectifier, please visit <http://www.irf.com/whoto-call/>