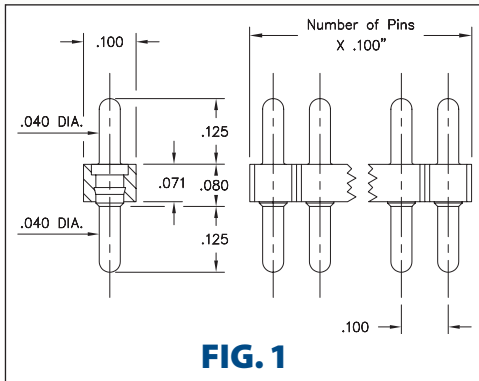
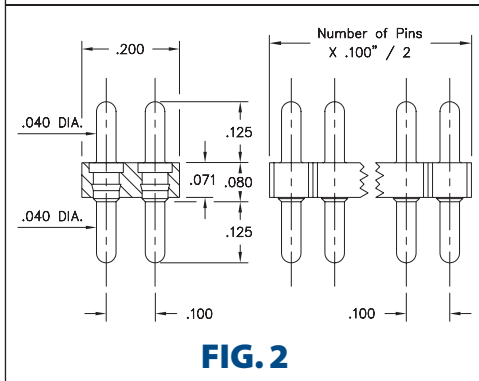


# INTERCONNECTS

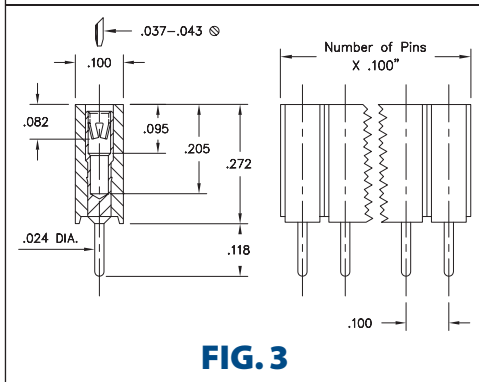
## SERIES 800, 801, 802, 803 • .100" GRID (.040" DIA. PINS), HEADERS AND SOCKETS • SINGLE AND DOUBLE ROW STRIPS



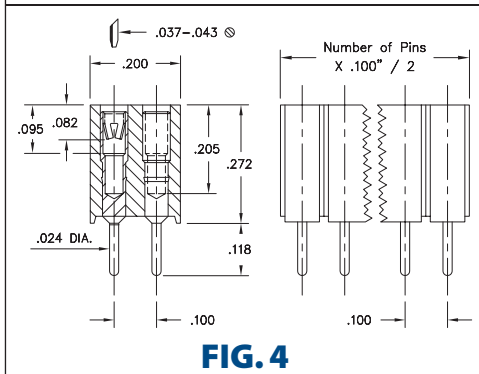
**FIG. 1**



**FIG. 2**

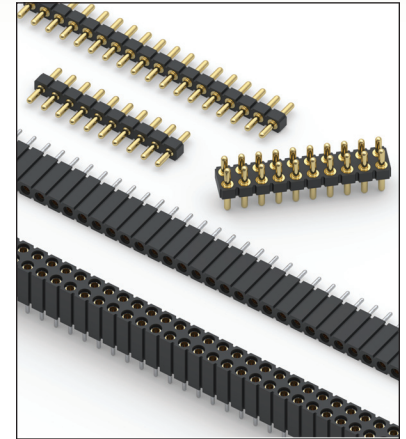


**FIG. 3**



**FIG. 4**

- Series 800 and 802 single and double row interconnects feature sturdy .040" dia. leads (MM #3077) and low profile (.071" thick) insulator. See page 215 for details
- Series 801 and 803 single and double row sockets use MM #1313 receptacles. See page 181 for details
- Series 801 and 803 receptacles use Hi-Rel, 6-finger BeCu #18 contact rated at 8 amps. Receptacles accept .037"-.043" diameter pins. See page 257 for details
- Insulators are high temperature thermoplastic, suitable for all soldering operations



### ORDERING INFORMATION

<b>FIG. 1</b>	<b>Series 800...10-004</b>	<b>Single Row Pin Header</b>		
	800-XX-0-10-004000	Specify number of pins → 01-50		
<b>FIG. 2</b>	<b>Series 802...10-004</b>	<b>Double Row Pin Header</b>		
	802-XX-10-004000	Specify number of pins → 004-100		
<span style="margin-left: 50px;">XX=Plating Code See Below</span> <span style="margin-left: 50px;">For Electrical, Mechanical &amp; Environmental Data, See page 264</span>				
<b>SPECIFY PLATING CODE XX=</b>		10	90	40
<b>Pin Plating</b>		10 μ" Au	200 μ" Sn/Pb	200 μ" Sn

<b>FIG. 3</b>	<b>Series 801...10-004</b>	<b>Single Row Socket</b>						
	801-XX-0-10-004000	Specify number of pins → 01-50						
<b>FIG. 4</b>	<b>Series 803...10-004</b>	<b>Double Row Socket</b>						
	803-XX-10-004000	Specify number of pins → 004-100						
<span style="margin-left: 50px;">XX=Plating Code See Below</span> <span style="margin-left: 50px;">For Electrical, Mechanical &amp; Environmental Data, See page 264</span>								
<b>SPECIFY PLATING CODE XX=</b>		13	91	93	99	41	43	44
<b>Sleeve (Pin)</b>		10 μ" Au	200 μ" Sn/Pb	200 μ" Sn/Pb	200 μ" Sn/Pb	200 μ" Sn	200 μ" Sn	200 μ" Sn
<b>Contact (Clip)</b>		30 μ" Au	10 μ" Au	30 μ" Au	100 μ" Sn/Pb	10 μ" Au	30 μ" Au	100 μ" Sn

