

IO SOCKETS

SERIES 388, 999 • MALE SHORTING JUMPERS & MICROPHONE SOCKETS

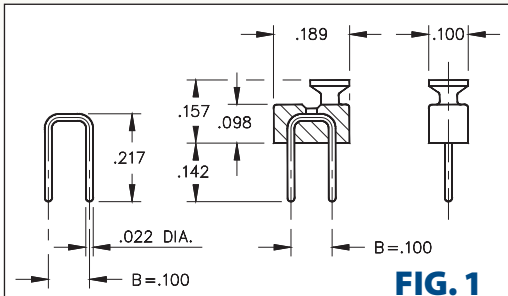


FIG. 1

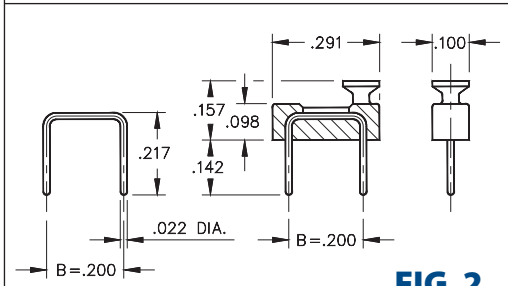


FIG. 2

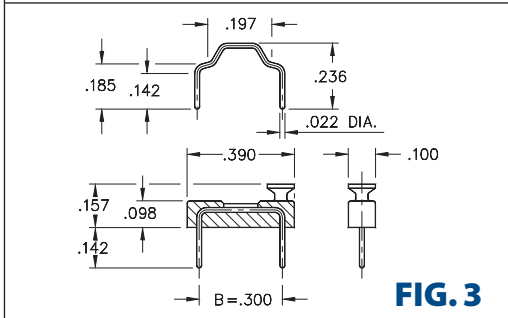
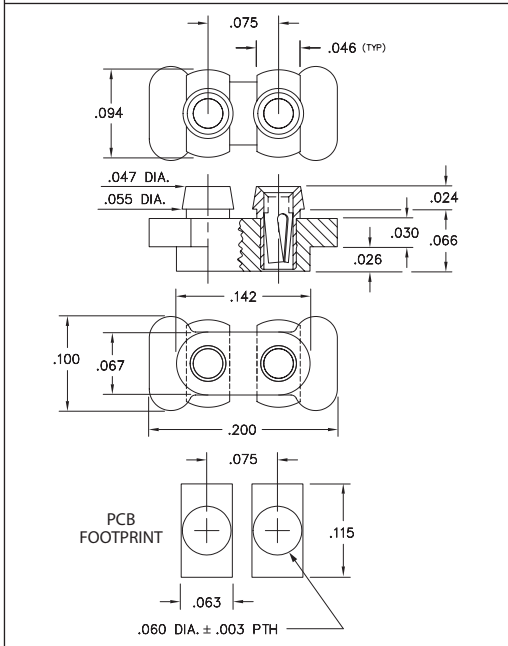
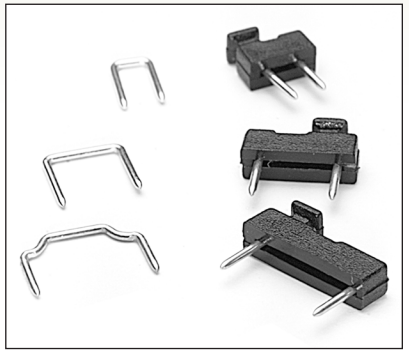


FIG. 3



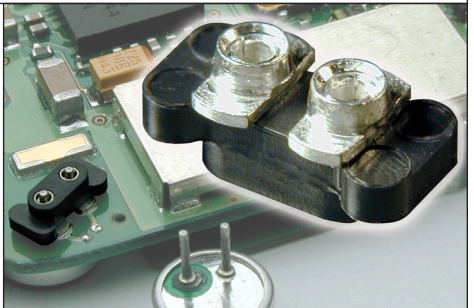
- Male shorting jumpers are available with or without insulator and have .022" diameter pins with .100", .200" or .300" center spacing
- Insulator materials are not high temperature
- For Electrical, Mechanical & Environmental Data, see page 264 for details



ORDERING INFORMATION

FIG. 1	Male Shorting Jumper .100" Spacing	
	Color / Style	Plating 10 μ" Au
	Black	999-11-210-10-000000
	Not Insulated	999-11-110-10-000000
FIG. 2	Male Shorting Jumper .200" Spacing	
	Color / Style	Plating 10 μ" Au
	Black	999-11-220-10-000000
	Not Insulated	999-11-112-10-000000
FIG. 3	Male Shorting Jumper .300" Spacing	
	Color / Style	Plating 10 μ" Au
	Black	999-11-230-10-000000
	Not Insulated	999-11-113-10-000000

- Series 388 microphone socket is a bottom entry socket for microphones having Ø.018" pins on .075" centers
- Designed to be surface mount and intrusive reflow soldered
- Series 388 uses MM #8874 pins. See page 159 for details
- Hi-Rel, 3-finger BeCu #11 contact is rated at 3 amps. See page 251 for details
- Insulator is high temperature Nylon 46, rated UL 94 V-0



Ordering Information Microphone Socket

	388-XX-102-11-740800 (Discrete socket)				
	Plating Code 388-XX-102-11-740799 (Tape and Reel) (Supplied on 12mm wide carrier tape per EIA-481: 6,500 per 13" reel)				
SPECIFY PLATING CODE XX=			99		44
Sleeve (Pin)			200 μ" Sn/Pb		200 μ" Sn
Contact (Clip)			200 μ" Sn/Pb		200 μ" Sn