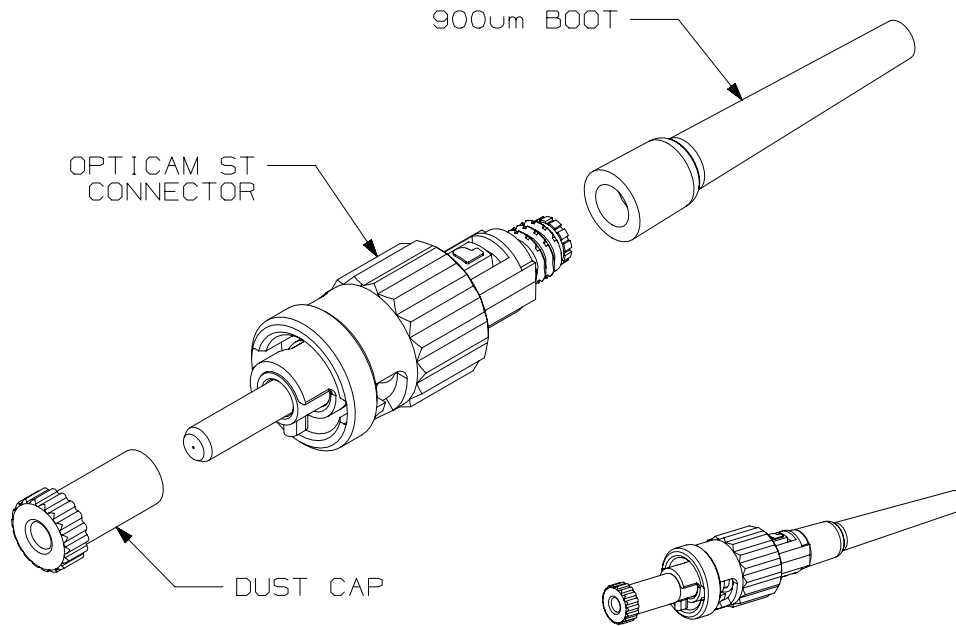
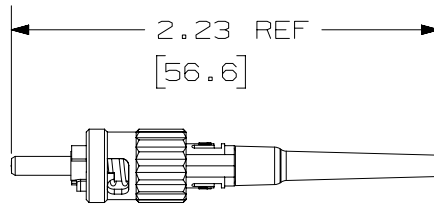


THIS COPY IS PROVIDED ON A RESTRICTED BASIS AND IS NOT TO BE USED IN ANY WAY DETRIMENTAL TO THE INTERESTS OF PANDUIT CORP.



PANDUIT PART NUMBER	FIBER TYPE	FERRULE TYPE
FSTMC5BL	50/125um MULTIMODE	ZIRCONIA
FSTMC6BL	62.5/125um MULTIMODE	ZIRCONIA
FSTMCXAQ	50/125um MULTIMODE	ZIRCONIA
FTSVCBU	9/125um SINGLEMODE	ZIRCONIA
FSTMPC5BL	50/125um MULTIMODE	POLYMER
FSTMPC6BL	62.5/125um MULTIMODE	POLYMER

NOTES:

- SEE CATALOG FOR ADDITIONAL PART NUMBER SUFFIXES TO INDICATE COLOR AND/OR PACKAGE QUANTITY
- ACCEPTS 50/125um, 62.5/125um, 50/125 OM3 MULTIMODE OR 9/125um SINGLEMODE, 900um BUFFERED GLASS OPTICAL FIBER.
- FULLY COMPLIES WITH THE FIBER OPTIC CONNECTOR PERFORMANCE REQUIREMENTS AS SPECIFIED BY TIA/EIA-568-B.3.
- MATERIAL:
 BODY/HARDWARE: PLASTIC
 BOOT: THERMOPLASTIC RUBBER
 FERRULE: ZIRCONIA CERAMIC OR POLYMER
- DIMENSIONS IN [] ARE METRIC [mm].
- 1.6/2.0mm AND 3.0mm BOOT ASSEMBLIES ARE AVAILABLE SEPARATELY.

PART NUMBER		FSTMC5BL, FSTMC6BL, FSTMCXAQ, FTSVCBU, FSTMPC5BL, FSTMPC6BL	
TITLE			
OPTICAM ST CONNECTOR			
CUSTOMER DRAWING			
ITEM REVISION NAME		M01894AJ/01	
DATASET FILE NAME		M01894AJ_DC/01C	
UNLESS OTHERWISE SPECIFIED, DIMENSIONAL TOLERANCES ARE: IN [mm]		MATERIAL:	
.X ±		.XXX ±	
.XX ±		ANGLES ±	
		DRAWING NUMBER:	
		01894-17	
DRAWN BY	DATE	CHK	SCALE
MC	5-25-06	MMW	NONE
SHT 1 OF 1			SIZE
			A

REV	DATE	BY	CHK	APR	DESCRIPTION	ECN
5	6/12/15	JSP	WJM	JGSW	A. REVISED DRAWING TITEL BLOCK.	01894-17

D10100DA/14