

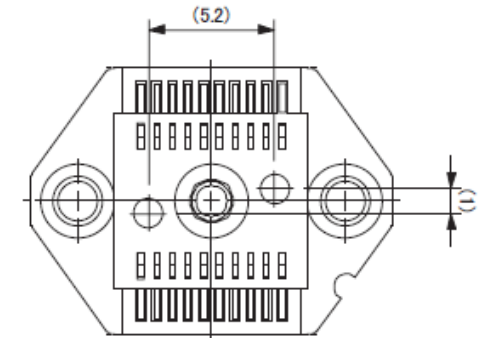
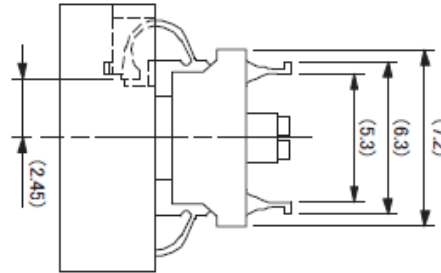
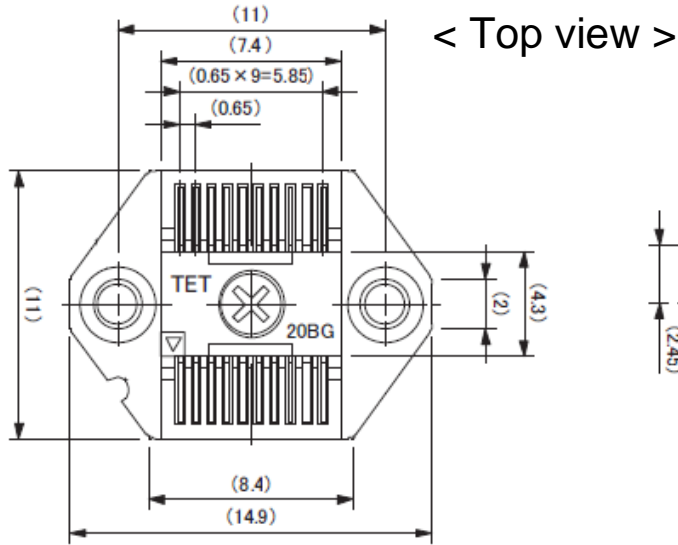
## Drawing of QB-20SP-NQ-03T

R20UT1707XJ0100

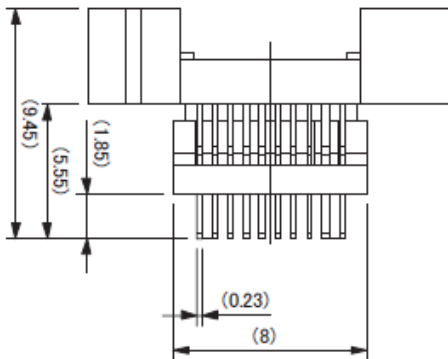
Rev.1.00

2012.04.13

**Unit: mm**



< Bottom view >



## Foot pattern of QB-20SP-NQ-03T

R20UT1707XJ0100

Rev.1.00

2012.04.13

**Unit: mm**

