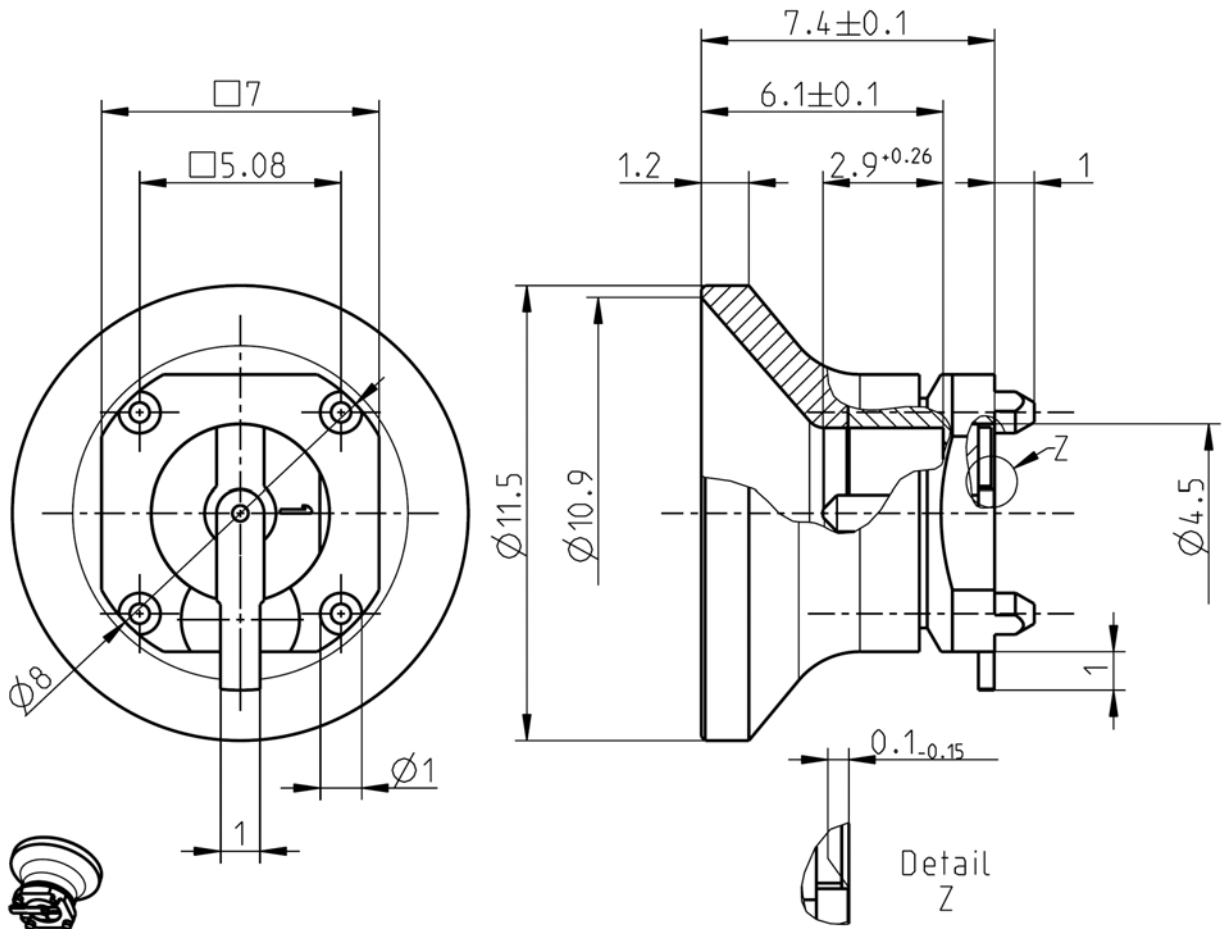


TECHNICAL DATA SHEET

Rosenberger

P-SMP STRAIGHT PLUG FOR PCB SMOOTH BORE

119S14N-40ML5



All dimensions are in mm; tolerances acc. to ISO 2768 m-H

Interface

According to

Rosenberger P-SMP

Documents

Panel piercing

B 120c

Material and plating

Connector parts

Center contact
Outer contact
Outer contact
Dielectric

Material

Brass
Brass
Brass
PEEK

Plating

AuroDur®, gold plated
AuroDur®, gold plated
Nickel, 2.5-5 µm

TECHNICAL DATA SHEET**Rosenberger****P-SMP STRAIGHT PLUG FOR
PCB SMOOTH BORE****119S14N-40ML5****Electrical data**

Impedance	50 Ω
Frequency	DC to 10 GHz
Return loss	≥ 30 dB, DC to 4 GHz ≥ 25 dB, 4 to 6 GHz
Insertion loss	≤ 0.03 x √f(GHz) dB
Insulation resistance	≥ 5 GΩ
Center contact resistance	≤ 3.0 mΩ
Outer contact resistance	≤ 2.0 mΩ
Test voltage (at sea level)	1000 V rms
Working voltage (at sea level)	480 V rms
Power handling (at 20 °C, sea level)	≤ 200 W @ 2.2 GHz
Intermodulation (3 rd order)	≥ 160 dBc (2 x 43 dBm)

- Connector only, VSWR in application depends decisive on PCB layout

Mechanical data

Mating cycles	≥ 1000
Center contact captivation	≥ 7 N
Engagement force	10 N max.
Disengagement force	2.2 N min.

Environmental data

Temperature range	-65°C to +165°C
Rapid change of temperature	IEC 60169-1, Sub-clause 16.4 (-65°C to +165°C)
Vibration	IEC 60068-2-64 random
Shock	IEC 60068-2-27 (half-sine)
High temperature endurance	IEC 60169-1, Sub-clause 18 (+165°C, 1000 hours)
Max. soldering temperature	IEC 61760-1, +260°C for 10 sec.
RoHS	compliant

Tooling

N/A

Suitable cables

N/A

Weight

Weight 1,85 g/pce

While the information has been carefully compiled to the best of our knowledge, nothing is intended as representation or warranty on our part and no statement herein shall be construed as recommendation to infringe existing patents. In the effort to improve our products, we reserve the right to make changes judged to be necessary.

Draft	Date	Approved	Date	Rev.	Engineering change number	Name	Date
Huppenberger	13/05/14	B_Huppenberger	15.09.14	a00	14-s318	C_Vitzthum	15.09.14
Rosenberger Hochfrequenztechnik GmbH & Co. KG P.O.Box 1260 D-84526 Tittmoning Germany www.rosenberger.de					Tel.: +49 8684 18-0 email: info@rosenberger.de		Page 2 / 2