

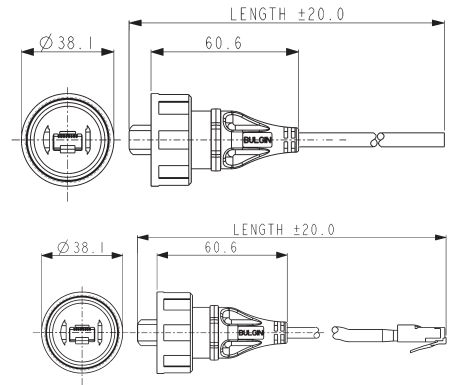
- ⊕ IP68 rated
- ⊕ IP69K, Tested in accordance with DIN 40050/Part 9 IP6k9k
- ⊕ Cat 5e or Cat 6a compliant
- ⊕ PUR / PVC jacket on cable
- ⊕ Shielded system
- ⊕ Cat 5e or Cat 6a shielded coupler
- ⊕ Shroud on RJ45
- ⊕ Screw coupling
- ⊕ Rewireable flex connector
- ⊕ PCB mounted panel connector
- ⊕ IDC termination panel connector
- ⊕ Earth lead version of panel adaptor
- ⊕ EN60068-2-52 Test Kb Salt Mist (Cyclic)  
Marine Severity Level 1
- ⊕ Dust and waterproof sealing when mated
- ⊕ Data rate up to 100MHz
- ⊕ Good chemical resistance, flame retardant
- ⊕ High noise immunity and EMI protection
- ⊕ Maintains shielding
- ⊕ Protection from abuse and mis-mating
- ⊕ Secure, proven locking system
- ⊕ Ability to 'field' terminate
- ⊕ Direct PCB mount panel connector
- ⊕ Simple termination
- ⊕ Continuous screening of panel mount connector

Patch Cord Flex Connector - PUR Jacket

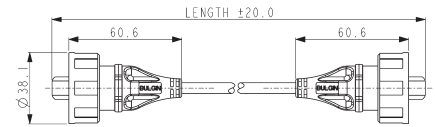


PX0836

- Mates with all panel mounting connectors
- Patchcords with IP68 connector
- Supplied with shielded RJ45 plug
- Single or double end terminated
- Standard lengths: 2m, 3m & 5m
- S-FTP cable construction
- PUR / PVC jacket cable
- Wiring configuration to 568-B



| Part no.    | Type         | Length | Description                                       |
|-------------|--------------|--------|---|
| PX0836/2M00 | Wire end     | 2m     | Cat 5e IP68 RJ45 Buccaneer to bare end            |
| PX0836/3M00 | Wire end     | 3m     | Cat 5e IP68 RJ45 Buccaneer to bare end            |
| PX0836/5M00 | Wire end     | 5m     | Cat 5e IP68 RJ45 Buccaneer to bare end            |
| PX0837/2M00 | Single ended | 2m     | Cat 5e IP68 RJ45 Buccaneer to Shielded RJ45       |
| PX0837/3M00 | Single ended | 3m     | Cat 5e IP68 RJ45 Buccaneer to Shielded RJ45       |
| PX0837/5M00 | Single ended | 5m     | Cat 5e IP68 RJ45 Buccaneer to Shielded RJ45       |
| PX0838/2M00 | Double ended | 2m     | Cat 5e IP68 RJ45 Buccaneer to IP68 RJ45 Buccaneer |
| PX0838/3M00 | Double ended | 3m     | Cat 5e IP68 RJ45 Buccaneer to IP68 RJ45 Buccaneer |
| PX0838/5M00 | Double ended | 5m     | Cat 5e IP68 RJ45 Buccaneer to IP68 RJ45 Buccaneer |
| PX0896/2M00 | Wire end     | 2m     | Cat 6a IP68 RJ45 Buccaneer to bare end            |
| PX0896/3M00 | Wire end     | 3m     | Cat 6a IP68 RJ45 Buccaneer to bare end            |
| PX0896/5M00 | Wire end     | 5m     | Cat 6a IP68 RJ45 Buccaneer to bare end            |
| PX0897/2M00 | Single ended | 2m     | Cat 6a IP68 RJ45 Buccaneer to Shielded RJ45       |
| PX0897/3M00 | Single ended | 3m     | Cat 6a IP68 RJ45 Buccaneer to Shielded RJ45       |
| PX0897/5M00 | Single ended | 5m     | Cat 6a IP68 RJ45 Buccaneer to Shielded RJ45       |
| PX0898/2M00 | Double ended | 2m     | Cat 6a IP68 RJ45 Buccaneer to IP68 RJ45 Buccaneer |
| PX0898/3M00 | Double ended | 3m     | Cat 6a IP68 RJ45 Buccaneer to IP68 RJ45 Buccaneer |
| PX0898/5M00 | Double ended | 5m     | Cat 6a IP68 RJ45 Buccaneer to IP68 RJ45 Buccaneer |

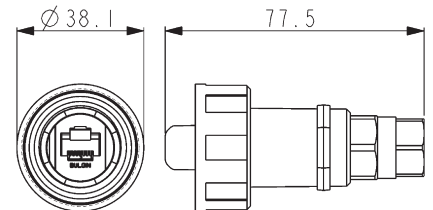


Re wireable Flex Connector



PX0834

- Mates with all panel mounting connectors
- Supplied with shielded RJ45 plug
- Two versions:  
PUR / PVC jacket cable (Cat 5e / 6a)  
for other cable sizes from  
3.5 to 8mm dia.



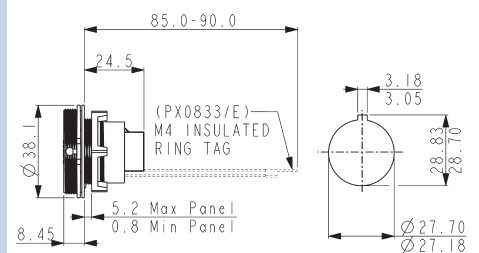
| Part no. | Description   |
|----------|---|
| PX0834/A | Cat 5e Cable glands optimised for PUR jacket cable to maintain Cat 5e performance |
| PX0834/B | Cat 5e Suitable for use with cables from 3.5 to 8mm diameter                      |
| PX0894/A | Cat 6a Cable glands optimised for PVC jacket cable to maintain Cat 6a performance |
| PX0894/B | Cat 6a Suitable for use with cables from 3.5 to 8mm diameter                      |

Panel Mounting Connector



PX0833

- Cat 5e mates with PX0836, PX0837, PX0838 & PX0834 flex connectors
- Cat 6a mates with PX0896, PX0897, PX0898 & PX0894 flex connectors
- Standard RJ45 patchcord can be plugged into rear
- Version with earth wire available
- Single hole fixing
- Complete with panel sealing gasket



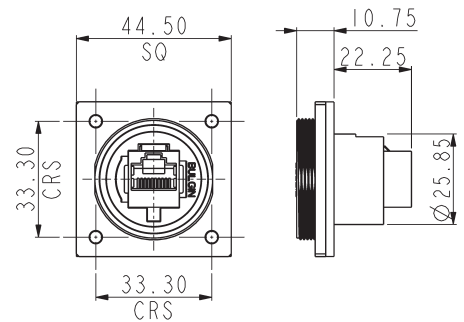
| Part no. | Description                 | Fixing              |
|----------|-----------------------------|---------------------|
| PX0833   | Cat 5e coupler              | Front panel mounted |
| PX0833/E | Cat 5e coupler + earth wire | Front panel mounted |
| PX0893   | Cat 6a coupler              | Front panel mounted |
| PX0893/E | Cat 6a coupler + earth wire | Front panel mounted |

Flanged Mounting Connector



PX0870

- Cat 5e mates with PX0836, PX0837, PX0838 & PX0834 flex connectors
- Cat 6a mates with PX0896, PX0897, PX0898 & PX0894 flex connectors
- Standard RJ45 patchcord can be plugged into rear
- Version with earth wire available
- Flange fixing
- Complete with panel sealing gasket



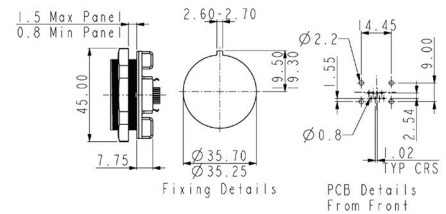
| Part no. | Description                 | Fixing          |
|----------|-----------------------------|-----------------|
| PX0870   | Cat 5e coupler              | Flange mounting |
| PX0870/E | Cat 5e coupler + earth wire | Flange mounting |
| PX0890   | Cat 6a coupler              | Flange mounting |
| PX0890/E | Cat 6a coupler + earth wire | Flange mounting |

PCB Mounting Connector



PX0839/PC

- Cat 5e shielded RJ45 interface
- Rear of panel mounted
- Mates with PX0836, PX0837, PX0838 and PX0834 flex connectors
- For direct vertical mounting to PCB, straight pins
- Complete with panel sealing PX0839/PC gasket



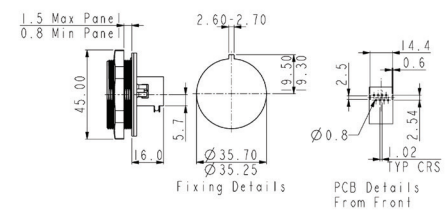
| Part no.  | Description           | Fixing             |
|-----------|-----------------------|--------------------|
| PX0839/PC | Cat 5e connector - PC | Rear panel mounted |

PCB Mounting Connector

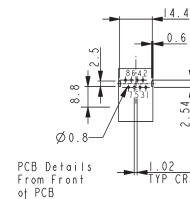


PX0839/90

- Cat 5e shielded RJ45 interface
- Rear of panel mounted
- Mates with PX0836, PX0837, PX0838 and PX0834 flex connectors
- For direct horizontal mounting to PCB, 90° pins
- Complete with panel sealing PX0839/90 gasket



| Part no.  | Description           | Fixing             |
|-----------|-----------------------|--------------------|
| PX0839/90 | Cat 5e connector - PC | Rear panel mounted |

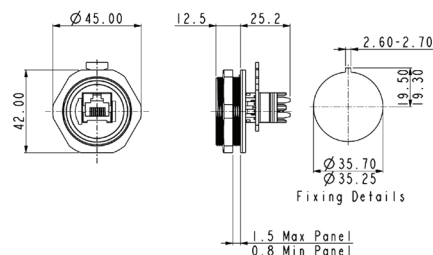


Panel Mounting Connector



PX0839/IDC

- Cat 5e shielded RJ45 interface
- Rear of panel mounted
- Mates with PX0836, PX0837, PX0838 and PX0834 flex connectors
- Two IDC blocks for discrete termination
- Complete with panel sealing



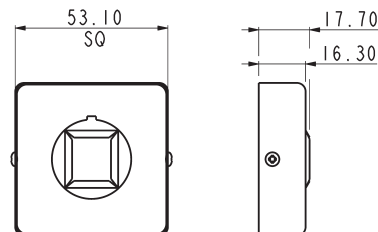
| Part no.   | Description    | Fixing             |
|------------|----------------|--------------------|
| PX0839/IDC | Cat 5e coupler | Rear panel mounted |

Shield Back Shell Accessory



PX0888

- Maintains RJ45 coupler screening directly to panel
- Shielding can is fixed to rear of panel mount connector
- For use on PX0833



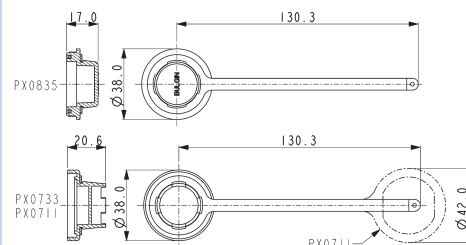
| Part no. | Description                   |
|----------|-------------------------------|
| PX0888   | Shielding backshell accessory |

Accessories



Sealing Caps

- Sealing caps to maintain IP68 rating when connectors are not in use
- Replacement shielded RJ45s
- Hand crimp tool for shielded RJ45
- Patch cord cable available in 50m reels



| Part no. | Description   |
|----------|---|
| PX0835   | Sealing Cap for flex connectors (PX0834, PX0836-838, PX0894, PX0896-898)  |
| PX0733   | Sealing Cap for panel mounting connector (PX0833, PX0870, PX0893, PX0890) |
| PX0711   | Sealing Cap for rear panel mounting connector (PX0839)                    |
| 14151    | Cat 5e & Cat 6a Hand crimp tooling + die set                              |
| 14199    | Cat 5e PUR Jacket Cable - 50m reel  |
| 14150    | Cat 5e Replacement shielded RJ45  |
| 15241    | Cat 6a PVC Jacket Cable - 50m reel  |

## Connectors

|                         |   |
|-------------------------|---|
| Sealing                 | IP69K, Tested in accordance with DIN 40050/Part 9 IP6k9k                |
| Operating Temperature   | IP68, EN60529:1992+A2:2013<br>(10m depth for 2 weeks)<br>-20°C to +70°C |
| Materials - Overmoulded |   |
| Overmould material      | PVC (black)   |
| Flammability rating     | UL94V-0   |
| Salt Mist               | EN60068-2-52 Test Kb Salt Mist<br>(Cyclic) Marine Severity Level 1      |

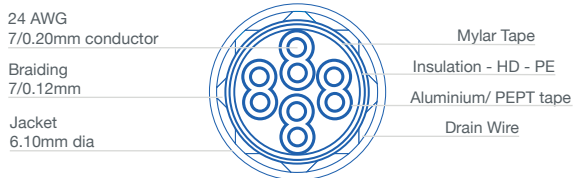
## Materials - Re-wireable and Panel Connectors

|                               |           |
|-------------------------------|-----------|
| Connector body & locking ring | Polyester |
| Panel connector               | Nylon 6   |
| Flammability rating           | UL94V-0   |
| 'O' rings                     | Silicone  |
| Panel Gasket - round          | Silicone  |
| Panel Gasket - flange         | Neoprene  |
| RoHS                          | Compliant |

## Cables

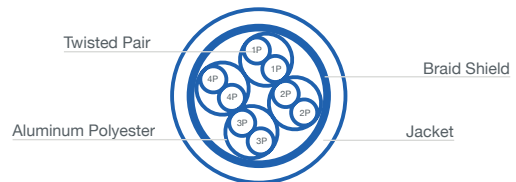
|   | Cat 5e                            | Cat 6a                       |
|---|-----------------------------------|------------------------------|
| Conductors  | 24AWG (7/0.2mm) bare copper       | 26AWG (7/0.16mm) bare copper |
| Insulation  | HD-PE                             | PE (Skin - Foam - Skin)      |
| Pair  | 2 of the above cores twisted      | 2 of the above cores twisted |
| Core  | 4 of the above cores              | 4 of the above cores         |
| Screen  | 1 layer mylar and aluminium tape, | Aluminium & Polyester        |
| Braid   | 0.12mm tinned copper braid        | Tinned Copper Braid          |
| Sheath  | PUR Jacket Black                  | PVC Jacket Black             |
| Op Temperature  | -25°C to +85°C                    | -25°C to +75°C               |
| Diameter  | 6.1mm nominal                     | 6.0 mm nominal               |
| Flame Test  |                                   | FT4                          |
| Electrical @ 20°C   |                                   |                              |
| Characteristic:   |                                   |                              |
| Impedance   | 100 Ω ±15 Ω @ 100MHz              |                              |
| Capacitance   | 330pF/km                          |                              |
| Conductor Loop  |                                   |                              |
| Resistance  | 29/Ω100m maximum                  | 26Ω /km                      |
| Skew  | 45 nsec/100m @ 100MHz             |                              |
| TIA/EIA Rating  | Cat 5e                            | Cat 6A                       |
| Mechanical Characteristics                                |                                   |                              |
| Minimum Tensile Strength of Jacket (kgf/mm <sup>2</sup> ) |                                   | 1.05                         |
| Maximum Length for Strip of Jacket (mm)                   |                                   | 40                           |

## Cable construction - PX0836, PX0837, PX0838 and 14199



Polyurethane (PUR) Jacket

## Cable construction - PX0896, PX0897, PX0898 and 15241



Polyvinyl Chloride (PVC) Jacket

| RJ45 Plug             | Cat 5e & POE                     | Cat 6a                           |
|-----------------------|----------------------------------|----------------------------------|
| <b>Materials</b>      |                                  |                                  |
| Moulding              | Polycarbonate                    | Polycarbonate                    |
| Flammability          | UL94V-0                          | UL94V-0                          |
| Contact material      | Phosphor Bronze                  | Phosphor Bronze                  |
| Contact plating       | 50 micron gold                   | 50 micron gold                   |
| Operating Temperature | -40°C to +70°C                   | -40°C to +70°C                   |
| Mating cycles         | 1,000 cycles                     | 1,000 cycles                     |
| <b>RoHS</b>           | Compliant                        | Compliant                        |
| <b>Electrical</b>     |                                  |                                  |
| No. Conductors        | 8                                | 8                                |
| Conductor types       | 24-28AWG, solid or multistranded | 24-28AWG, solid or multistranded |
| Current rating        | 350mA                            | 1.5 A                            |
| Voltage rating        | 37V ac, 57V dc                   | 30V ac, 42V dc                   |
| Contact resistance    | 10mΩ max.                        | 10mΩ max.                        |
| Performance           | Cat 5e & POE                     | Cat 6a                           |

| RJ45 Coupler          | Cat 5e          | Cat 6a          |
|-----------------------|-----------------|-----------------|
| <b>Materials</b>      |                 |                 |
| Coupler Shell         | Copper Alloy    | Copper Alloy    |
| Coupler Plating       | Nickel          | Nickel          |
| Moulding              | ABS             | ABS             |
| Flammability          | UL94V-0         | UL94V-0         |
| Contact material      | Phosphor Bronze | Phosphor Bronze |
| Contact plating       | 50 micron gold  | 50 micron gold  |
| Operating Temperature | -40°C to +70°C  | 0°C to +70°C    |
| Mating cycles         | 1,000 cycles    | 1,000 cycles    |
| <b>RoHS</b>           | Compliant       | Compliant       |
| <b>Electrical</b>     |                 |                 |
| No. Conductors        | 8               | 8               |
| Current rating        | 1.5A            | 1.5A            |
| Voltage rating        | 30V ac, 42V dc  | 30V ac, 42V dc  |
| Contact resistance    | 10mV max.       | 10mV max.       |
| Performance           | Cat 5e          | Cat 6a          |

#### RJ45 PCB Connector

|                       |                 |
|-----------------------|-----------------|
| <b>Materials</b>      |                 |
| Coupler Shell         | Copper Alloy    |
| Coupler Plating       | Nickel          |
| Moulding              | ABS             |
| Flammability          | UL94V-0         |
| Contact material      | Phosphor Bronze |
| Contact plating       | 50 micron gold  |
| PC Pins               | Tin plated      |
| Operating Temperature | -40°C to +70°C  |
| Mating cycles         | 1,000 cycles    |
| <b>RoHS</b>           | Compliant       |
| <b>Electrical</b>     |                 |
| No. Conductors        | 8               |
| Current rating        | 1.5A            |
| Voltage rating        | 30V ac, 42V dc  |
| Contact resistance    | 10mΩ max.       |
| Performance           | Cat 5e          |