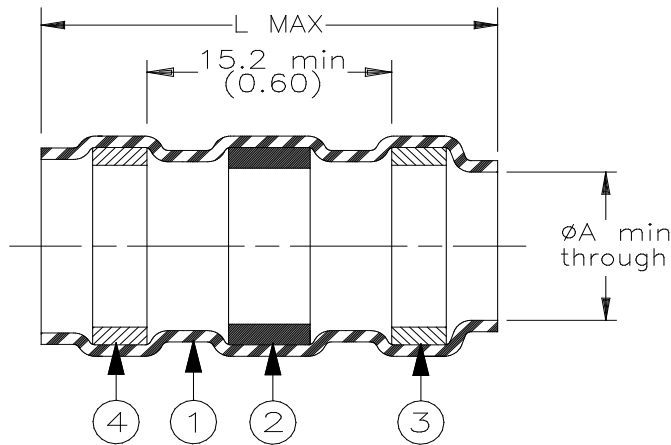


CUSTOMER DRAWING



Product Revisions		Product Dimensions		Cable Dimensions		
Product Name		L max	A min	B max	C min	D min
CWT-3801	D	26 (1.025)	1.7 (0.065)	1.7 (0.065)	0.9 (0.035)	0.4 (0.015)
CWT-3802	C	26 (1.025)	1.95 (0.075)	1.95 (0.075)	1.1 (0.045)	0.6 (0.025)
CWT-3803	B	42.0 (1.655)	2.7 (0.105)	2.7 (0.105)	1.8 (0.070)	1.3 (0.050)
CWT-3805	A	42.0 (1.655)	4.5 (0.180)	4.5 (0.180)	2.3 (0.090)	1.8 (0.070)
CWT-3806	B	42.0 (1.655)	6.0 (0.235)	6.0 (0.235)	3.3 (0.130)	2.8 (0.110)
CWT-3807	A	42.0 (1.655)	7.0 (0.275)	7.0 (0.275)	3.7 (0.145)	3.2 (0.125)
CWT-3809	C	42.0 (1.655)	8.7 (0.340)	8.7 (0.340)	4.2 (0.165)	3.7 (0.145)
CWT-3810	A	42.0 (1.655)	9.7 (0.382)	9.7 (0.382)	6.8 (0.268)	6.0 (0.236)
CWT-3811	C	42.0 (1.655)	10.7 (0.420)	10.7 (0.420)	7.1 (0.280)	6.6 (0.260)
CWT-3813	B	42.0 (1.655)	13.0 (0.510)	13.0 (0.510)	8.9 (0.350)	8.4 (0.330)

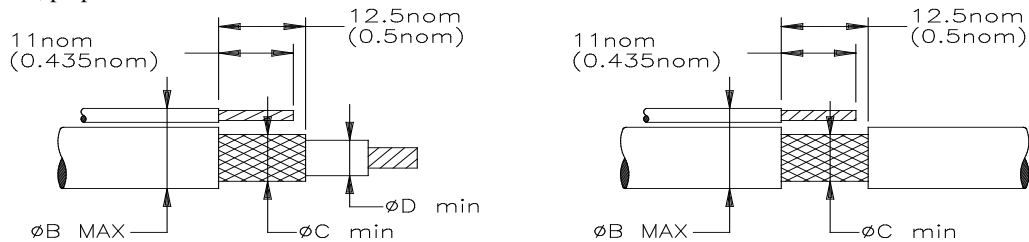
MATERIAL

1. INSULATION SLEEVE: Heat-shrinkable, radiation cross-linked modified polyolefin. Transparent clear.
2. SOLDER PREFORM WITH FLUX:
SOLDER: TYPE CD18 per ANSI J-STD-006.
FLUX: TYPE ROM1 per ANSI J-STD-004.
3. MELTABLE RING: Thermally stabilized thermoplastic. Color: True Grey of Natural.
4. MELTABLE RING: Thermally stabilized thermoplastic. Color: Blue.

APPLICATION

1. These controlled soldering devices are designed for termination of a bare or tin plated copper shield on a cable, having an insulation rated for at least +85°C minimum.
2. Temperature range: -55°C to +125°C.
3. For installation procedure and application equipment consult RPIP-824-00 or H54286.

For best results, prepare the cable as shown:



		Raychem Devices	TITLE : SOLDERSLEEVE ONE STEP SHIELD TERMINATOR				
UNLESS OTHERWISE SPECIFIED DIMENSIONS ARE IN MILLIMETERS. INCHES DIMENSIONS ARE BETWEEN BRACKETS.				DOCUMENT NO.: CWT-38XX			
TOLERANCES: 0.00 N/A 0.0 N/A 0 N/A	ANGLES: N/A ROUGHNESS IN MICRON	TE Connectivity reserves the right to amend this drawing at any time. Users should evaluate the suitability of the product for their application.		DATE: 15-Nov-2017	DOC ISSUE: L		
DRAWN BY: M. FORONDA	CAGE CODE: 06090	REPLACES: D000675	ECO No: ECO-17-016860	PROD. REV.: SEE TABLE	SCALE: None	SIZE: A	SHEET: 1 of 1