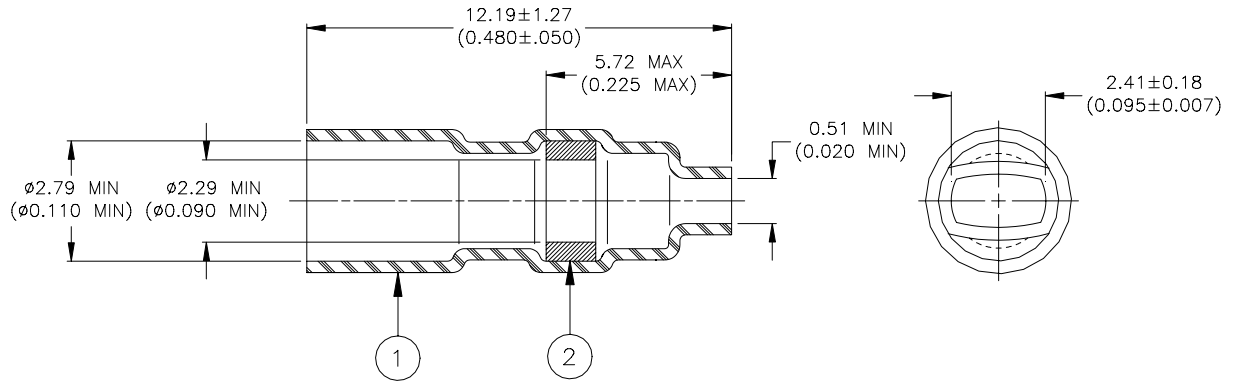


## SPECIFICATION CONTROL DRAWING



### MATERIALS

1. INSULATION SLEEVE: Heat shrinkable, transparent blue, radiation cross-linked polyvinylidene fluoride.
2. SOLDER PREFORM WITH FLUX:  
 SOLDER: TYPE Sn63 per ANSI J-STD-006.  
 FLUX: TYPE ROL1 per ANSI J-STD-004.

### APPLICATION

1. This part will terminate up to three 22 AWG tin or silver plated wires.
2. Sleeve will recover to 1.30 (0.051) max. I.D.
3. Temperature rating: 150°C.
4. This drawing forms part of Raychem Specification Control Drawing D-714-00.

<b>tyco</b> Electronics		<b>Raychem</b>		Tyco Electronics Corporation 300 Constitutional Drive Menlo Park, CA 94025 USA		<b>TITLE :</b> <b>SOLDERSLEEVE, PCB CONNECTOR,</b> <b>2.16x0.51x6.35 (0.085x0.020x0.250) TERMINAL</b>			
Unless otherwise specified dimensions are in millimeters. Inches dimensions are in between brackets.						DOCUMENT NO.: <b>D-129-03</b>			
TOLERANCES: 0.00 N/A 0.0 N/A 0 N/A		ANGLES: N/A ROUGHNESS IN MICRON		Tyco Electronics reserves the right to amend this drawing at any time. Users should evaluate the suitability of the product for their application.		DOC ISSUE: 1		DATE: 08-Feb.-01	
DRAWN BY: M. FORONDA		CAGE CODE: 06090		REPLACES: N/A		DCR NUMBER: D010033		PROD. REV.: G	
						SCALE: None		SIZE: A	
								SHEET: 1 of 1	

If this document is printed it becomes uncontrolled. Check for the latest revision.