

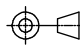

CODE 32 - TINEL-LOCK BACKSHELL

TXR32AB00-1608AI-

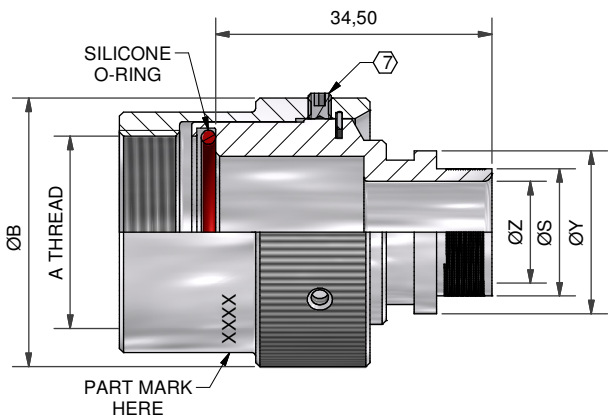
SERIES _____
 TXR: RING INCLUDED
 (SEE RING OPTION)
 TX: RING NOT INCLUDED
 CONNECTOR INTERFACE _____
 MATERIAL _____
 REFER TO CH00-0250-008
 FINISH _____
 REFER TO CH00-0250-008
 ANGLE _____
 SHELL SIZE (TABLE 1) _____
 ENTRY SIZE (TABLE 2) _____
 RING OPTION _____
 AI - TO SUIT SINGLE BRAID
 BI - TO SUIT DOUBLE BRAID
 FOR TX, LEAVE BLANK
 MODIFICATION CODE _____
 REFER TO CH00-0250-008 (2)

NOTES:

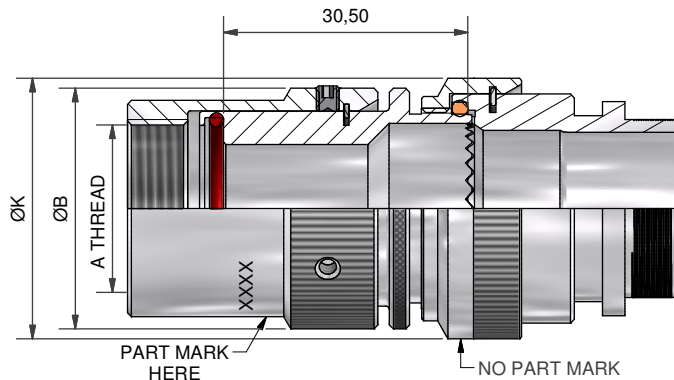
1. THIS PRODUCT IS DESIGNED TO TERMINATE A BRAIDED CABLE SHIELD AND A HEAT SHRINKABLE LIPPED BOOT TO A CONNECTOR.
- (2) FOR ADDITIONAL DIMENSIONS, ORDERING INFORMATION AND MODIFICATIONS, SEE CH00-0250-008.
- (3) SEE DRAWING TR FOR DETAIL ON TINEL-LOCK RING, RINGS ARE DESIGNED TO BE HEATED ELECTRICALLY, ALL RINGS ARE MARKED WITH THERMOCHROMIC PAINT WHICH CHANGES COLOUR WHEN INSTALLATION TEMPERATURE IS REACHED.
4. BACKSHELL TO BE PERMANENTLY MARKED/BAGGED AND LABELLED WITH CODE IDENTIFICATION NUMBER AND PART NUMBER LESS RING DESIGNATOR. (e.g. 06090-TXR32AB00-1406). RING SHALL BEAR NO MARKING.
- (5) FOR LARGER ENTRY SIZES, A 2 PIECE BACKSHELL ASSEMBLY (TYPE 2) IS SUPPLIED.
6. BACKSHELL MATES TO MIL-DTL-22992, CLASS C & R, MS17343, 44, 45 & 47 CONNECTORS.
- (7) ANTI-ROTATIONAL SET SCREW, 3 THREADED HOLES $120^\circ \pm 5^\circ$ APART, SINGLE MATING SET SCREW SUPPLIED.

DRAWN	K.WINCZURA	DATE	15/12/2014	 3RD ANGLE PROJECTION NOT TO SCALE UNLESS OTHERWISE SPECIFIED ALL DIMENSIONS IN MILLIMETRES GENERAL TOL LINEAR +/-0.25MM ANGULAR +/- 1°	TITLE:	 TINEL-LOCK BACKSHELL		
CHECKED		DATE	15/12/2014		ASSY USED ON:			
APPROVED	K.SHEPPARD	DATE	01/09/2015			MIL-DTL-22992		
APPROVED	H.SMITH	DATE	06/10/2015					
REVISIONS								
LTR	DESCRIPTION	DATE	APPROVED					
E	REVISED PER ECO-14-008400	06.04.14	I.M					
F	REVISED PER ECO-15-014373	01.09.15	H.SMITH					
TE CAGE CODE: 06090 POLAMCO/TE CAGE CODE: U5792					TE CONNECTIVITY - POLAMCO LTD RESERVES THE RIGHT TO AMEND THIS DRAWING AND THE INFORMATION SET FORTH HEREON AT ANY TIME. USERS SHOULD INDEPENDENTLY EVALUATE THE SUITABILITY OF THE PRODUCT FOR THEIR APPLICATION.	DRAWING NO: TXR32	DRAWING REV: F	SHT 1

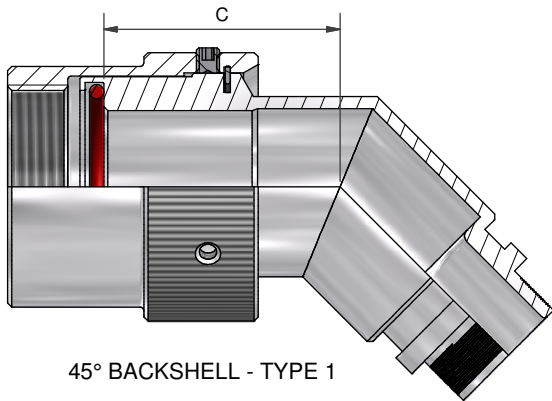
IF MAX ENTRY IS EXCEEDED BACKSHELL
WILL BE SUPPLIED AS TYPE 2



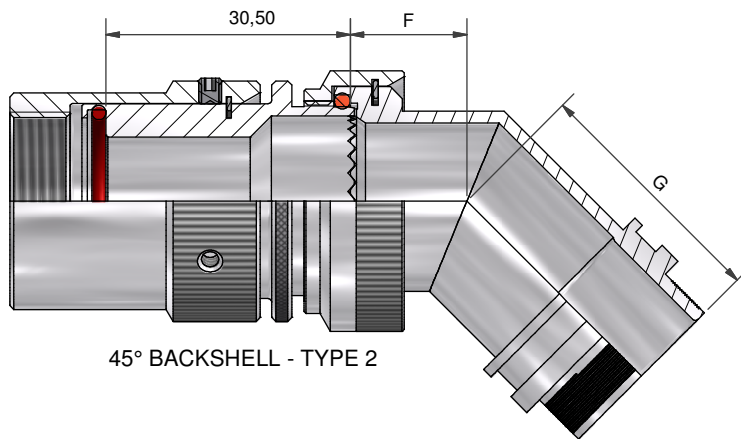
STRAIGHT BACKSHELL - TYPE 1



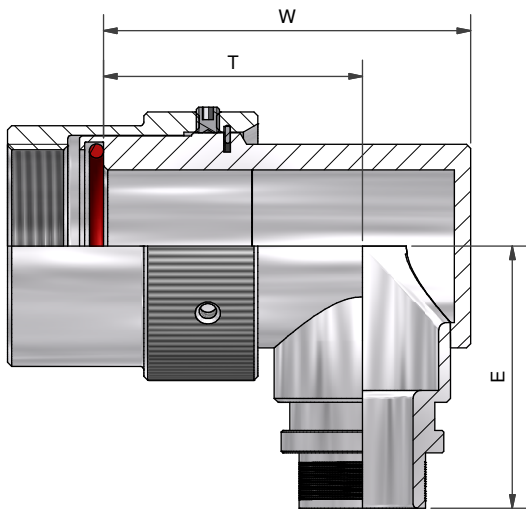
STRAIGHT BACKSHELL - TYPE 2



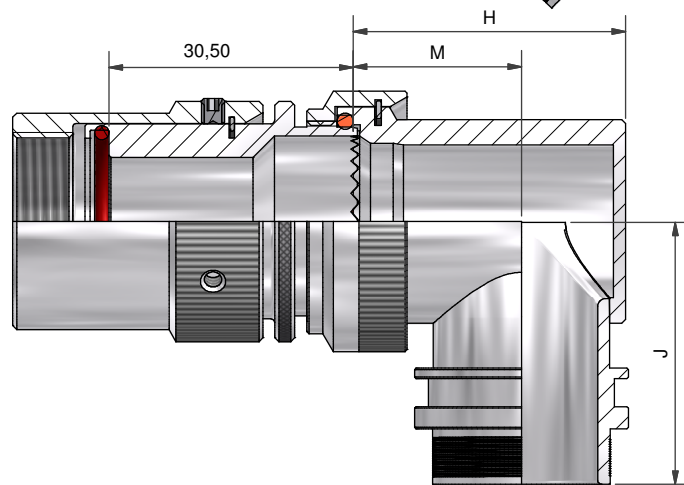
45° BACKSHELL - TYPE 1



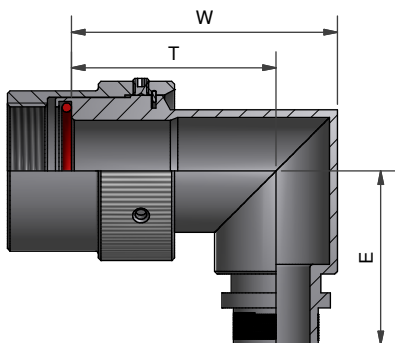
45° BACKSHELL - TYPE 2



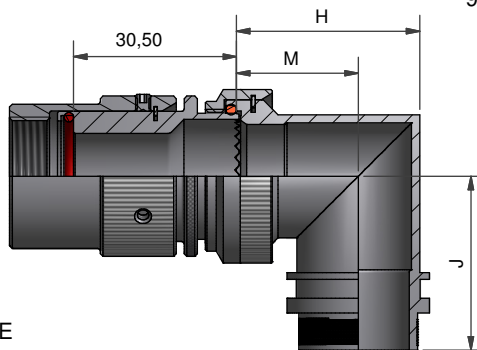
90° BACKSHELL - TYPE 1



90° BACKSHELL - TYPE 2



90° BACKSHELL - TYPE 1
STAINLESS STEEL AND
NICKEL ALUMINIUM BRONZE



90° BACKSHELL - TYPE 2
STAINLESS STEEL AND
NICKEL ALUMINIUM BRONZE

DRAWN	K.WINCZURA	DATE	15/12/2014
CHECKED		DATE	15/12/2014
APPROVED	K.SHEPPARD	DATE	01/09/2015
APPROVED	H.SMITH	DATE	06/10/2015
REVISIONS			
LTR	DESCRIPTION	DATE	APPROVED
E	REVISED PER ECO-14-008400	06.04.14	I.M
F	REVISED PER ECO-15-014373	01.09.15	H.SMITH

3RD ANGLE
PROJECTION
NOT TO
SCALE

UNLESS OTHERWISE SPECIFIED
ALL DIMENSIONS IN MILLIMETRES
GENERAL TOL
LINEAR +/-0.25MM
ANGULAR +/- 1°

TITLE:
TINEL-LOCK BACKSHELL

ASSY USED ON:
MIL-DTL-22992



TE CAGE CODE: 06090
POLAMCO/TE CAGE CODE: U5792

TE CONNECTIVITY - POLAMCO LTD RESERVES THE RIGHT TO AMEND THIS DRAWING AND THE INFORMATION SET FORTH HEREON AT ANY TIME. USERS SHOULD INDEPENDENTLY EVALUATE THE SUITABILITY OF THE PRODUCT FOR THEIR APPLICATION.

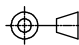
DRAWING NO:
TXR32

DRAWING REV:
F

SHT
2

SHELL SIZE	A LH THREAD	ØB MAX	MAX ENTRY	C MAX	D MAX	W ±0,5	T ±0,5	E ±0,5	THESE DIMENSIONS APPLY IF BACKSHELL IS STAINLESS STEEL OR NICKEL ALUMINIUM BRONZE		
									W MAX	T ±0,5	E ±0,5
12	3/4-20UNEF	27,2	08	29,0	28,5	41,0	30,0	29,5	41,0	30,0	29,7
14	7/8-20UNEF	30,2	10	29,7	29,5	44,0	31,5	31,0	44,0	31,5	31,2
16	1-20UNEF	33,5	12	30,0	30,2	45,8	32,3	32,7	45,8	32,3	32,9
18	1 1/8-18UNEF	36,6	14	30,7	31,0	51,5	36,0	34,3	51,5	36,0	34,5
20	1 1/4-18UNEF	39,9	16	31,2	31,4	54,7	37,2	35,8	54,7	37,2	36,1
22	1 3/8-18UNEF	42,9	18	32,0	31,6	56,9	38,5	37,4	56,9	38,5	37,6
24	1 5/8-18UNEF	52,6	22	33,5	32,6	67,0	43,9	41,9	64,2	42,8	41,9
28	1 7/8-16UN	58,9	24	34,8	33,0	71,3	46,3	45,3	70,8	46,0	45,3
32	2 1/16-16UNS	65,3	24	36,3	32,5	81,5	52,0	48,4	81,5	52,0	48,4
36	2 5/16-16UNS	71,6	24	37,6	33,8	84,8	52,8	51,4	84,0	52,8	51,4
40	2 5/8-18UN	78,0	24	38,9	35,3	90,0	55,6	54,6	90,0	55,6	54,6
44	2 7/8-16UNS	83,0	28	40,5	37,0	93,0	57,0	57,7	93,0	57,0	57,7

ENTRY SIZE	ØZ MIN	ØS	ØY ± 0,3	ØK MAX	F ±0,5	G ±0,5	H ±0,5	M ±0,5	J ±0,5	THESE DIMENSIONS APPLY IF BACKSHELL IS STAINLESS STEEL OR NICKEL ALUMINIUM BRONZE		
										H ±0,5	M ±0,5	J ±0,5
04	6,35	9,49 +/-0,04	14,0	NA	NA	NA	NA	NA	NA	NA	NA	NA
05	7,92	11,06 +/-0,04	15,5	NA	NA	NA	NA	NA	NA	NA	NA	NA
06	9,53	12,66 +/-0,04	17,1	NA	NA	NA	NA	NA	NA	NA	NA	NA
07	11,10	14,21 +/-0,07	18,7	NA	NA	NA	NA	NA	NA	NA	NA	NA
08	12,70	15,81 +/-0,07	20,3	NA	NA	NA	NA	NA	NA	NA	NA	NA
10	15,88	18,96 +/-0,08	23,5	29,0	13,5	29,0	31,0	19,5	31,0	31,1	21,0	31,2
12	19,05	22,14 +/-0,08	26,7	32,5	14,5	29,7	34,0	21,0	32,7	34,2	22,8	32,9
14	22,23	25,30 +/-0,08	29,8	35,5	15,5	30,5	35,0	20,0	34,3	38,5	25,3	34,5
16	25,40	28,48 +/-0,08	33,0	37,0	16,1	30,9	38,0	21,5	35,8	40,7	26,1	36,1
18	28,58	31,65 +/-0,08	36,2	40,0	16,5	31,1	42,0	24,0	37,4	43,7	27,6	37,6
20	31,75	34,83 +/-0,08	39,4	43,5	17,0	32,1	45,0	25,5	38,9	46,4	29,1	39,1
22	34,93	37,98 +/-0,08	42,5	48,5	18,5	35,3	54,5	31,0	42,0	50,0	31,0	42,0
24	38,10	41,15 +/-0,08	45,7	52,1	21,9	38,1	58,0	33,0	46,0	53,5	33,0	46,0
28	44,45	47,50 +/-0,08	52,0	58,5	26,9	44,4	65,5	36,5	51,1	60,3	36,5	51,1

DRAWN	K.WINCZURA	DATE	15/12/2014	 3RD ANGLE PROJECTION NOT TO SCALE
CHECKED		DATE	15/12/2014	
APPROVED	K.SHEPPARD	DATE	01/09/2015	
APPROVED	H.SMITH	DATE	06/10/2015	
REVISIONS				
LTR	DESCRIPTION	DATE	APPROVED	
E	REVISED PER ECO-14-008400	06.04.14	I.M	
F	REVISED PER ECO-15-014373	01.09.15	H.SMITH	

TITLE:
TINEL-LOCK BACKSHELL

ASSY USED ON:
MIL-DTL-22992



TE CAGE CODE: 06090
POLAMCO/TE CAGE CODE: U5792

TE CONNECTIVITY - POLAMCO LTD RESERVES THE RIGHT TO AMEND THIS DRAWING AND THE INFORMATION SET FORTH HEREON AT ANY TIME. USERS SHOULD INDEPENDENTLY EVALUATE THE SUITABILITY OF THE PRODUCT FOR THEIR APPLICATION.

DRAWING NO: TXR32	DRAWING REV: F	SHT 3
------------------------------------	---------------------------------	------------------------