

## CODE 47 - TINEL-LOCK BACKSHELL

TXR47AB00-1608AI

SERIES \_\_\_\_\_  
 TXR: RING INCLUDED  
 (SEE RING OPTION)  
 TX: RING NOT INCLUDED  
 CONNECTOR INTERFACE \_\_\_\_\_  
 MATERIAL \_\_\_\_\_  
 REFER TO CH00-0250-008  
 FINISH \_\_\_\_\_  
 REFER TO CH00-0250-008  
 ANGLE \_\_\_\_\_  
 ORDER NUMBER (TABLE 1) \_\_\_\_\_  
 ENTRY SIZE (TABLE 2) \_\_\_\_\_  
 RING OPTION \_\_\_\_\_  
 AI - TO SUIT SINGLE BRAID  
 BI - TO SUIT DOUBLE BRAID  
 FOR TX, LEAVE BLANK  
 MODIFICATION CODE \_\_\_\_\_  
 REFER TO CH00-0250-008 ②

### NOTES:

1. THIS PRODUCT IS DESIGNED TO TERMINATE A BRAIDED CABLE SHIELD AND A HEAT SHRINKABLE LIPPED BOOT TO A CONNECTOR.

② FOR ADDITIONAL DIMENSIONS, ORDERING INFORMATION AND MODIFICATIONS, SEE CH00-0250-008.

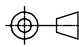


③ SEE DRAWING TR FOR DETAIL ON TINEL-LOCK RING, RINGS ARE DESIGNED TO BE HEATED ELECTRICALLY, ALL RINGS ARE MARKED WITH THERMOCHROMIC PAINT WHICH CHANGES COLOUR WHEN INSTALLATION TEMPERATURE IS REACHED.

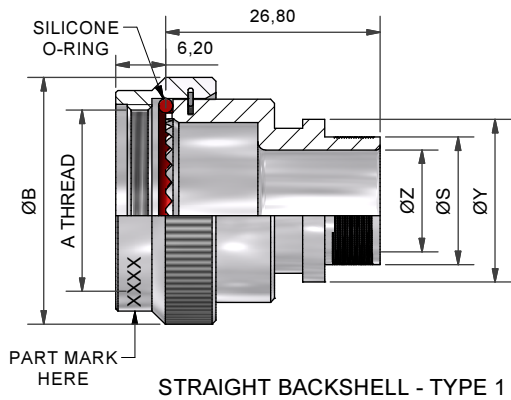
4. BACKSHELL TO BE PERMANENTLY MARKED/BAGGED AND LABELLED WITH CODE IDENTIFICATION NUMBER AND PART NUMBER LESS RING DESIGNATOR. (e.g. 06090-TXR47AB00-1206). RING SHALL BEAR NO MARKING.

⑤ WHEN ENTRY SIZE EXCEEDS "MAX ENTRY", A 2 PIECE BACKSHELL ASSEMBLY (TYPE 2) IS SUPPLIED.

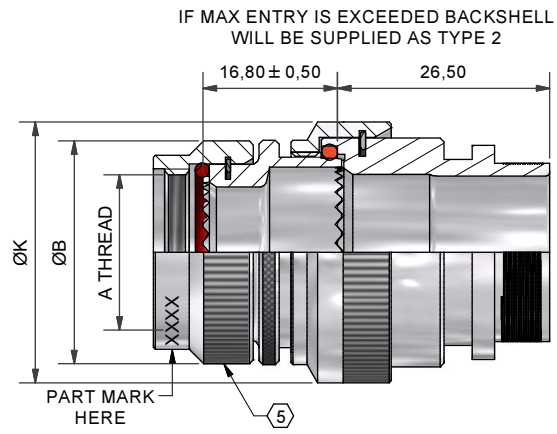
6. BACKSHELL MATES TO VG96912 CONNECTORS, FOR EXAMPLE AMPHENOL SJT SERIES.

If this document is printed it becomes uncontrolled. Check for the latest revision

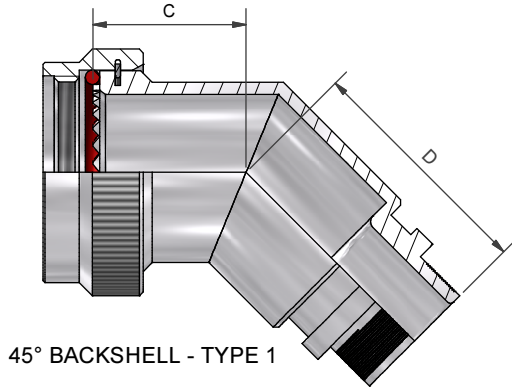
DRAWN	K.WINCZURA	DATE	10/06/2015	 3RD ANGLE PROJECTION NOT TO SCALE	<b>TITLE:</b>  TINEL LOCK BACKSHELL	 Polamco		
CHECKED		10/06/2015						
APPROVED	K.SHEPPARD	26/06/2015	UNLESS OTHERWISE SPECIFIED ALL DIMENSIONS IN MILLIMETRES GENERAL TOL LINEAR +/-0.25MM ANGULAR +/- 1°					
APPROVED	H.SMITH	07/07/2015						
<b>REVISIONS</b>					<b>ASSY USED ON:</b>  VG96912	 TE connectivity		
LTR	DESCRIPTION	DATE	APPROVED					
D	REVISED PER DCR R060313	22/05/2006	MPIOZET					
E	REVISED PER ECO-15-009991	07/07/2015	H.SMITH					
TE CAGE CODE: 06090 POLAMCO/TE CAGE CODE: U5792					TE CONNECTIVITY - POLAMCO LTD RESERVES THE RIGHT TO AMEND THIS DRAWING AND THE INFORMATION SET FORTH HEREON AT ANY TIME. USERS SHOULD INDEPENDENTLY EVALUATE THE SUITABILITY OF THE PRODUCT FOR THEIR APPLICATION.	DRAWING NO: <b>TXR47</b>	DRAWING REV: <b>E</b>	SHT <b>1</b>



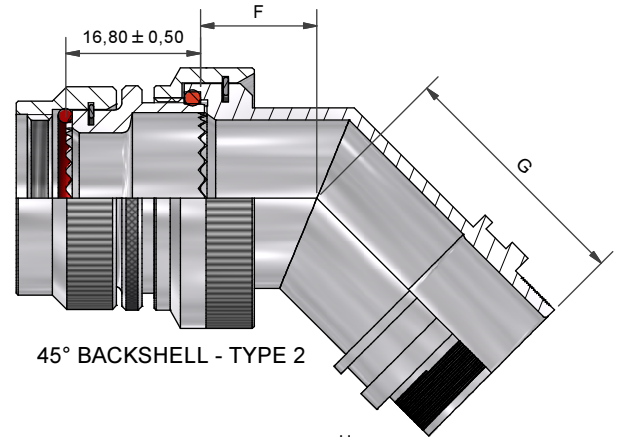
STRAIGHT BACKSHELL - TYPE 1



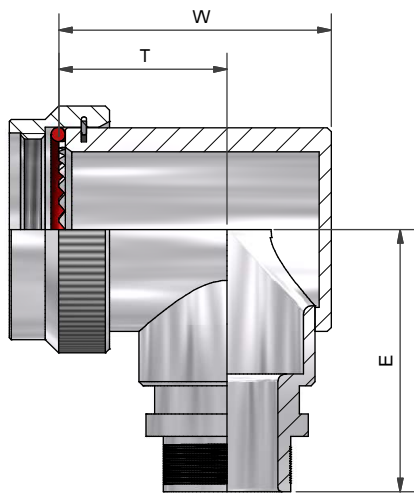
STRAIGHT BACKSHELL - TYPE 2



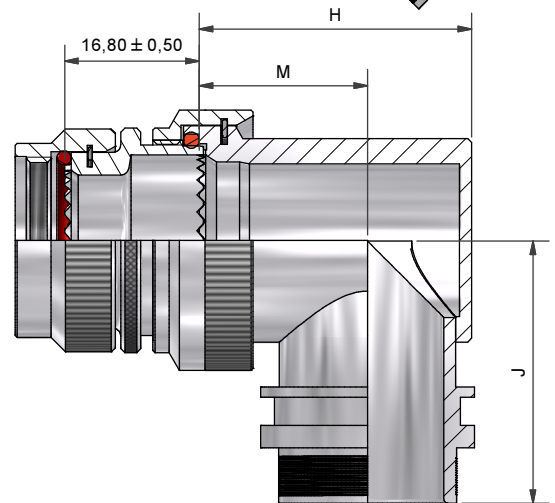
45° BACKSHELL - TYPE 1



45° BACKSHELL - TYPE 2

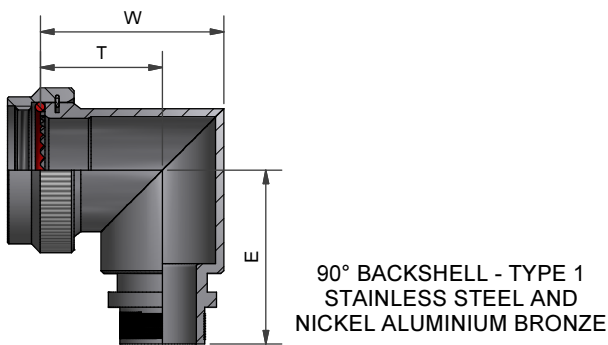


90° BACKSHELL - TYPE 1

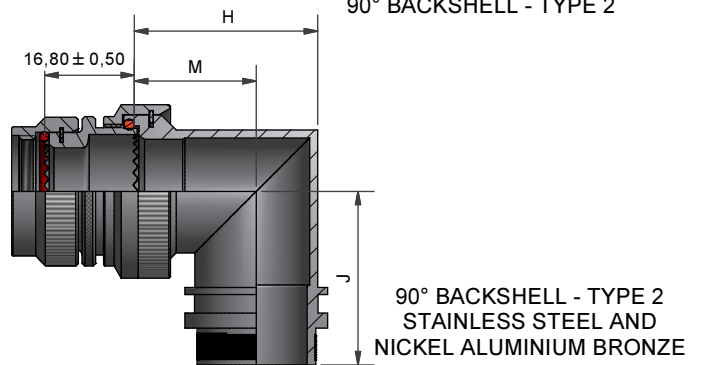


90° BACKSHELL - TYPE 2

If this document is printed it becomes uncontrolled. Check for the latest revision



90° BACKSHELL - TYPE 1  
STAINLESS STEEL AND  
NICKEL ALUMINIUM BRONZE



90° BACKSHELL - TYPE 2  
STAINLESS STEEL AND  
NICKEL ALUMINIUM BRONZE

DRAWN	K.WINCZURA	DATE	10/06/2015
CHECKED		DATE	10/06/2015
APPROVED	K.SHEPPARD	DATE	26/06/2015
APPROVED	H.SMITH	DATE	07/07/2015
REVISIONS			
LTR	DESCRIPTION	DATE	APPROVED
D	REVISED PER DCR R060313	22/05/2006	MPIOZET
E	REVISED PER ECO-15-009991	07/07/2015	H.SMITH

3RD ANGLE PROJECTION  
NOT TO SCALE

UNLESS OTHERWISE SPECIFIED  
ALL DIMENSIONS IN MILLIMETRES  
GENERAL TOL  
LINEAR +/-0.25MM  
ANGULAR +/- 1°

TITLE:  
**TINEL LOCK BACKSHELL**

ASSY USED ON:  
**VG96912**



TE CAGE CODE: 06090  
POLAMCO/TE CAGE CODE: U5792

TE CONNECTIVITY - POLAMCO LTD RESERVES THE RIGHT TO AMEND THIS DRAWING AND THE INFORMATION SET FORTH HEREON AT ANY TIME. USERS SHOULD INDEPENDENTLY EVALUATE THE SUITABILITY OF THE PRODUCT FOR THEIR APPLICATION.

DRAWING NO: <b>TXR47</b>	DRAWING REV: <b>E</b>	SHT <b>2</b>
-----------------------------	--------------------------	-----------------

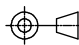


THESE DIMENSIONS APPLY IF  
BACKSHELL IS STAINLESS STEEL  
OR NICKEL ALUMINIUM BRONZE

ORDER NO.	SHELL SIZE	A THREAD	ØB MAX	MAX ENTRY	C ±0,5	D ±0,5	W ±0,5	T ±0,5	E ±0,5	W ±0,5	T ±0,5	E ±0,5
08	08	7/16-28UNEF	18,3	04	16,4	26,8	21,0	14,0	26,2	21,3	16,4	26,4
10	10	9/16-24UNEF	21,5	07	17,2	27,5	24,0	15,5	28,0	24,4	17,3	28,2
12	12	11/16-24UNEF	24,5	08	17,6	28,0	27,0	17,0	29,5	28,4	19,5	29,7
14	14	13/16-20UNEF	27,8	10	18,5	29,0	31,0	19,5	31,0	31,2	21,0	31,2
16	16	15/16-20UNEF	30,8	12	19,2	29,7	34,0	21,0	32,7	34,3	22,8	32,9
18	18	1 1/16-18UNEF	34,1	14	19,6	30,5	35,0	20,0	34,3	38,6	25,3	34,5
20	20	1 3/16-18UNEF	37,3	16	20,4	30,9	38,0	21,5	35,8	40,8	26,1	36,1
22	22	1 5/16-18UNEF	40,5	18	20,8	31,1	42,0	24,0	37,4	43,8	27,6	37,6
24	24	1 7/16-18UNEF	43,7	20	21,7	32,1	45,0	25,5	38,9	46,5	29,1	39,1

THESE DIMENSIONS APPLY IF  
BACKSHELL IS STAINLESS STEEL  
OR NICKEL ALUMINIUM BRONZE

ENTRY SIZE	ØZ MIN	ØS	ØY ± 0,3	ØK MAX	F ±0,5	G ±0,5	H ±0,5	M ±0,5	J ±0,5	H ±0,5	M ±0,5	J ±0,5
04	6,35	9,49 +/-0,04	14,00	NA	NA	NA	NA	NA	NA	NA	NA	NA
05	7,92	11,06 +/-0,04	15,50	21,0	12,5	27,5	24,0	15,5	28,0	24,3	17,2	28,2
06	9,53	12,66 +/-0,04	17,10	21,0	12,5	27,5	24,0	15,5	28,0	24,3	17,2	28,2
07	11,10	14,21 +/-0,07	18,70	21,0	12,5	27,5	24,0	15,5	28,0	24,3	17,2	28,2
08	12,70	15,81 +/-0,07	20,30	24,5	13,1	28,0	27,0	17,0	29,5	28,3	19,4	29,7
10	15,88	18,96 +/-0,08	23,50	29,0	13,5	29,0	31,0	19,5	31,0	31,1	21,0	31,2
12	19,05	22,14 +/-0,08	26,70	32,5	14,5	29,7	34,0	21,0	32,7	34,2	22,8	32,9
14	22,23	25,30 +/-0,08	29,80	35,5	15,5	30,5	35,0	20,0	34,3	38,5	25,3	34,5
16	25,40	28,48 +/-0,08	33,00	37,0	16,1	30,9	38,0	21,5	35,8	40,7	26,1	36,1
18	28,58	31,65 +/-0,08	36,20	40,0	16,5	31,1	42,0	24,0	37,4	43,7	27,6	37,6
20	31,75	34,83 +/-0,08	39,40	43,5	17,0	32,1	45,0	25,5	38,9	46,4	29,1	39,1
22	34,93	37,98 +/-0,08	42,50	48,5	18,5	35,3	54,5	31,0	42,0	50,0	31,0	42,0
24	38,10	41,15 +/-0,08	45,70	52,1	21,9	38,1	58,0	33,0	46,0	53,5	33,0	46,0

If this document is printed it becomes uncontrolled. Check for the latest revision

DRAWN	K.WINCZURA	DATE	10/06/2015	 3RD ANGLE PROJECTION NOT TO SCALE	<b>TITLE:</b>  <b>TINEL LOCK BACKSHELL</b>	 Polanco		
CHECKED		10/06/2015						
APPROVED	K.SHEPPARD	26/06/2015	UNLESS OTHERWISE SPECIFIED ALL DIMENSIONS IN MILLIMETRES GENERAL TOL LINEAR +/-0,25MM ANGULAR +/- 1°					
APPROVED	H.SMITH	07/07/2015						
<b>REVISIONS</b>					<b>ASSY USED ON:</b>  <b>VG96912</b>	 TE connectivity		
LTR	DESCRIPTION	DATE	APPROVED					
D	REVISED PER DCR R060313	22/05/2006	MPIOZET					
E	REVISED PER ECO-15-009991	07/07/2015	H.SMITH					
TE CAGE CODE: 06090 POLAMCO/TE CAGE CODE: U5792					TE CONNECTIVITY - POLAMCO LTD RESERVES THE RIGHT TO AMEND THIS DRAWING AND THE INFORMATION SET FORTH HEREON AT ANY TIME. USERS SHOULD INDEPENDENTLY EVALUATE THE SUITABILITY OF THE PRODUCT FOR THEIR APPLICATION.	<b>DRAWING NO:</b> <b>TXR47</b>	<b>DRAWING REV:</b> <b>E</b>	<b>SHT</b> <b>3</b>