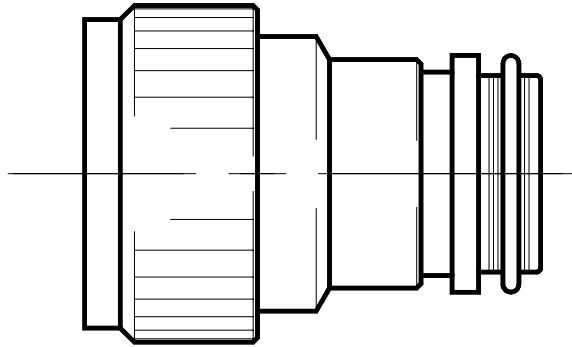


REVISIONS			
LTR	DESCRIPTION	DATE	APPROVED
N/C	INITIAL ISSUE	SEP 97	KJW



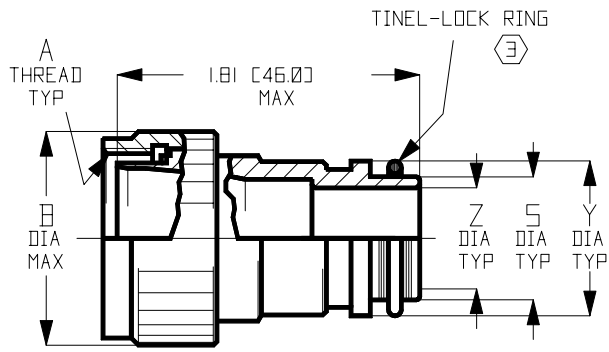
CODE 58 TINEL-LOCK ADAPTER

NOTES:

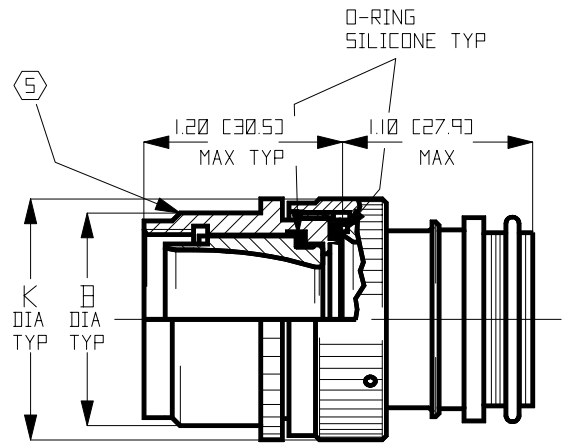
- THIS PRODUCT IS DESIGNED TO TERMINATE A BRAIDED CABLE SHIELD AND A HEAT SHRINKABLE LIPPED BOOT TO A CONNECTOR.
- SEE CHØØ-Ø25Ø-ØØØ FOR ORDERING INFORMATION, MODIFICATIONS AND ADDITIONAL DIMENSIONS.
- SEE DRAWING TR FOR DETAIL ON TINEL-LOCK RING. RINGS ARE DESIGNED TO BE HEATED ELECTRICALLY. ALL RINGS ARE MARKED WITH THERMOCHROMIC PAINT WHICH CHANGES COLOUR WHEN INSTALLATION TEMPERATURE IS REACHED.
- ADAPTER TO BE PERMANENTLY MARKED WITH CODE IDENTIFICATION NUMBER AND PART NUMBER LESS RING DESIGNATOR. (e.g. Ø6Ø9Ø-TXR58AØØØ-2Ø12). RING SHALL BEAR NO MARKING.
- FOR LARGER ENTRY SIZES, A 2 PIECE ADAPTER (TYPE II) IS SUPPLIED.
- ADAPTOR MATES TO: ITT CANNON M531ØØ, M531Ø1, M531Ø6 AND M531Ø8 CONNECTORS, CLASSES E, F AND R LESS ACCESSORIES, TO MIL-C-5Ø15Ø.

**If this document is printed it becomes uncontrolled.  
Check with document control for latest revision.**  
SPECIFICATION CONTROL DRAWING

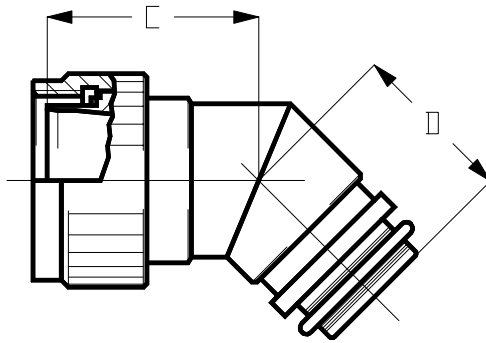
UNLESS OTHERWISE SPECIFIED DIMENSIONS ARE IN INCHES. METRIC DIMENSIONS ARE IN BRACKETS. DECIMALS .X # --- [ MM] .XX # --- [ MM] .XXX # --- [ MM] ANGLES .X # ---	DRAWN IRT DATE SEP 97	RAYCHEM CORPORATION 300 CONSTITUTION DRIVE MENLO PARK CALIFORNIA 94025			
	CHECKED KJW DATE SEP 97				
	APPROVED KJW DATE SEP 97	TITLE TINEL-LOCK™ ADAPTER			
	APPROVED KJW DATE SEP 97				
CAD NAME TXR58SCD-1		SIZE A	CODE IDENT. NO. Ø6Ø9Ø	DWG. NO. TXR58	REV N/C
THIRD ANGLE PROJECTION 		DO NOT SCALE THIS DWG		SHEET 1 OF 3	



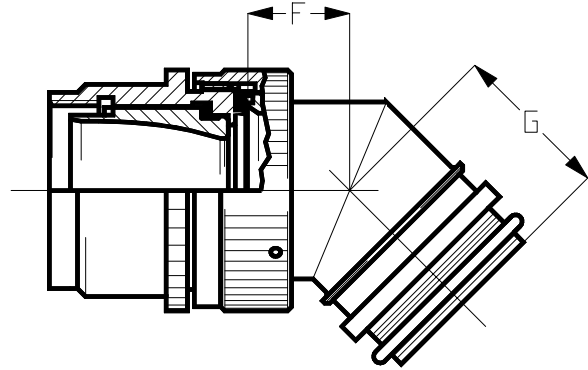
STRAIGHT ADAPTER - TYPE I



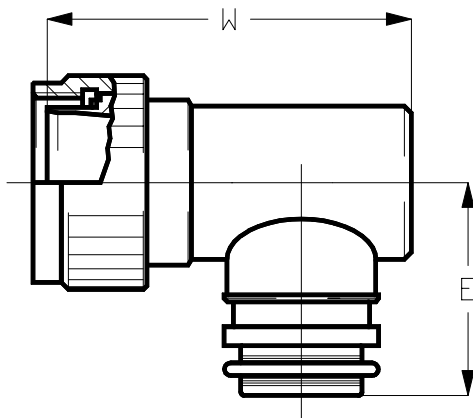
STRAIGHT ADAPTER - TYPE II



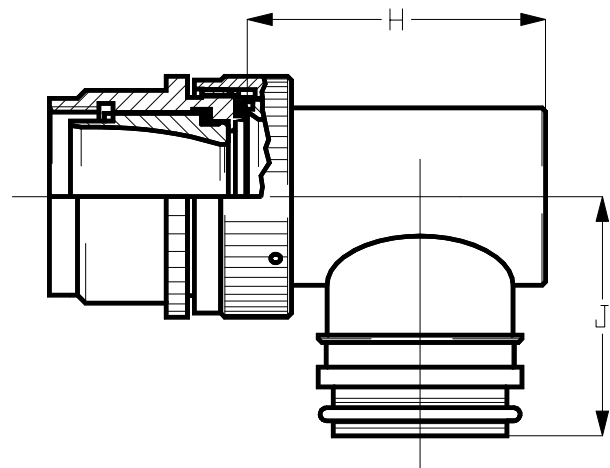
45# ADAPTER - TYPE I



45# ADAPTER - TYPE II



90# ADAPTER - TYPE I



90# ADAPTER - TYPE II

If this document is printed it becomes uncontrolled.  
Check with document control for latest revision.

SIZE A	CODE IDENT. NO. 06090	DWG. NO. TXR58	REV N/C
DO NOT SCALE THIS DWG		SHEET 2 OF 3	

ORDER NO.	SHELL SIZE Ⓟ	MAX ENTRY SIZE TYPE I Ⓢ	A UNIFIED THREAD CLASS 2B	B DIA MAX	C MAX	D MAX	E MAX
10	105L	05	0.5625"-24 UNEF	.79 [20.1]	.77 [19.5]	.89 [22.5]	1.06 [27.0]
12	12 & 125	05	0.6250"-24 UNEF	.92 [23.4]	.85 [21.5]	.89 [22.5]	1.10 [28.0]
14	145	07	0.7500"-20 UNEF	.98 [24.9]	.89 [22.5]	.91 [23.0]	1.12 [28.5]
16	16 & 165	08	0.8750"-20 UNEF	1.09 [27.7]	.93 [23.5]	.93 [23.5]	1.18 [30.0]
18	18	08	1.0000"-20 UNEF	1.23 [31.2]	1.24 [31.5]	.93 [23.5]	1.20 [30.5]
20	20	12	1.1250"-18 UNEF	1.41 [35.7]	1.26 [32.0]	.98 [25.0]	1.30 [33.0]
22	22	12	1.2500"-18 UNEF	1.53 [38.9]	1.30 [33.0]	1.00 [25.5]	1.32 [33.5]
24	24	16	1.3750"-18 UNEF	1.65 [42.0]	1.32 [33.5]	1.02 [26.0]	1.42 [36.0]
28	28	18	1.6250"-18 UNEF	1.91 [48.4]	1.38 [35.0]	1.06 [27.0]	1.48 [37.5]
32	32	20	1.8750"-16 UN	2.15 [54.7]	1.44 [36.5]	1.10 [28.0]	1.57 [40.0]
36	36	22	2.1250"-16 UN	2.70 [68.6]	1.50 [38.0]	1.14 [29.0]	1.77 [45.0]

ENTRY SIZE	Z DIA +0.010 -0.020 [+0.25] [-0.50]	S DIAMETER	Y DIA #015 [#0.38]	W MAX	F MAX	G MAX	H MAX	J MAX	K MAX
04	.250 [6.35]	.376 [9.56] .370 [9.39]	.550 [13.97]	1.71 [43.5]	N/A	N/A	N/A	N/A	N/A
05	.312 [7.92]	.438 [11.13] .432 [10.97]	.612 [15.54]	1.75 [44.5]	N/A	N/A	N/A	N/A	N/A
06	.375 [9.52]	.501 [12.73] .495 [12.57]	.675 [17.14]	1.81 [46.0]	.77 [19.6]	.93 [23.6]	1.19 [30.2]	1.16 [29.5]	.80 [20.3]
07	.437 [11.09]	.563 [14.31] .556 [14.12]	.737 [18.71]	1.87 [47.5]	.80 [20.3]	.95 [24.1]	1.38 [35.1]	1.22 [31.0]	.92 [23.4]
08	.500 [12.70]	.626 [15.91] .619 [15.72]	.800 [20.32]	1.95 [49.5]	.80 [20.3]	.95 [24.1]	1.38 [35.1]	1.22 [31.0]	.92 [23.4]
10	.625 [15.87]	.752 [19.11] .742 [18.84]	.925 [23.49]	2.07 [52.5]	.84 [21.3]	1.00 [25.4]	1.51 [38.4]	1.35 [34.3]	1.18 [30.0]
12	.750 [19.05]	.877 [22.28] .867 [22.02]	1.050 [26.67]	2.19 [55.5]	.86 [21.8]	1.01 [25.7]	1.63 [41.4]	1.40 [35.6]	1.35 [34.3]
14	.875 [22.23]	1.002 [25.46] .991 [25.17]	1.175 [29.84]	2.32 [59.0]	.88 [22.4]	1.04 [26.4]	1.78 [45.2]	1.46 [37.1]	1.41 [35.8]
16	1.000 [25.40]	1.127 [28.63] 1.116 [28.34]	1.300 [33.02]	2.44 [62.0]	.91 [23.1]	1.06 [26.9]	1.88 [47.8]	1.53 [38.9]	1.60 [40.6]
18	1.125 [28.57]	1.252 [31.81] 1.241 [31.52]	1.425 [36.19]	2.56 [65.0]	.93 [23.6]	1.09 [27.7]	2.01 [51.1]	1.59 [40.4]	1.66 [42.2]
20	1.250 [31.75]	1.377 [34.98] 1.366 [34.69]	1.550 [39.37]	2.72 [69.0]	.98 [24.9]	1.13 [28.7]	2.13 [54.1]	1.78 [45.2]	2.04 [51.8]
22	1.375 [34.93]	1.502 [38.15] 1.488 [37.79]	1.675 [42.55]	2.80 [71.0]	1.03 [26.2]	1.38 [35.1]	2.29 [58.2]	1.85 [47.0]	2.23 [56.6]
24	1.500 [38.10]	1.627 [41.33] 1.613 [40.97]	1.800 [45.72]	N/A	1.08 [27.4]	1.44 [36.6]	2.42 [61.5]	1.92 [48.8]	2.23 [56.6]

If this document is printed it becomes uncontrolled.  
Check with document control for latest revision.

SIZE	CODE IDENT. NO.	DWG. NO.	REV
A	06090	TXR58	N/C
DO NOT SCALE THIS DWG			SHEET 3 OF 3