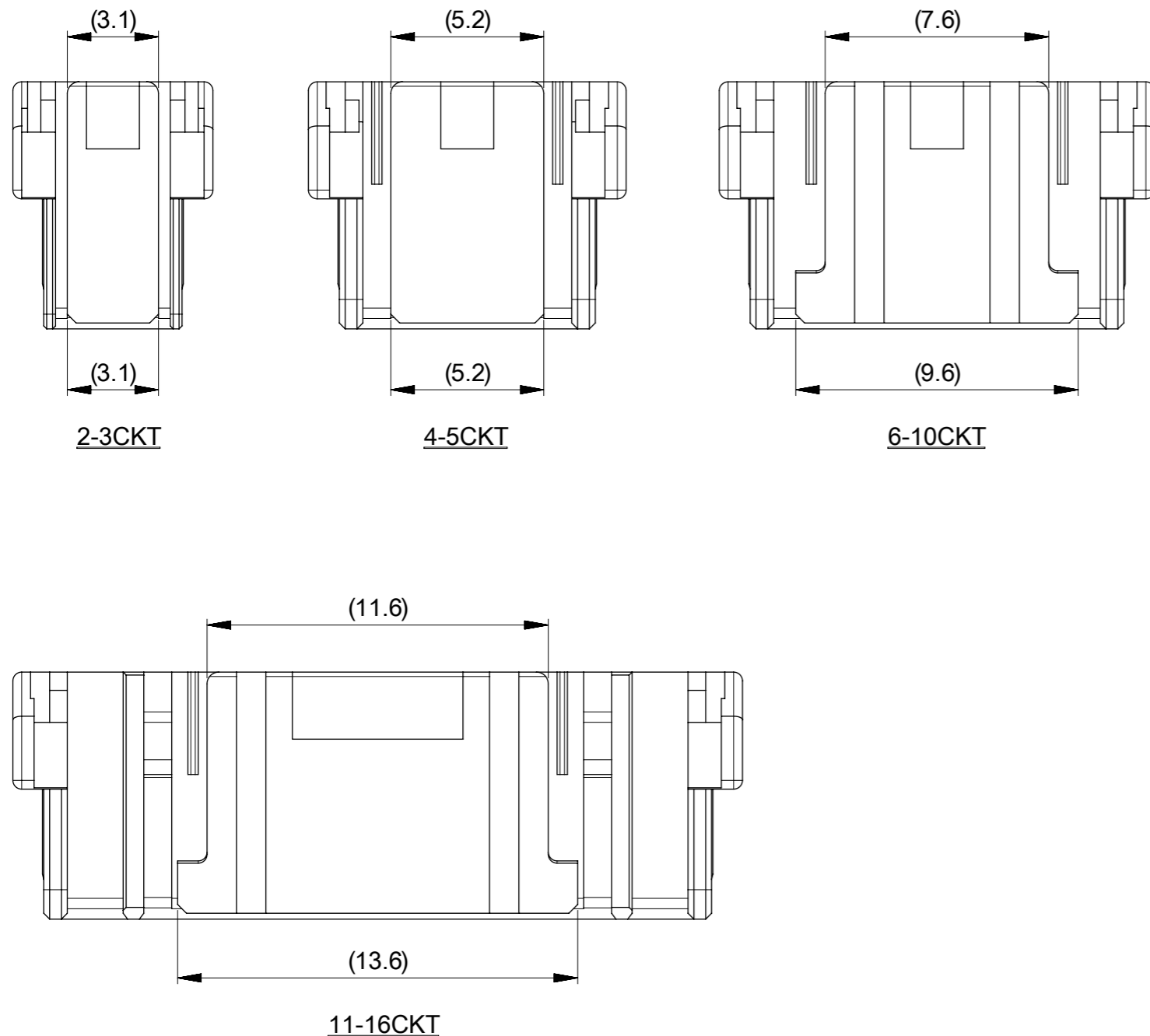


32.7	34.8	5055701601	5055701600	16
30.7	32.8	5055701501	5055701500	15
28.7	30.8	5055701401	5055701400	14
26.7	28.8	5055701301	5055701300	13
24.7	26.8	5055701201	5055701200	12
22.7	24.8	5055701101	5055701100	11
20.7	22.8	5055701001	5055701000	10
18.7	20.8	5055700901	5055700900	9
16.7	18.8	5055700801	5055700800	8
14.7	16.8	5055700701	5055700700	7
12.7	14.8	5055700601	5055700600	6
10.7	12.8	5055700501	5055700500	5
8.7	10.8	5055700401	5055700400	4
6.7	8.8	5055700301	5055700300	3
4.7	6.8	5055700201	5055700200	2
B	A	BLACK	NATURAL	CIRCUIT
		ORDER NO.		

THIS DRAWING CONTAINS INFORMATION THAT IS PROPRIETARY TO MOLEX ELECTRONIC TECHNOLOGIES, LLC AND SHOULD NOT BE USED WITHOUT WRITTEN PERMISSION

EC NO: 103734 DRWN: TENAGASE CHK'D: TKANEKO APPR: TKANEKO	2016/03/29 2016/04/18 2016/04/18	GENERAL TOLERANCES (UNLESS SPECIFIED) ANGULAR TOL ± 3.0 °	DIMENSION UNITS: mm SCALE: 5:1		
	4 PLACES ± 3 PLACES ± 2 PLACES ± 1 PLACE ± 0.2 0 PLACES ± 0.2	DRWN BY: TENAGASE DATE: 2016/03/29	DRWF BY: TENAGASE DATE: 2016/03/29		MICRO-LOCK PLUS 2.0MM PITCH WIRE TO BOARD REC. HOUSING
	DRAFT WHERE APPLICABLE MUST REMAIN WITHIN DIMENSIONS	CHK'D BY: KOMURAKAMI DATE: 2016/04/18	APPR BY: TKANEKO DATE: 2016/04/18		
	A	REV: 3	DRAWING SIZE: A3 THIRD ANGLE PROJECTION		SERIES: 505570 MATERIAL NUMBER: SEE CHART CUSTOMER: GENERAL
RELEASE STATUS: P1 RELEASE DATE: 2016/04/18 02:42:46		DOCUMENT NUMBER: 5055700001 DOC TYPE: PSD DOC PART: 000 SHEET NUMBER: 1 OF 2		A	

ロック形状  
LOCK FORM



NOTE

1. 適合ターミナルシリーズ : 505572シリーズ  
APPLICABLE TERMINAL : 505572 SERIES

2. 嵌合相手 : 505575,505578シリーズ  
MATE WITH : 505575,505578 SERIES

3. 偶数極に適用。  
APPLY FOR EVEN CIRCUIT.

4. トレードマーク : MXLにて表示。  
キャビティー番号 : 1桁から2桁の数字にて表示。 金型番号 : アルファベット1文字にて表示。  
TRADE MARK IS FORMED BY MXL.  
AND BY 1-2 DIGIT NUMBER (TO CAVITY No.)  
AND BY LETTER OD ALPHABET (TO MOLD No.)

5. 本製品のプラスチック部に黒点等が確認される場合や、色合いが異なる場合が御座いますが、製品性能に影響は御座いません。  
THERE IS NO INFLUENCE IN THE PRODUCT PERFORMANCE THOUGH THE BLACK SPOT ETC.  
MIGHT BE CONFIRMED TO THE PLAXTIC PART OF THIS PRODUCT AND THE SHADE MIGHT BE DIFFERENT.

6. 製品の取扱いについては、コネクタ取扱説明書(AS-5055700001-000)を参照願います。  
PLEASE REFER TO INSTRUCTION MANUAL(AS-5055700001-000).

7. ELV及びRoHS適合品  
ELV AND RoHS COMPLIANT.

THIS DRAWING CONTAINS INFORMATION THAT IS PROPRIETARY TO MOLEX ELECTRONIC TECHNOLOGIES, LLC AND SHOULD NOT BE USED WITHOUT WRITTEN PERMISSION

EC NO: 103734 DRWN: TENAGASE CHK'D: TKANEKO APPR: TKANEKO 2016/03/29 2016/04/18 2016/04/18	GENERAL TOLERANCES (UNLESS SPECIFIED)		DIMENSION UNITS	SCALE				
	ANGULAR TOL ± 3.0 °		mm	5:1				
	4 PLACES	±	DRWN BY	DATE	MICRO-LOCK PLUS 2.0MM PITCH WIRE TO BOARD REC. HOUSING			
	3 PLACES	±	TENAGASE	2016/03/29				
	2 PLACES	±	CHK'D BY	DATE	PRODUCT CUSTOMER DRAWING			
1 PLACE	± 0.2	KOMURAKAMI						
0 PLACES	± 0.2	APPR BY	DATE	SERIES	MATERIAL NUMBER	CUSTOMER		
DRAFT WHERE APPLICABLE MUST REMAIN WITHIN DIMENSIONS		TKANEKO	2016/04/18	505570	SEE CHART	GENERAL		
		DRAWING SIZE	THIRD ANGLE PROJECTION	DOCUMENT NUMBER		DOC TYPE	DOC PART	SHEET NUMBER
		A3		5055700001		PSD	000	2 OF 2