

Single Digit Surface Mount LED Numeric Display

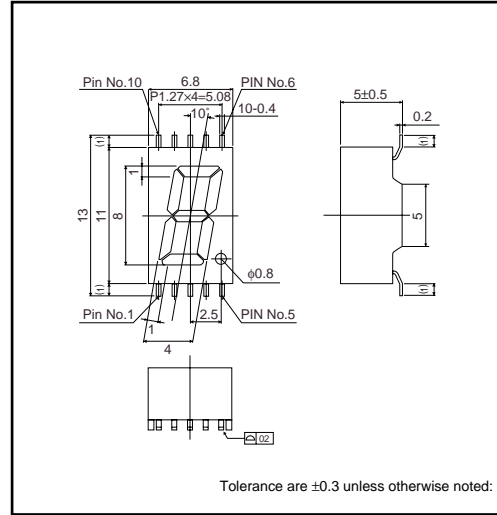
LF-301 A / K Series

LF-301 A / K series of Single Digit Surface Mount LED Numeric Display which the height of a letter 8mm have ROHM original structure that realizes re-flow soldering.

●Features

- 1) Re-flow soldering
- 2) Pb-free available
- 3) Automatic mounting with taping pack

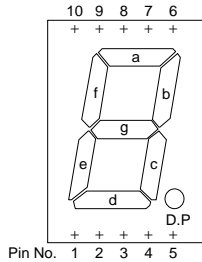
●External dimensions (Unit : mm)



●Selection guide

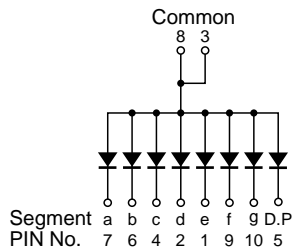
Common	Emitting color	
	Red	Green
Anode	LF-301VA	LF-301MA
Cathode	LF-301VK	LF-301MK

●Pin assignments

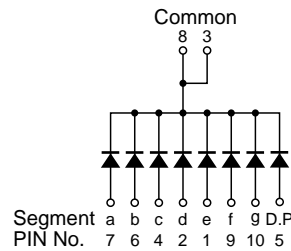


Pin No.	Function
1	Segment "e"
2	Segment "d"
3	Common
4	Segment "c"
5	D.P
6	Segment "b"
7	Segment "a"
8	Common
9	Segment "f"
10	Segment "g"

●Equivalent circuit (anode common)



(cathode common)



LED displays

●Absolute maximum ratings (Ta=25°C)

Parameter	Symbol	Red	Green	Unit
		LF-301VA / VK	LF-301MA / MK	
Power dissipation	P _D	320	480	mW
Power dissipation	P _D / seg	40	60	mW
Forward current	I _F	15	20	mA
Peak forward current	I _{FP}	60 *	60 *	mA
Reverse voltage	V _R	5	5	V
Operating temperature	T _{opr}	-25 to +75		°C
Storage temperature	T _{stg}	-30 to +85		°C

*Pulse width 1ms Duty 1 / 5

●Electrical characteristics (Ta=25°C)

Parameter	Symbol	Conditions	Red		Green		Unit
			Typ.	Max.	Typ.	Max.	
Forward voltage	V _F	I _F =10mA	2.0	2.8	2.1	2.8	V
Reverse current	I _R	V _R =3V	–	100	–	100	μA
Peak wavelength	λ _P	I _F =10mA	650	–	563	–	nm
Spectral line half width	Δλ	I _F =10mA	40	–	40	–	nm

© The products are not radiations resistant.

●Luminous intensity

Color	λ _P (nm)	Type	Min.	Typ.	Unit
Red	650	LF-301VA	3.6	10	mcd
		LF-301VK			
Green	563	LF-301MA	3.6	10	mcd
		LF-301MK			