



# Contactless Memories DEMOKITSLC



- **Target:** *This evaluation kit allows you to understand the capability of an RFID temperature measurement system based on SLC chip*

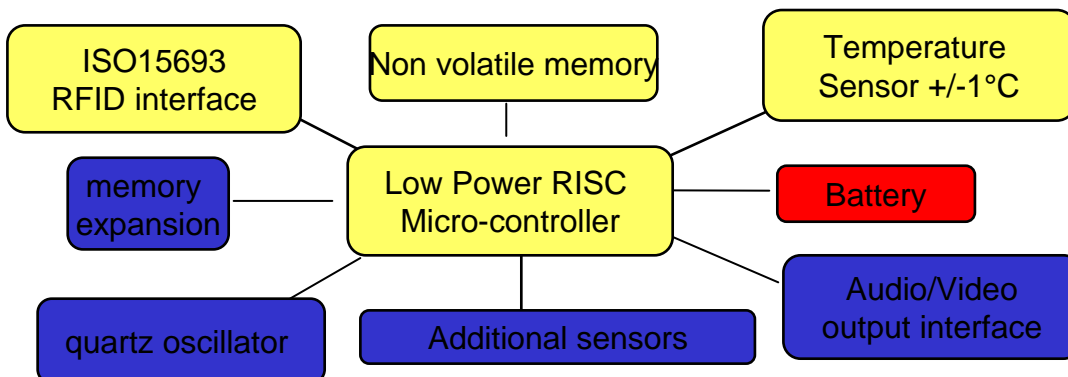
- **Contents:**

- 10 MTSens Tags (chip SLC)
- One Reader RFID 13.56MHz- options:
  - FEIG ISC.PR101-USB
  - Or
  - Montalbano Technology Reader
- USB Cable
- CDROM including the Software, Quick Start Installation and the User's Guide



- **Block Diagram:**

- SLC chip
- External components
- Optional external comp



To order demokits, contact [contactless.memories@st.com](mailto:contactless.memories@st.com)