



## HIGH SIDE SMART POWER SOLID STATE RELAY

TYPE	V <sub>DSS</sub>	R <sub>DS(on)</sub>	I <sub>OUT</sub>	V <sub>CC</sub>
VN02AN	60 V	0.35 Ω	7 A	36 V

- OUTPUT CURRENT (CONTINUOUS):  
7A @ T<sub>c</sub>=25°C
- LOGIC LEVEL 5V COMPATIBLE INPUT
- THERMAL SHUT-DOWN
- UNDER VOLTAGE PROTECTION
- OPEN DRAIN DIAGNOSTIC OUTPUT
- FAST DEMAGNETIZATION OF INDUCTIVE LOAD

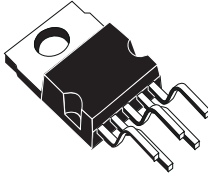
### DESCRIPTION

The VN02AN is a monolithic device made using STMicroelectronics VIPower Technology, intended for driving resistive or inductive loads with one side grounded.

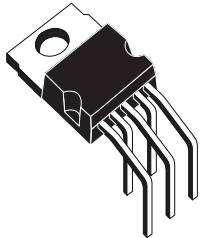
Built-in thermal shut-down protects the chip from over temperature and short circuit.

The diagnostic output indicates an over temperature status.

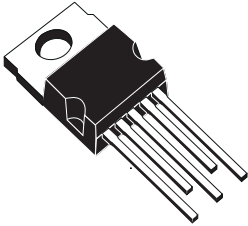
Fast turn-off of inductive load is achieved by negative (-18 V) load voltage at turn-off.



**PENTAWATT  
(vertical)**



**PENTAWATT  
(horizontal)**

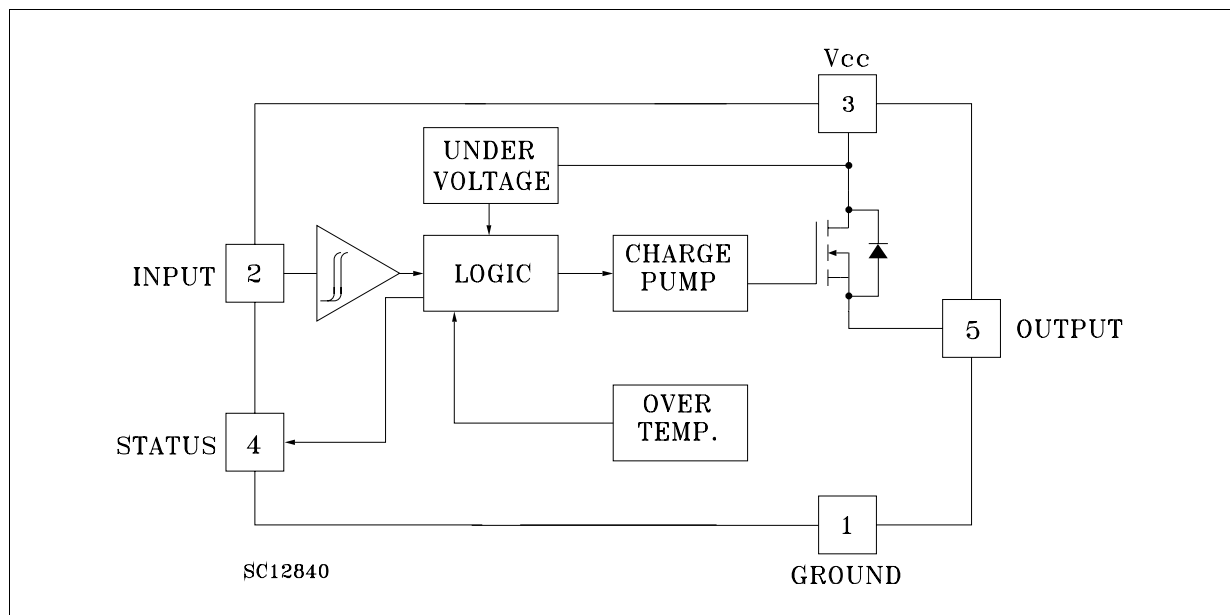


**PENTAWATT  
(in-line)**

**ORDER CODES:**

PENTAWATT vertical	VN02AN
PENTAWATT horizontal	VN02AN(011Y)
PENTAWATT in-line	VN02AN(012Y)

### BLOCK DIAGRAM

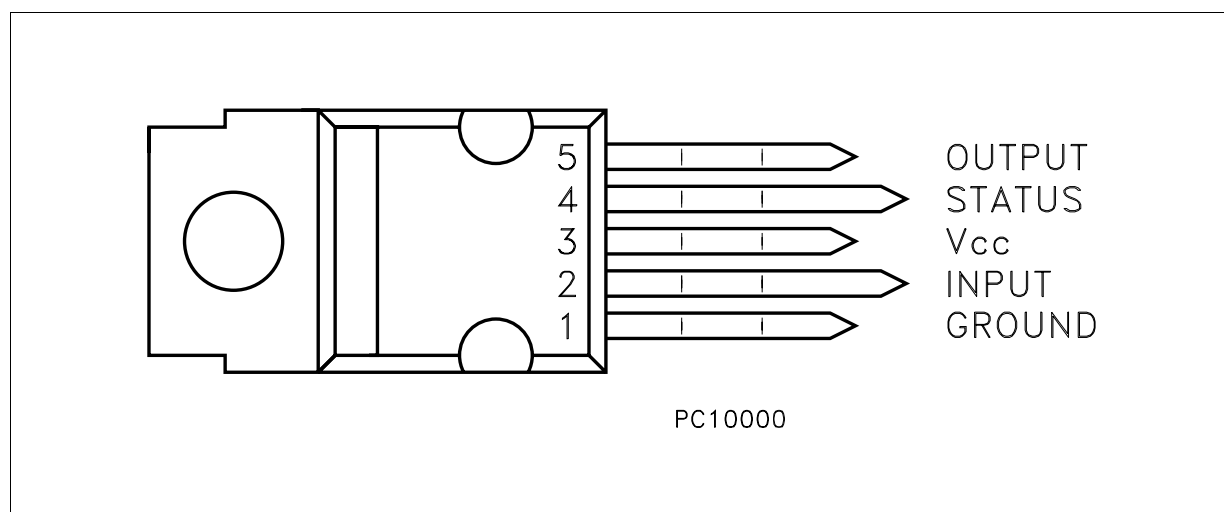


## VN02AN

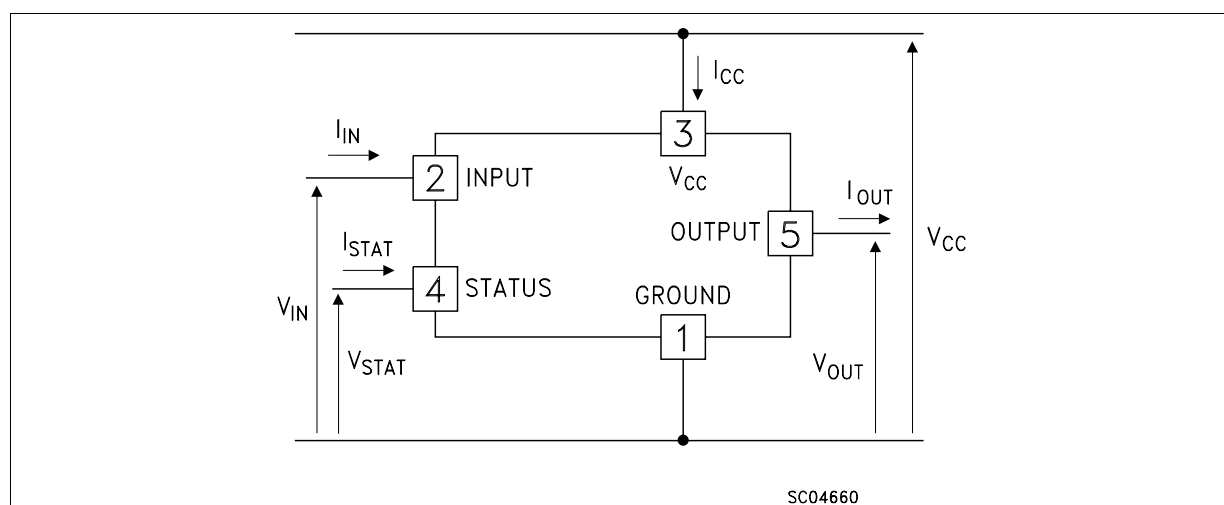
### ABSOLUTE MAXIMUM RATING

Symbol	Parameter	Value	Unit
$V_{(BR)DSS}$	Drain-Source Breakdown Voltage	60	V
$I_{OUT}$	Output Current (cont.)	7	A
$I_R$	Reverse Output Current	-7	A
$I_{IN}$	Input Current	$\pm 10$	mA
$-V_{CC}$	Reverse Supply Voltage	-4	V
$I_{STAT}$	Status Current (sink)	$\pm 10$	mA
$V_{ESD}$	Electrostatic Discharge (1.5 k $\Omega$ , 100 pF)	2000	V
$P_{tot}$	Power Dissipation at $T_c \leq 25\text{ }^\circ\text{C}$	31	W
$T_j$	Junction Operating Temperature	-40 to 150	$^\circ\text{C}$
$T_{stg}$	Storage Temperature	-55 to 150	$^\circ\text{C}$

### CONNECTION DIAGRAMS



### CURRENT AND VOLTAGE CONVENTIONS



## THERMAL DATA

R <sub>thj-case</sub>	Thermal Resistance Junction-case	Max	4	°C/W
R <sub>thj-amb</sub>	Thermal Resistance Junction-ambient	Max	60	°C/W

ELECTRICAL CHARACTERISTICS (V<sub>CC</sub> = 9 to 36 V; T<sub>case</sub> = 25 °C unless otherwise specified)

## POWER

Symbol	Parameter	Test Conditions	Min.	Typ.	Max.	Unit
V <sub>CC</sub> *	Supply Voltage	-40 °C < T <sub>j</sub> < 125 °C	7		36	V
R <sub>on</sub>	On State Resistance	I <sub>OUT</sub> = 3 A I <sub>OUT</sub> = 1 A V <sub>CC</sub> = 30 V T <sub>j</sub> = 125 °C			0.35 0.6	Ω Ω
I <sub>s</sub>	Supply Current	Off State V <sub>CC</sub> = 30 V On State V <sub>CC</sub> = 30 V On State V <sub>CC</sub> = 30 V T <sub>j</sub> = 125 °C			1 9 7	mA mA mA

## SWITCHING

Symbol	Parameter	Test Conditions	Min.	Typ.	Max.	Unit
t <sub>d(on)</sub>	Turn-on Delay Time Of Output Current	I <sub>OUT</sub> = 3 A Resistive Load Input Rise Time < 0.1 μs		15		μs
t <sub>r</sub>	Rise Time Of Output Current	I <sub>OUT</sub> = 3 A Resistive Load Input Rise Time < 0.1 μs		15		μs
t <sub>d(off)</sub>	Turn-off Delay Time Of Output Current	I <sub>OUT</sub> = 3 A Resistive Load Input Rise Time < 0.1 μs		14		μs
t <sub>f</sub>	Fall Time Of Output Current	I <sub>OUT</sub> = 3 A Resistive Load Input Rise Time < 0.1 μs		4.5		μs
(di/dt) <sub>on</sub>	Turn-on Current Slope	I <sub>OUT</sub> = 3 A 25 °C < T <sub>j</sub> < 125 °C I <sub>OUT</sub> = I <sub>OV</sub> 25 °C < T <sub>j</sub> < 125 °C			0.5 1	A/μs A/μs
(di/dt) <sub>off</sub>	Turn-off Current Slope	I <sub>OUT</sub> = 3 A 25 °C < T <sub>j</sub> < 125 °C I <sub>OUT</sub> = I <sub>OV</sub> 25 °C < T <sub>j</sub> < 125 °C			1.5 4	A/μs A/μs
V <sub>DEMAG</sub>	Inductive Load Clamp Voltage	I <sub>OUT</sub> = 3 A -40 °C < T <sub>j</sub> < 125 °C	-24	-18	-14	V

LOGIC INPUT (-40 °C ≤ T<sub>j</sub> ≤ 125 °C unless otherwise specified)

Symbol	Parameter	Test Conditions	Min.	Typ.	Max.	Unit
V <sub>IL</sub>	Input Low Level Voltage				0.8	V
V <sub>IH</sub>	Input High Level Voltage		2		(*)	V
V <sub>I(hyst.)</sub>	Input Hysteresis Voltage			0.5		V
I <sub>IN</sub>	Input Current	V <sub>IN</sub> = 5 V V <sub>IN</sub> = 2 V V <sub>IN</sub> = 0.8 V	25	250	600 300	μA μA μA
V <sub>ICL</sub>	Input Clamp Voltage	I <sub>IN</sub> = 10 mA I <sub>IN</sub> = -10 mA	5.5	6 -0.7	-0.3	V V

**ELECTRICAL CHARACTERISTICS** (continued)

PROTECTION AND DIAGNOSTICS (-40 °C ≤ T<sub>j</sub> ≤ 125 °C unless otherwise specified)

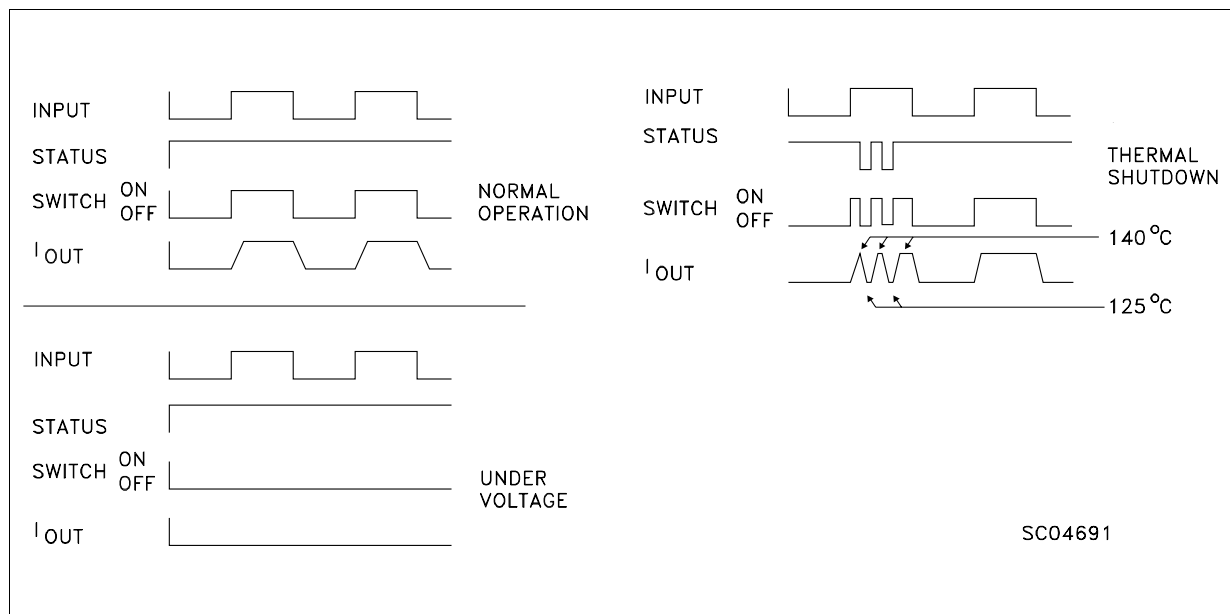
Symbol	Parameter	Test Conditions	Min.	Typ.	Max.	Unit
V <sub>STAT</sub>	Status Voltage Output Low	I <sub>STAT</sub> = 1.6 mA			0.4	V
I <sub>STAT</sub>	Status Leakage Current	V <sub>STAT</sub> = 5 V			10	μA
V <sub>USD</sub>	Under Voltage Shut Down		3.5	6	7	V
V <sub>SCL</sub>	Status Clamp Voltage	I <sub>STAT</sub> = 10 mA I <sub>STAT</sub> = -10 mA	5.5	6 -0.7	-0.3	V V
I <sub>OV</sub>	Over Current	R <sub>LOAD</sub> < 10 mΩ		15		A
I <sub>av</sub>	Average Current In Short Circuit	R <sub>LOAD</sub> < 10 mΩ    T <sub>c</sub> = 85 °C		0.6		A
I <sub>DOFF</sub>	Leakage Current	V <sub>CC</sub> = 30 V			1	mA
T <sub>TSD</sub>	Thermal Shut-down Temperature		140			°C
T <sub>R</sub>	Reset Temperature		125			°C

(\*) The V<sub>ih</sub> is internally clamped at about 6V. It is possible to connect this pin to a higher voltage via an external resistor calculated to not exceed 10 mA at the input pin.

**TRUTH TABLE**

	INPUT	DIAGNOSTIC	OUTPUT
Normal Operation	L	H	L
	H	H	H
Over-temperature	H	L	L
Under-voltage	X	H	L

**Figure 1: Waveforms**



SC04691

**FUNCTIONAL DESCRIPTION**

The device has a diagnostic output which indicates over temperature conditions.

The truth table shows input, diagnostic output status and output voltage level in normal operation and fault conditions. The output signals are processed by internal logic.

To protect the device against short circuit and over current conditions, the thermal protection turns the integrated Power MOS off at a minimum junction temperature of 140 °C. When the temperature returns to 125 °C the switch is automatically turned on again. To ensure the protection in all V<sub>CC</sub> conditions and in all the junction temperature range it is necessary to limit the voltage drop across Drain and Source (pin 3 and 5) at 28V according to:

$$V_{ds} = V_{CC} - I_{OV} * (R_i + R_w + R_l)$$

where:

R<sub>i</sub> = internal resistance of Power Supply

R<sub>w</sub> = Wires resistance

R<sub>l</sub> = Short Circuit resistance

Driving inductive loads, an internal function of the device ensures the fast demagnetization with typical voltage (V<sub>demag</sub>) of -18V.

This function allows the reduction of the power dissipation according to the formula:

$$P_{dem} = 0.5 * I_{load} * (I_{load})^2 * [(V_{CC} + V_{dem})/V_{dem}] * f$$

where f = Switching Frequency

Based on this formula it is possible to know the value of inductance and/or current to avoid a thermal shut-down.

**PROTECTING THE DEVICE AGAINST REVERSE BATTERY**

The simplest way to protect the device against a continuous reverse battery voltage (-36V) is to insert a Schottky diode between pin 1 (GND) and ground, as shown in the typical application circuit (Fig. 3). The consequences of the voltage drop across this diode are as follows:

If the input is pulled to power GND, a negative voltage of -V<sub>f</sub> is seen by the device. (V<sub>il</sub>, V<sub>ih</sub> thresholds and V<sub>stat</sub> are increased by V<sub>f</sub> with respect to power GND).

The undervoltage shut-down level is increased by V<sub>f</sub>.

If there is no need for the control unit to handle external analog signals referred to the power GND, the best approach is to connect the reference potential of the control unit to node [1] (see application circuit in fig. 4), which becomes the common signal GND for the whole control board avoiding shift of V<sub>ih</sub>, V<sub>il</sub> and V<sub>stat</sub>. This solution allows the use of a standard diode.

**Figure 2:** Over Current Test Circuit

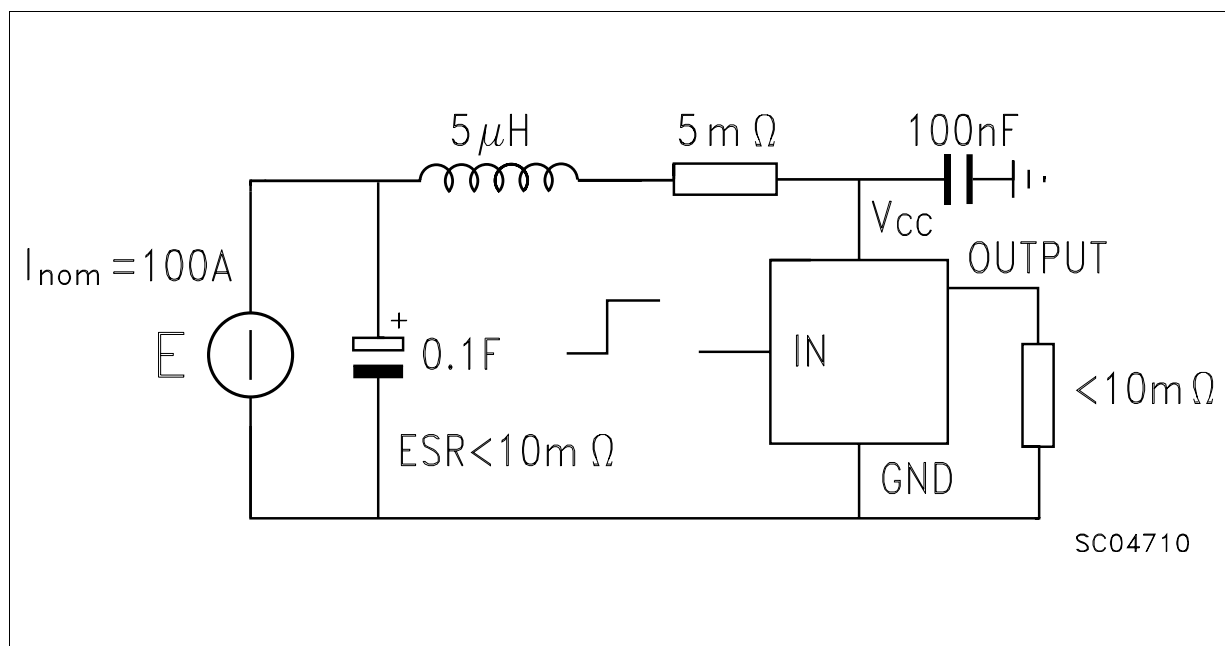


Figure 3: Typical Application Circuit With A Schottky Diode For Reverse Supply Protection

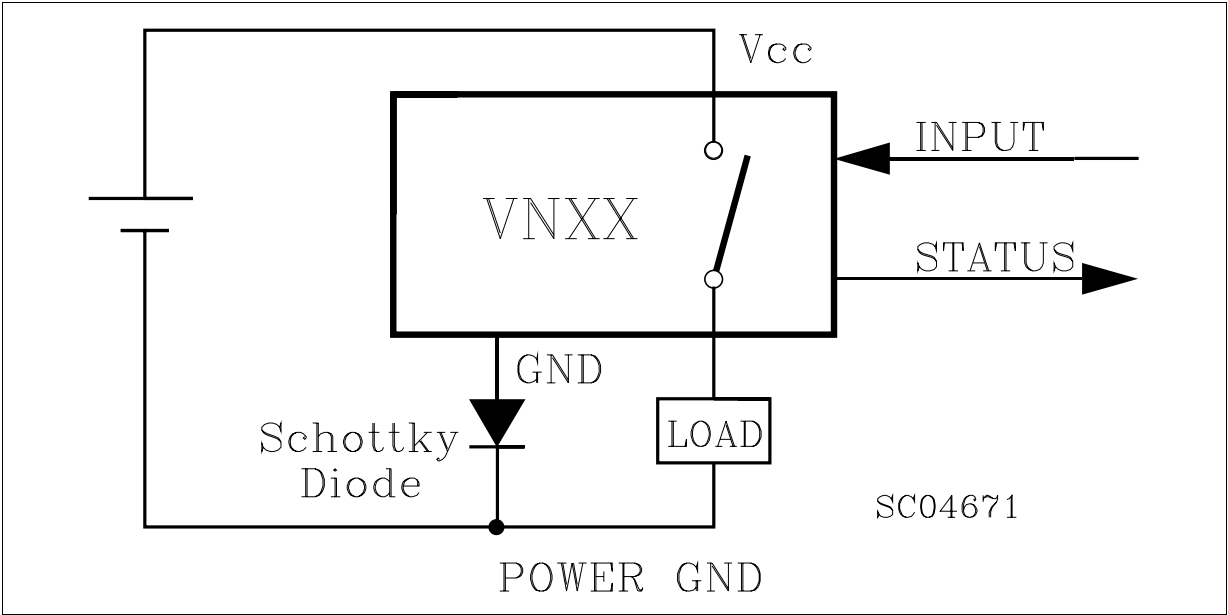
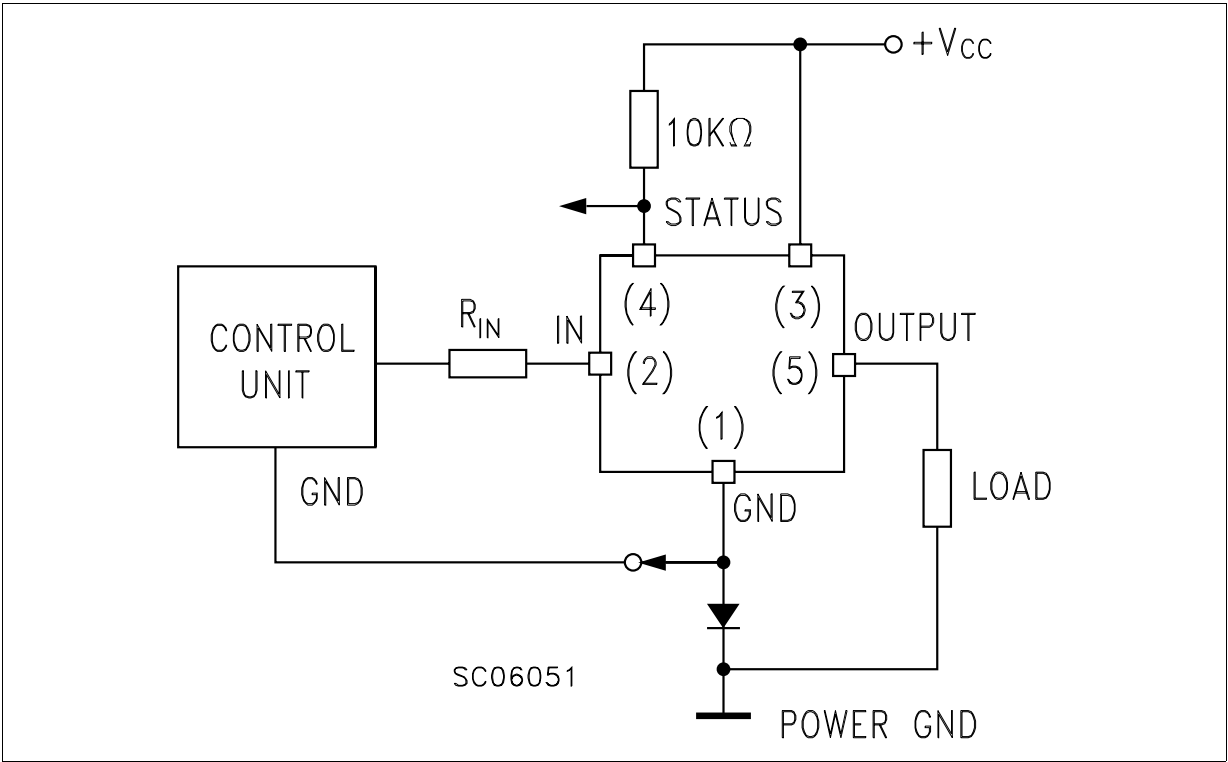
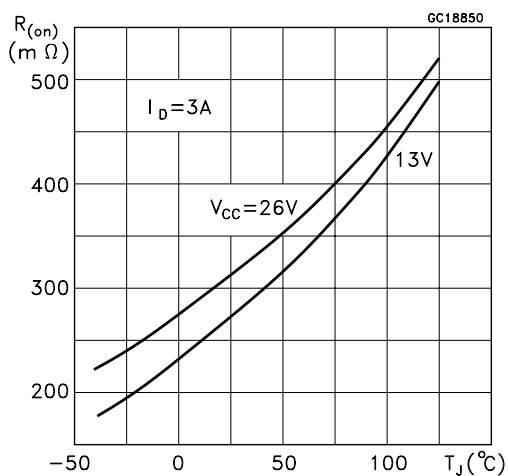


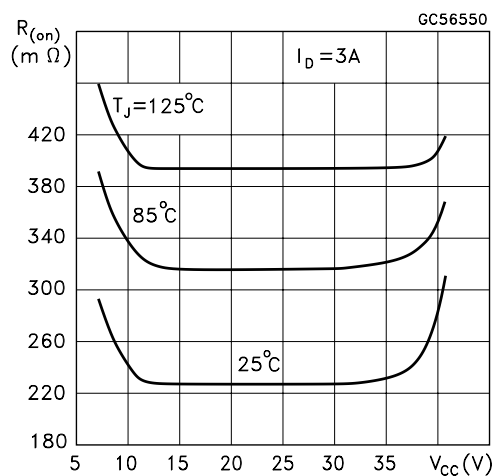
Figure 4: Typical Application Circuit With Separate Signal Ground



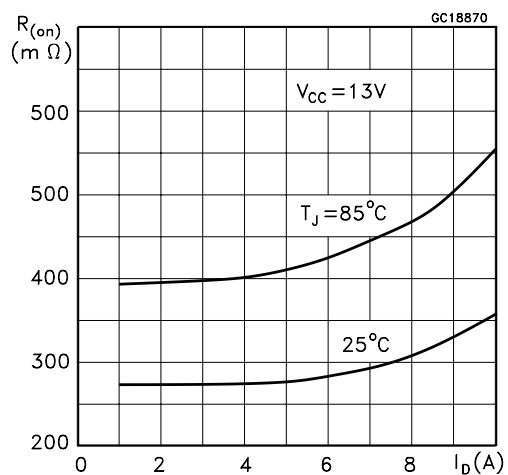
R<sub>DS(on)</sub> vs Junction Temperature



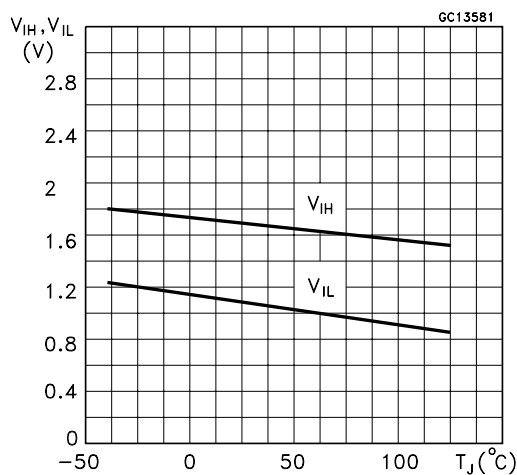
R<sub>DS(on)</sub> vs Supply Voltage



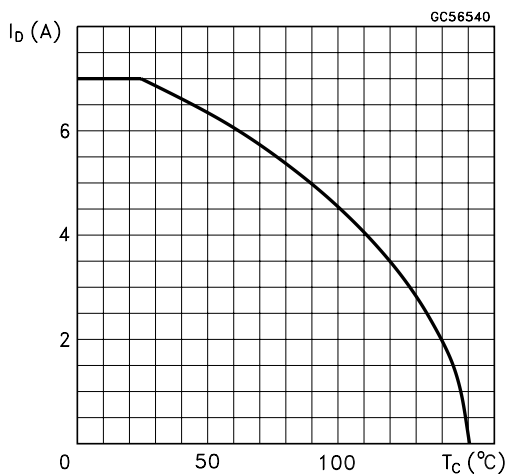
R<sub>DS(on)</sub> vs Output Current



Input Voltages vs Junction Temperature

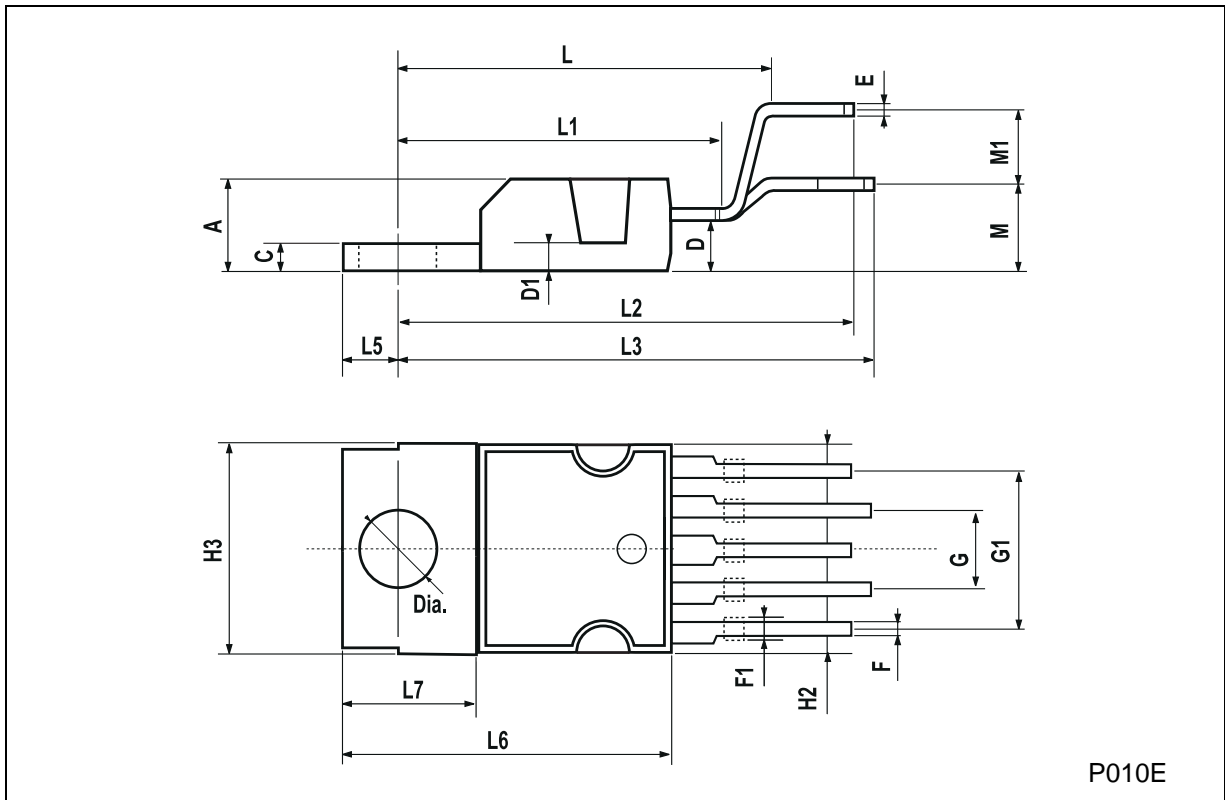


Output Current Derating



**PENTAWATT (VERTICAL) MECHANICAL DATA**

DIM.	mm			inch		
	MIN.	TYP.	MAX.	MIN.	TYP.	MAX.
A			4.8			0.189
C			1.37			0.054
D	2.4		2.8	0.094		0.110
D1	1.2		1.35	0.047		0.053
E	0.35		0.55	0.014		0.022
F	0.8		1.05	0.031		0.041
F1	1		1.4	0.039		0.055
G	3.2	3.4	3.6	0.126	0.134	0.142
G1	6.6	6.8	7	0.260	0.268	0.276
H2			10.4			0.409
H3	10.05		10.4	0.396		0.409
L		17.85			0.703	
L1		15.75			0.620	
L2		21.4			0.843	
L3		22.5			0.886	
L5	2.6		3	0.102		0.118
L6	15.1		15.8	0.594		0.622
L7	6		6.6	0.236		0.260
M		4.5			0.177	
M1		4			0.157	
Dia	3.65		3.85	0.144		0.152

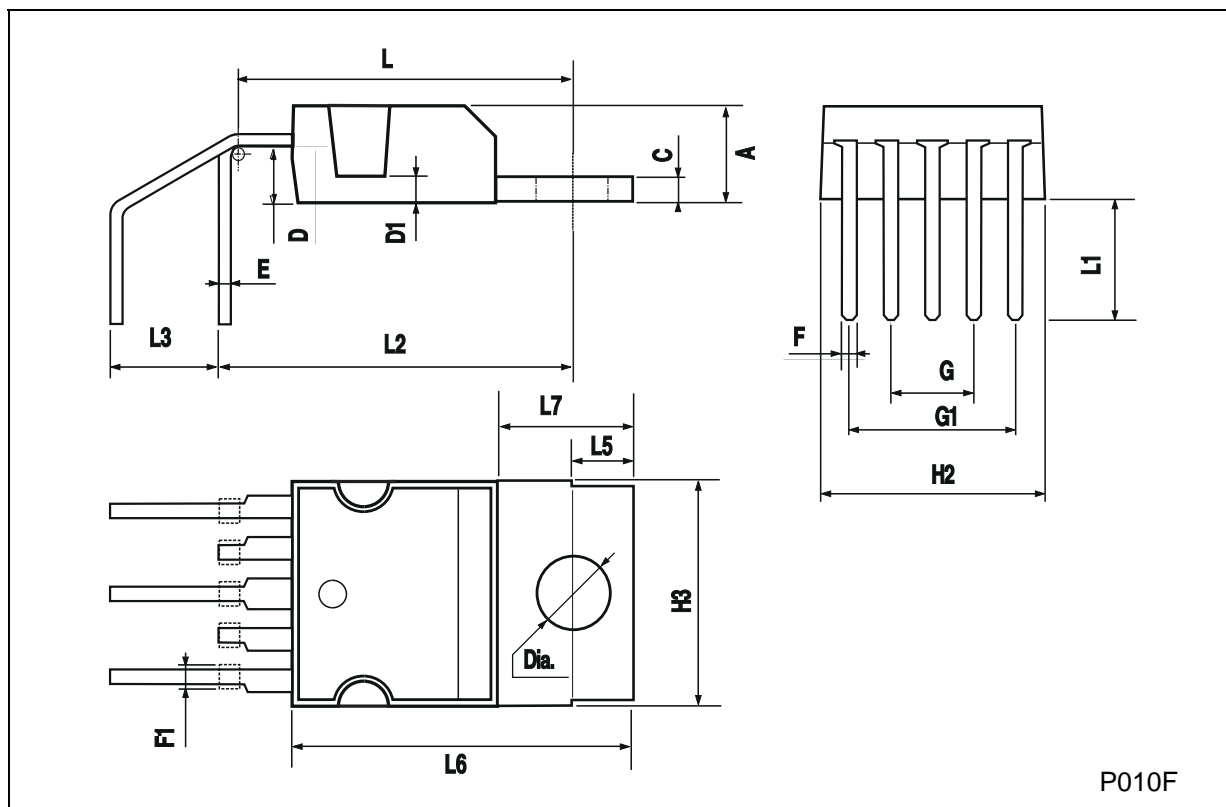


P010E



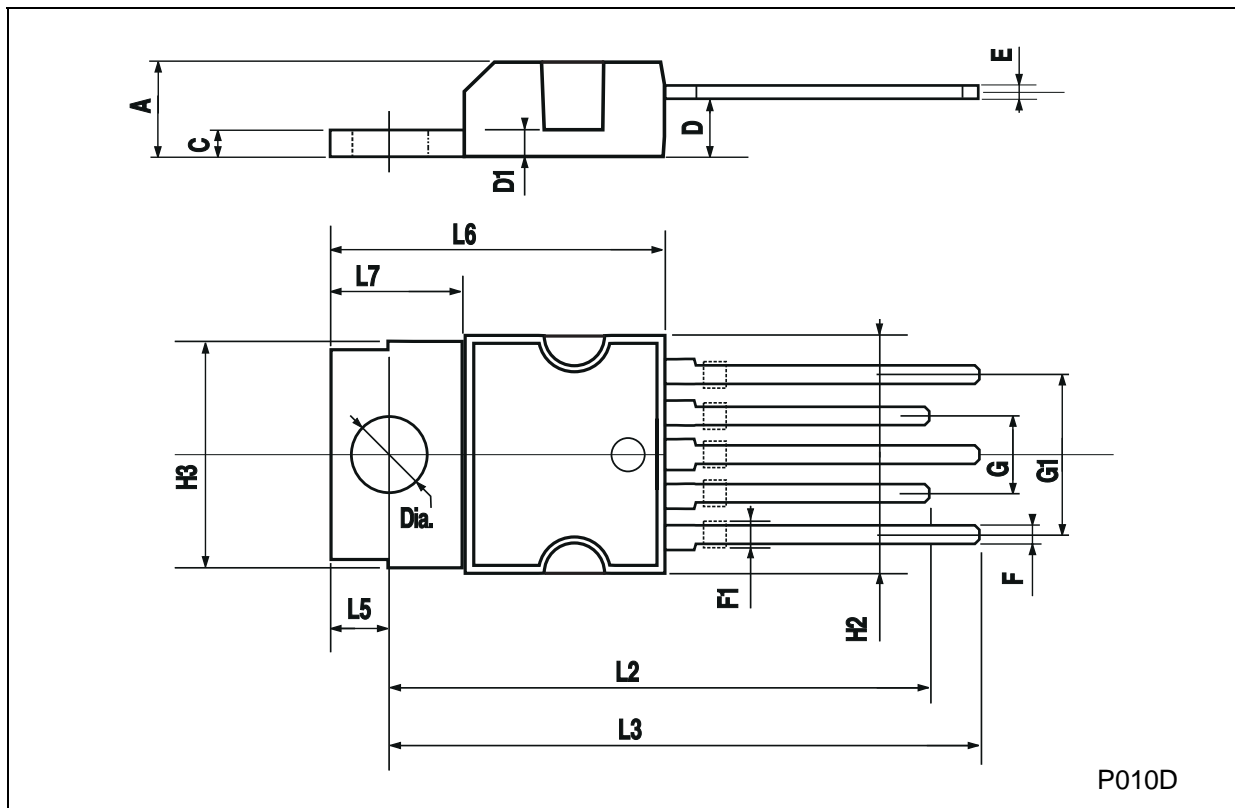
### PENTAWATT (HORIZONTAL) MECHANICAL DATA

DIM.	mm			inch		
	MIN.	TYP.	MAX.	MIN.	TYP.	MAX.
A			4.8			0.189
C			1.37			0.054
D	2.4		2.8	0.094		0.110
D1	1.2		1.35	0.047		0.053
E	0.35		0.55	0.014		0.022
F	0.8		1.05	0.031		0.041
F1	1		1.4	0.039		0.055
G	3.2	3.4	3.6	0.126	0.134	0.142
G1	6.6	6.8	7	0.260	0.268	0.276
H2			10.4			0.409
H3	10.05		10.4	0.396		0.409
L	14.2		15	0.559		0.590
L1	5.7		6.2			0.244
L2	14.6		15.2			0.598
L3	3.5		4.1	0.137		0.161
L5	2.6		3	0.102		0.118
L6	15.1		15.8	0.594		0.622
L7	6		6.6	0.236		0.260
Dia	3.65		3.85	0.144		0.152



**PENTAWATT (IN-LINE) MECHANICAL DATA**

DIM.	mm			inch		
	MIN	TYP	MAX	MIN	TYP	MAX
A			4.8			0.189
C			1.37			0.054
D	2.4		2.8	0.094		0.110
D1	1.2		1.35	0.047		0.053
E	0.35		0.55	0.014		0.022
F	0.8		1.05	0.031		0.041
F1	1		1.4	0.039		0.055
G	3.2	3.4	3.6	0.126	0.134	0.142
G1	6.6	6.8	7	0.260	0.268	0.276
H2			10.4			0.409
H3	10.05		10.4	0.396		0.409
L2	23.05	23.4	23.8	0.907	0.921	0.937
L3	25.3	25.65	26.1	0.996	1.010	1.028
L5	2.6		3	0.102		0.118
L6	15.1		15.8	0.594		0.622
L7	6		6.6	0.236		0.260
Diam.	3.65		3.85	0.144		0.152



P010D

Information furnished is believed to be accurate and reliable. However, STMicroelectronics assumes no responsibility for the consequences of use of such information nor for any infringement of patents or other rights of third parties which may result from its use. No license is granted by implication or otherwise under any patent or patent rights of STMicroelectronics. Specification mentioned in this publication are subject to change without notice. This publication supersedes and replaces all information previously supplied. STMicroelectronics products are not authorized for use as critical components in life support devices or systems without express written approval of STMicroelectronics.

The ST logo is a trademark of STMicroelectronics

© 1998 STMicroelectronics – Printed in Italy – All Rights Reserved  
STMicroelectronics GROUP OF COMPANIES

Australia - Brazil - Canada - China - France - Germany - Italy - Japan - Korea - Malaysia - Malta - Mexico - Morocco - The Netherlands -  
Singapore - Spain - Sweden - Switzerland - Taiwan - Thailand - United Kingdom - U.S.A.