



ISO HIGH SIDE SMART POWER SOLID STATE RELAY

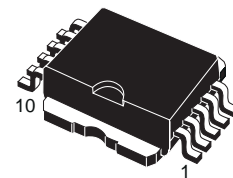
| TYPE | V _{DSS} | R _{DS(on)} | I _{OUT} | V _{CC} |
|----------|------------------|---------------------|------------------|-----------------|
| VND05BSP | 40 V | 0.2 Ω | 1.6 A | 26 V |

- OUTPUT CURRENT (CONTINUOUS):
9A @ T_c = 85°C PER CHANNEL
- 5V LOGIC LEVEL COMPATIBLE INPUT
- THERMAL SHUT-DOWN
- UNDER VOLTAGE PROTECTION
- OPEN DRAIN DIAGNOSTIC OUTPUT
- INDUCTIVE LOAD FAST
DEMAGNETIZATION
- VERY LOW STAND-BY POWER
DISSIPATION

DESCRIPTION

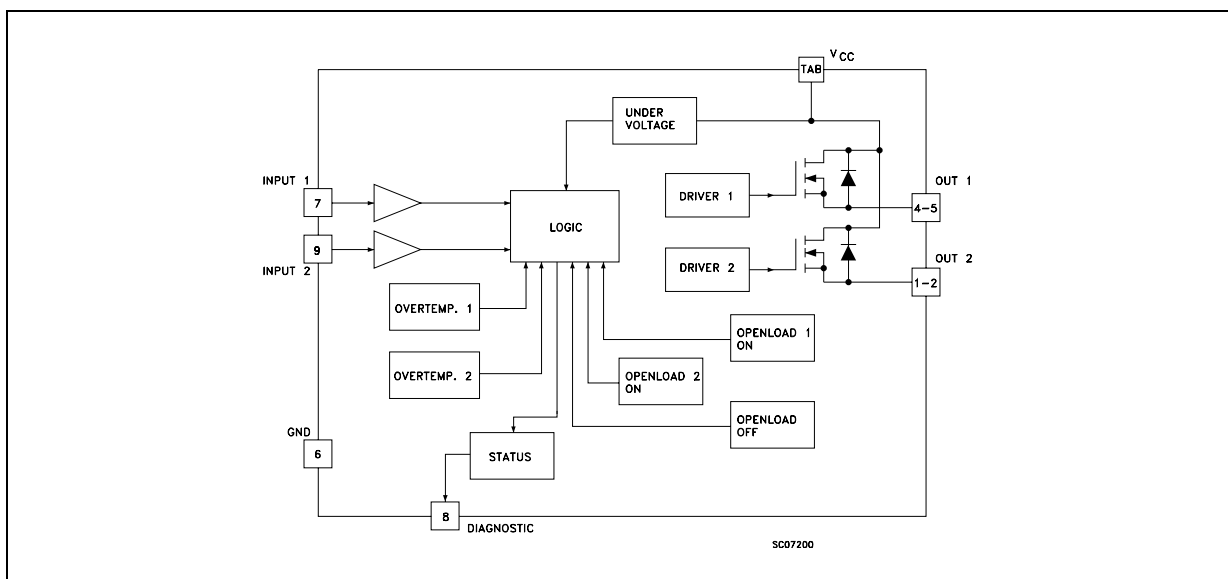
The VND05BSP is a monolithic device made using STMicroelectronics VIPower Technology, intended for driving resistive or inductive loads with one side grounded. This device has two channels, and a common diagnostic. Built-in thermal shut-down protects the chip from over temperature and short circuit.

The status output provides an indication of open load in on state, open load in off state, overtemperature conditions and stuck-on to V_{CC}.



PowerSO-10

BLOCK DIAGRAM

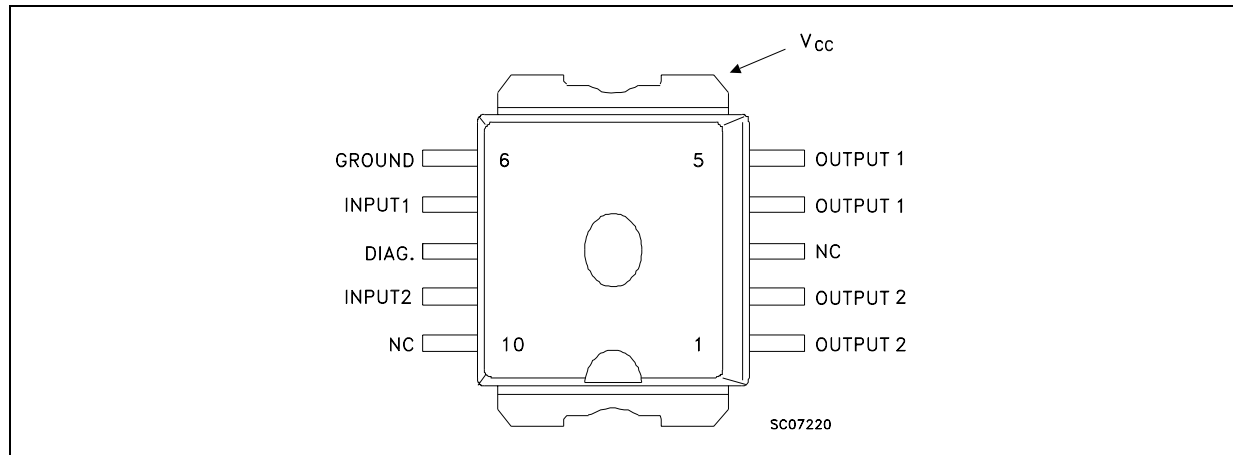


VND05BSP

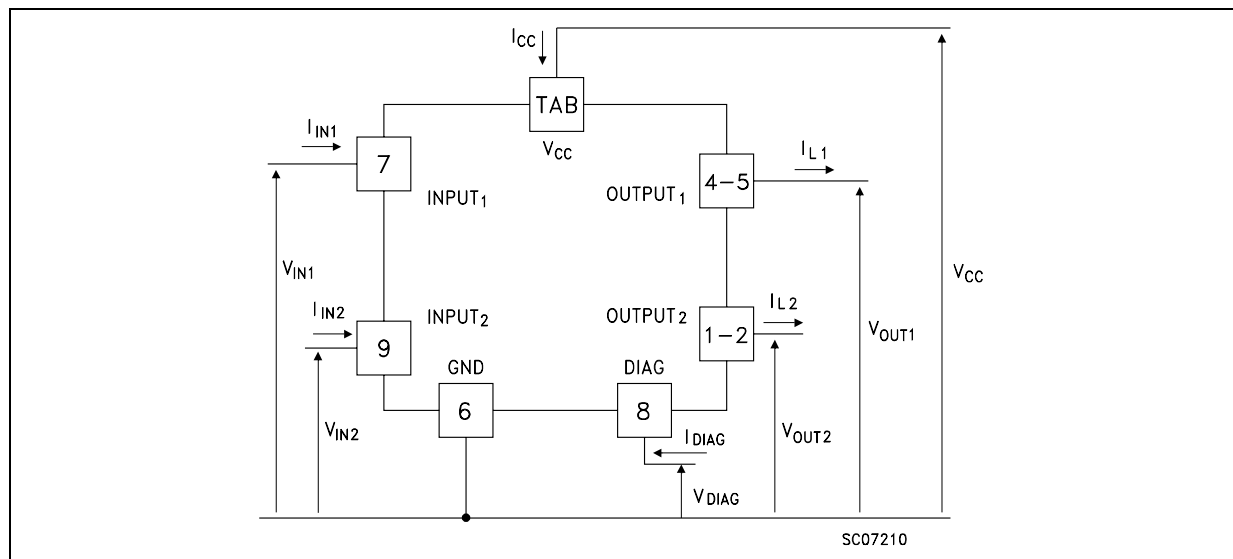
ABSOLUTE MAXIMUM RATING

| Symbol | Parameter | Value | Unit |
|----------------|--|------------|------------------|
| $V_{(BR)DSS}$ | Drain-Source Breakdown Voltage | 40 | V |
| I_{OUT} | Output Current (cont.) at $T_c = 85\text{ }^\circ\text{C}$ | 9 | A |
| $I_{OUT(RMS)}$ | RMS Output Current at $T_c = 85\text{ }^\circ\text{C}$ and $f > 1\text{ Hz}$ | 9 | A |
| I_R | Reverse Output Current at $T_c = 85\text{ }^\circ\text{C}$ | -9 | A |
| I_{IN} | Input Current | ± 10 | mA |
| $-V_{CC}$ | Reverse Supply Voltage | -4 | V |
| I_{STAT} | Status Current | ± 10 | mA |
| V_{ESD} | Electrostatic Discharge (1.5 k Ω , 100 pF) | 2000 | V |
| P_{tot} | Power Dissipation at $T_c = 25\text{ }^\circ\text{C}$ | 59 | W |
| T_j | Junction Operating Temperature | -40 to 150 | $^\circ\text{C}$ |
| T_{stg} | Storage Temperature | -55 to 150 | $^\circ\text{C}$ |

CONNECTION DIAGRAMS



CURRENT AND VOLTAGE CONVENTIONS



THERMAL DATA

| | | | | |
|----------------|--|-----|-----|-----------------------------|
| $R_{thj-case}$ | Thermal Resistance Junction-case | Max | 2.1 | $^{\circ}\text{C}/\text{W}$ |
| $R_{thj-amb}$ | Thermal Resistance Junction-ambient (\$) | Max | 50 | $^{\circ}\text{C}/\text{W}$ |

(\$) When mounted using minimum recommended pad size on FR-4 board

ELECTRICAL CHARACTERISTICS ($8 < V_{CC} < 16 \text{ V}$; $-40 \leq T_j \leq 125 \text{ }^{\circ}\text{C}$ unless otherwise specified)

POWER

| Symbol | Parameter | Test Conditions | Min. | Typ. | Max. | Unit |
|---------------|----------------------------------|---|------|------|------|------------------|
| V_{CC} | Supply Voltage | | 6 | 13 | 26 | V |
| I_n (*) | Nominal Current | $T_c = 85 \text{ }^{\circ}\text{C}$ $V_{DS(on)} \leq 0.5$ $V_{CC} = 13 \text{ V}$ | 1.6 | | 2.6 | A |
| R_{on} | On State Resistance | $I_{OUT} = I_n$ $V_{CC} = 13 \text{ V}$ $T_j = 25 \text{ }^{\circ}\text{C}$ | 0.13 | | 0.2 | Ω |
| I_s | Supply Current | Off State $T_j = 25 \text{ }^{\circ}\text{C}$ $V_{CC} = 13 \text{ V}$ | | 35 | 100 | μA |
| $V_{DS(MAX)}$ | Maximum Voltage Drop | $I_{OUT} = 7.5 \text{ A}$ $T_j = 85 \text{ }^{\circ}\text{C}$ $V_{CC} = 13 \text{ V}$ | 1.44 | | 2.3 | V |
| R_i | Output to GND internal Impedance | $T_j = 25 \text{ }^{\circ}\text{C}$ | 5 | 10 | 20 | $\text{K}\Omega$ |

SWITCHING

| Symbol | Parameter | Test Conditions | Min. | Typ. | Max. | Unit |
|------------------|---------------------------------------|---------------------------------|-------|------|------|------------------------|
| $t_{d(on)}$ (^) | Turn-on Delay Time Of Output Current | $R_{out} = 5.4 \text{ } \Omega$ | 5 | 25 | 200 | μs |
| t_r (^) | Rise Time Of Output Current | $R_{out} = 5.4 \text{ } \Omega$ | 10 | 50 | 180 | μs |
| $t_{d(off)}$ (^) | Turn-off Delay Time Of Output Current | $R_{out} = 5.4 \text{ } \Omega$ | 10 | 75 | 250 | μs |
| t_f (^) | Fall Time Of Output Current | $R_{out} = 5.4 \text{ } \Omega$ | 10 | 35 | 180 | μs |
| $(di/dt)_{on}$ | Turn-on Current Slope | $R_{out} = 5.4 \text{ } \Omega$ | 0.003 | | 0.1 | $\text{A}/\mu\text{s}$ |
| $(di/dt)_{off}$ | Turn-off Current Slope | $R_{out} = 5.4 \text{ } \Omega$ | 0.005 | | 0.1 | $\text{A}/\mu\text{s}$ |

LOGIC INPUT

| Symbol | Parameter | Test Conditions | Min. | Typ. | Max. | Unit |
|----------------|--------------------------|--|------|-----------|------|---------------|
| V_{IL} | Input Low Level Voltage | | | | 1.5 | V |
| V_{IH} | Input High Level Voltage | | 3.5 | | (*) | V |
| $V_{I(hyst.)}$ | Input Hysteresis Voltage | | 0.2 | 0.9 | 1.5 | V |
| I_{IN} | Input Current | $V_{IN} = 5 \text{ V}$ $T_j = 25 \text{ }^{\circ}\text{C}$ | | 30 | 100 | μA |
| V_{ICL} | Input Clamp Voltage | $I_{IN} = 10 \text{ mA}$ $I_{IN} = -10 \text{ mA}$ | 5 | 6 -0.7 | 7 | V V |

ELECTRICAL CHARACTERISTICS (continued)
PROTECTION AND DIAGNOSTICS

| Symbol | Parameter | Test Conditions | Min. | Typ. | Max. | Unit |
|------------------------|-------------------------------|---|------|-----------|------|--------|
| V _{STAT} | Status Voltage Output Low | I _{STAT} = 1.6 mA | | | 0.4 | V |
| V _{USD} | Under Voltage Shut Down | | 3.5 | 4.5 | 6 | V |
| V _{SCL} | Status Clamp Voltage | I _{STAT} = 10 mA I _{STAT} = -10 mA | 5 | 6 -0.7 | 7 | V V |
| T _{TSD} | Thermal Shut-down Temperature | | 140 | 160 | 180 | °C |
| T _{SD(hyst.)} | Thermal Shut-down Hysteresis | | | | 50 | °C |
| T _R | Reset Temperature | | 125 | | | °C |
| V _{OL} | Open Voltage Level | Off-State (note 2) | 2.5 | 4 | 5 | V |
| I _{OL} | Open Load Current Level | On-State | 5 | | 180 | mA |
| t _{povl} | Status Delay | (note 3) | | 5 | 10 | µs |
| t _{pol} | Status Delay | (note 3) | 50 | 500 | 2500 | µs |

(*) I_n= Nominal current according to ISO definition for high side automotive switch (see note 1)

NOTE = (∧) See switching time waveform

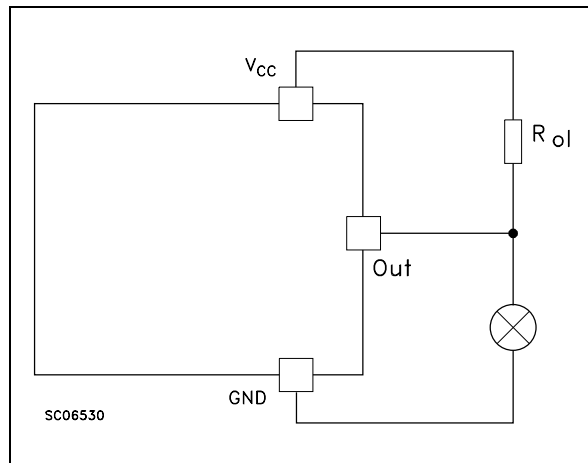
NOTE = (●) The V_{IH} is internally clamped at 6V about. It is possible to connect this pin to an higher voltage via an external resistor calculated to not exceed 10 mA at the input pin.

NOTE = note 1: The Nominal Current is the current at T_c = 85 °C for battery voltage of 13V which produces a voltage drop of 0.5 V

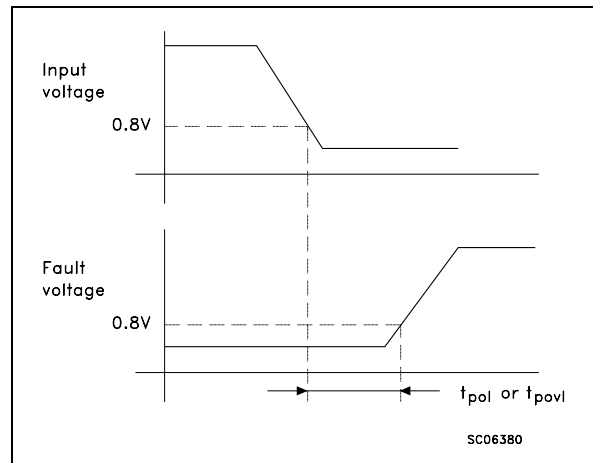
NOTE = note 2: I_{OL(off)} = (V_{CC} - V_{OL})/R_{OL}

note 3: t_{povl} t_{pol}: ISO definition.

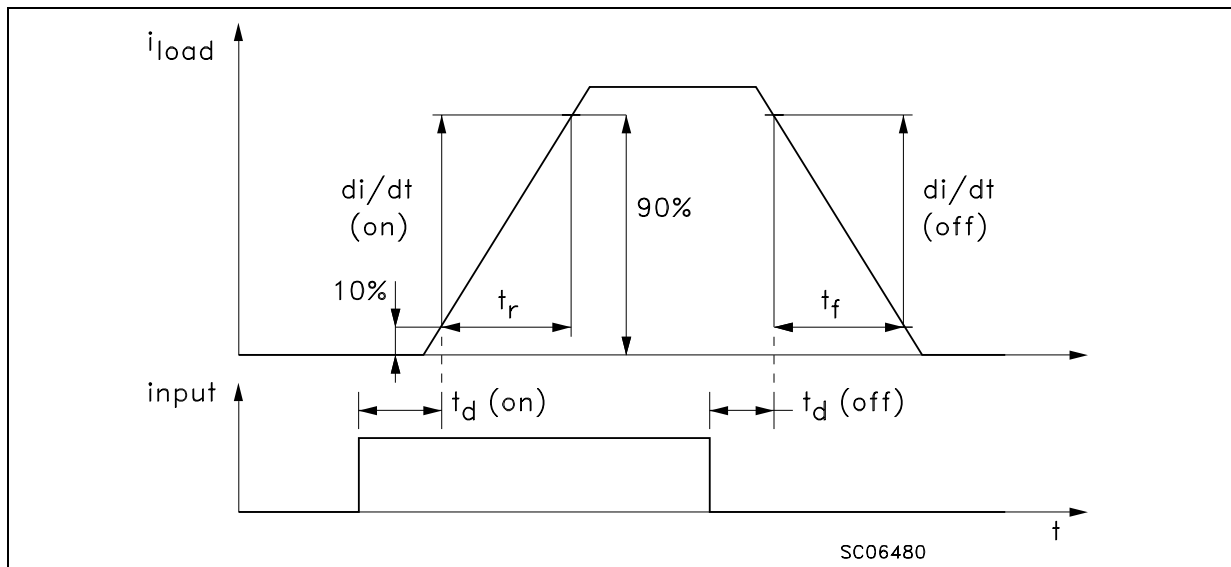
Note 2 Relevant Figure



Note 3 Relevant Figure



Switching Time Waveforms

**FUNCTIONAL DESCRIPTION**

The device has a diagnostic output which indicates open load in on-state, open load in off-state, over temperature conditions and stuck-on to V_{CC} .

From the falling edge of the input signal, the status output, initially low to signal a fault condition (overtemperature or open load on-state), will go back to a high state with a different delay in case of overtemperature (t_{povl}) and in case of open load (t_{pol}) respectively. This feature allows to discriminate the nature of the detected fault. To protect the device against short circuit and over current condition, the thermal protection turns the integrated Power MOS off at a minimum junction temperature of $140\text{ }^{\circ}\text{C}$. When this temperature returns to $125\text{ }^{\circ}\text{C}$ the switch is automatically turned on again. In short circuit the protection reacts with virtually no delay, the sensor being located inside the Power MOS area. An internal function of the devices ensures the fast demagnetization of inductive loads with a typical voltage (V_{demag}) of -18V . This function allows to greatly reduce the power dissipation according to the formula:

$$P_{dem} = 0.5 \cdot L_{load} \cdot (I_{load})^2 \cdot [(V_{CC} + V_{demag}) / V_{demag}] \cdot f$$

where f = switching frequency and V_{demag} = demagnetization voltage.

The maximum inductance which causes the chip

temperature to reach the shut-down temperature in a specified thermal environment is a function of the load current for a fixed V_{CC} , V_{demag} and f according to the above formula. In this device if the GND pin is disconnected, with V_{CC} not exceeding 16V , it will switch off.

PROTECTING THE DEVICE AGAINST REVERSE BATTERY

The simplest way to protect the device against a continuous reverse battery voltage (-26V) is to insert a Schottky diode between pin 1 (GND) and ground, as shown in the typical application circuit (fig.3).

The consequences of the voltage drop across this diode are as follows:

If the input is pulled to power GND, a negative voltage of $-V_f$ is seen by the device. (V_{il} , V_{ih} thresholds and V_{stat} are increased by V_f with respect to power GND).

The undervoltage shutdown level is increased by V_f .

If there is no need for the control unit to handle external analog signals referred to the power GND, the best approach is to connect the reference potential of the control unit to node [1] (see application circuit in fig. 3), which becomes the common signal GND for the whole control board avoiding shift of V_{ih} , V_{il} and V_{stat} . This solution allows the use of a standard diode.

TRUTH TABLE

| | | INPUT 1 | INPUT 2 | OUTPUT 1 | OUTPUT 2 | DIAGNOSTIC |
|-----------------------------------|-----------|---------|---------|----------|----------|------------|
| Normal Operation | | L | L | L | L | H |
| | | H | H | H | H | H |
| | | L | H | L | H | H |
| | | H | L | H | L | H |
| Under-voltage | | X | X | L | L | H |
| Thermal Shutdown | Channel 1 | H | X | L | X | L |
| | Channel 2 | X | H | X | L | L |
| Open Load | Channel 1 | H | X | H | X | L |
| | | L | L | L | L | L(**) |
| | Channel 2 | X | H | X | H | L |
| | | L | L | L | L | L(**) |
| Output Shorted to V _{CC} | Channel 1 | H | X | H | X | L |
| | | L | L | H | L | L |
| | Channel 2 | X | H | X | H | L |
| | | L | L | L | H | L |

(**) with additional external resistor.

Figure 1: Waveforms

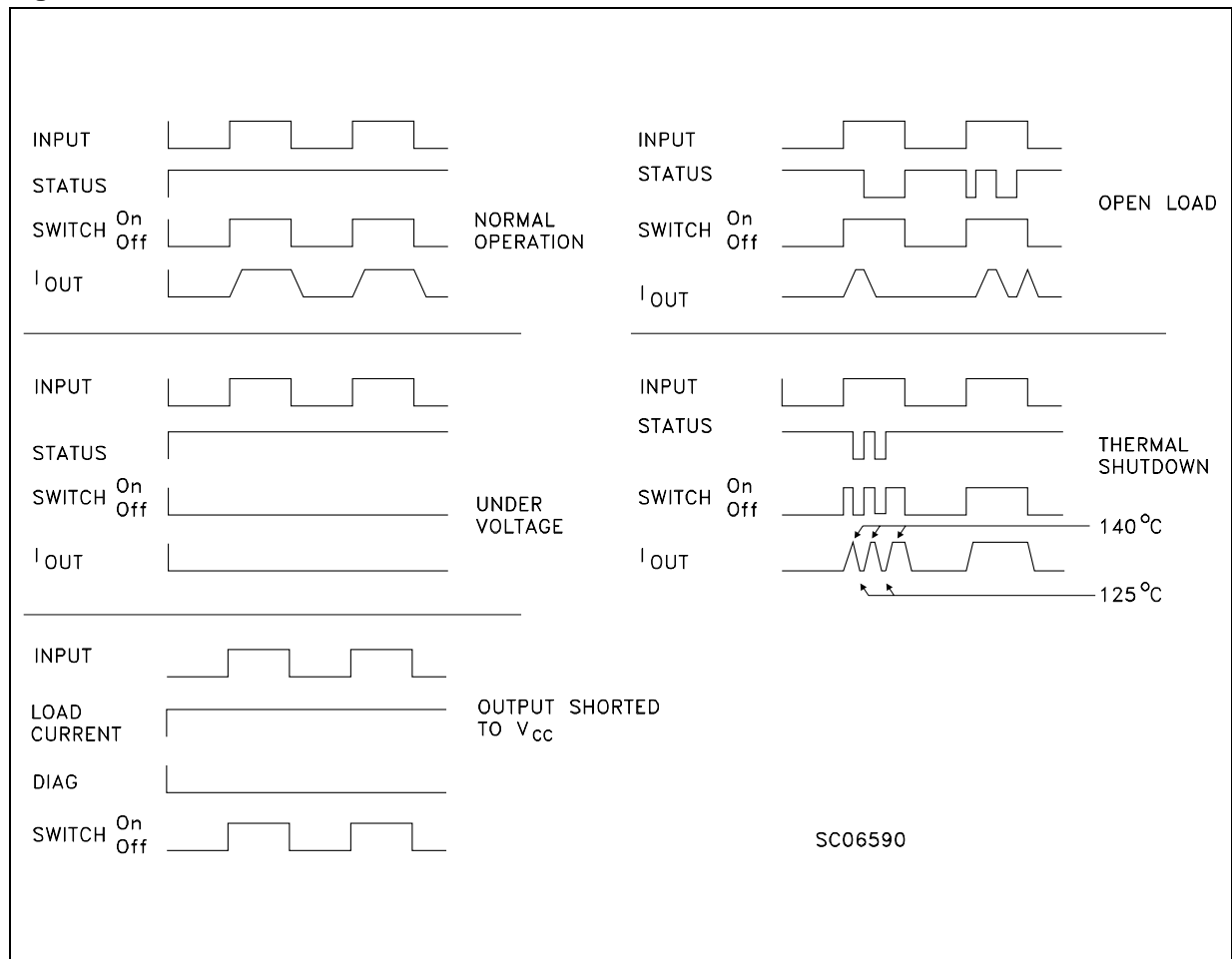


Figure 2: Typical Application Circuit With A Schottky Diode For Reverse Supply Protection

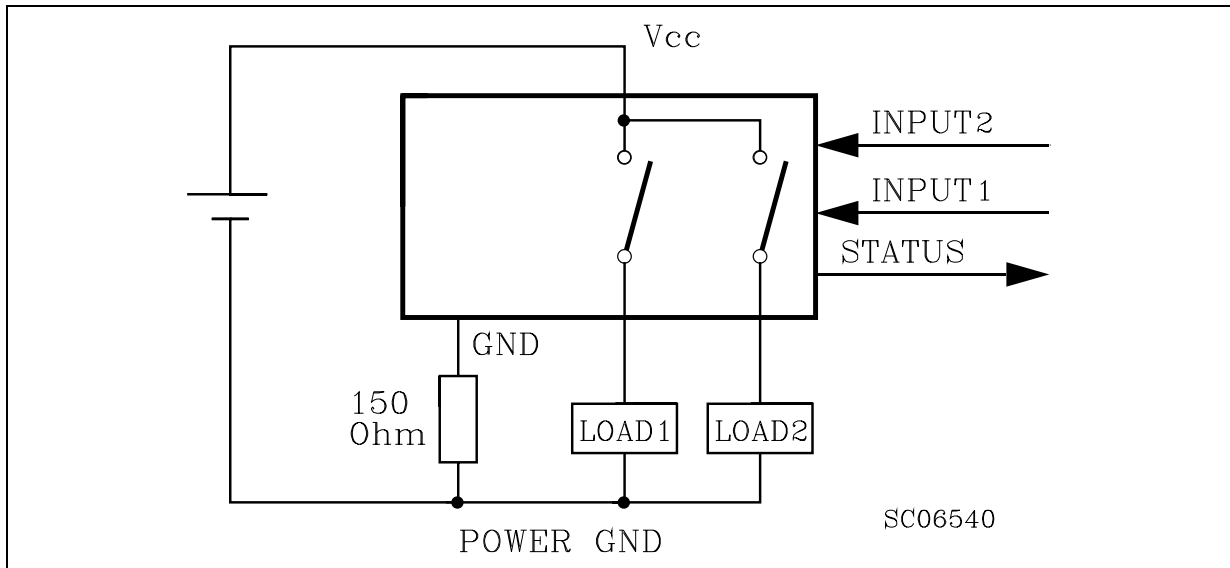
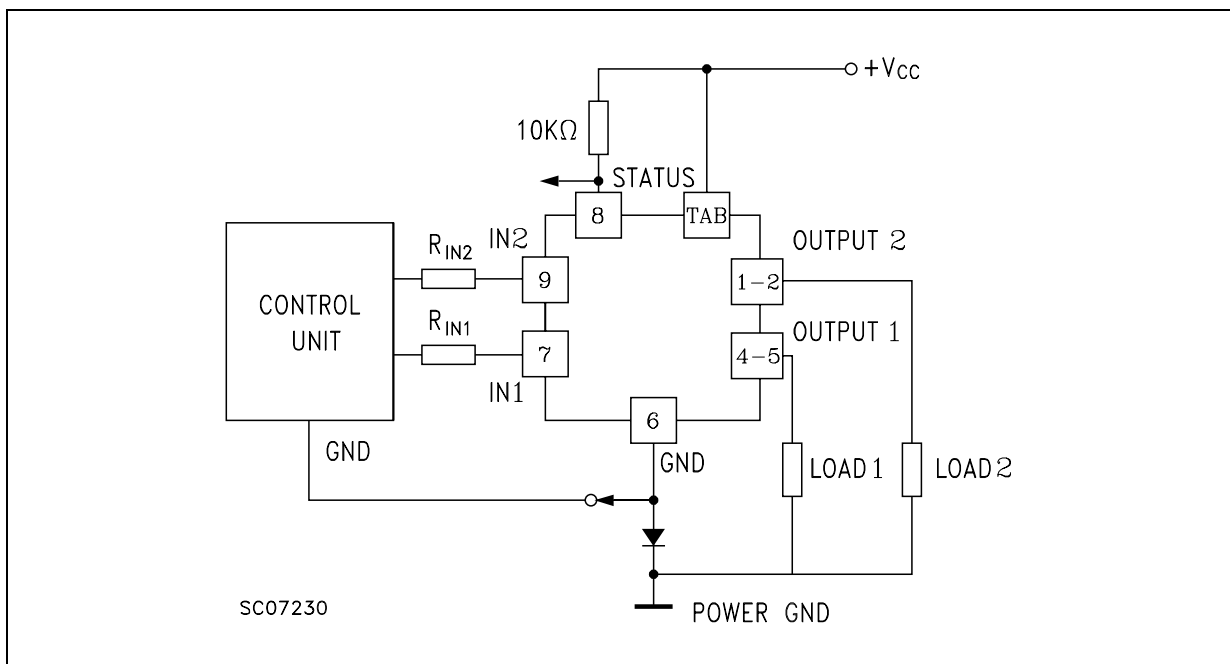


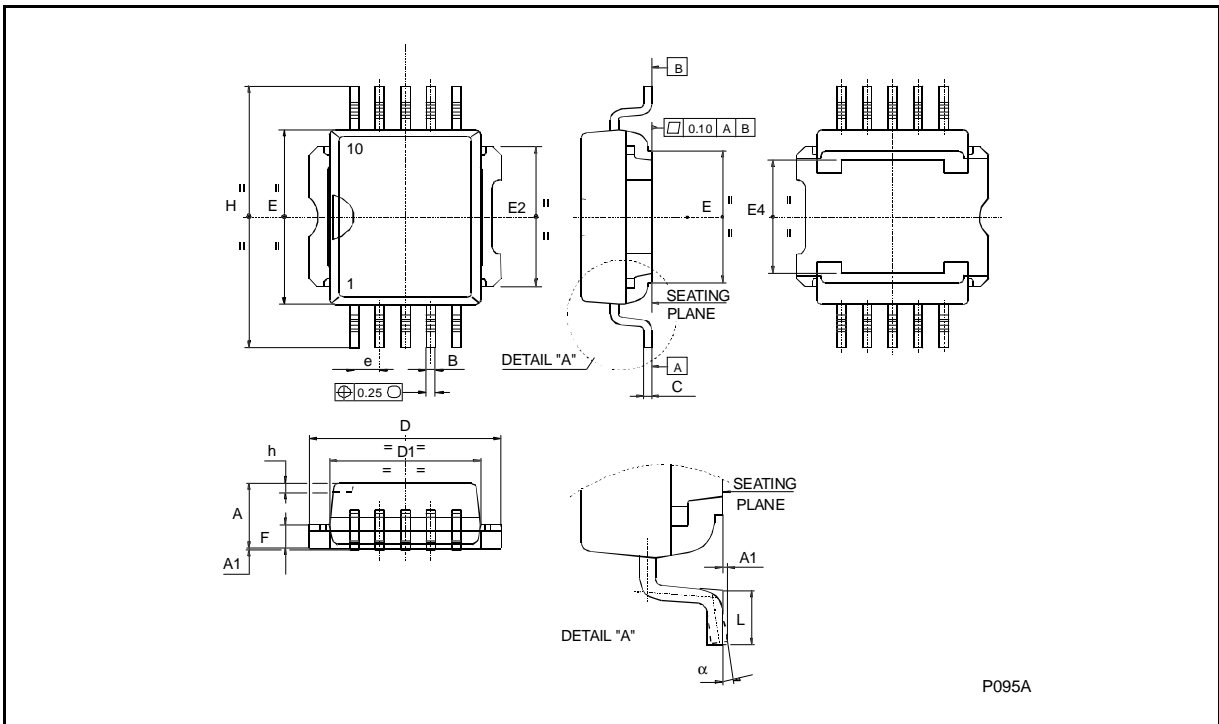
Figure 3: Typical Application Circuit With Separate Signal Ground



PowerSO-10™ MECHANICAL DATA

| DIM. | mm. | | | inch | | |
|--------|-------|------|-------|-------|-------|--------|
| | MIN. | TYP | MAX. | MIN. | TYP. | MAX. |
| A | 3.35 | | 3.65 | 0.132 | | 0.144 |
| A (*) | 3.4 | | 3.6 | 0.134 | | 0.142 |
| A1 | 0.00 | | 0.10 | 0.000 | | 0.004 |
| B | 0.40 | | 0.60 | 0.016 | | 0.024 |
| B (*) | 0.37 | | 0.53 | 0.014 | | 0.021 |
| C | 0.35 | | 0.55 | 0.013 | | 0.022 |
| C (*) | 0.23 | | 0.32 | 0.009 | | 0.0126 |
| D | 9.40 | | 9.60 | 0.370 | | 0.378 |
| D1 | 7.40 | | 7.60 | 0.291 | | 0.300 |
| E | 9.30 | | 9.50 | 0.366 | | 0.374 |
| E2 | 7.20 | | 7.60 | 0.283 | | 300 |
| E2 (*) | 7.30 | | 7.50 | 0.287 | | 0.295 |
| E4 | 5.90 | | 6.10 | 0.232 | | 0.240 |
| E4 (*) | 5.90 | | 6.30 | 0.232 | | 0.248 |
| e | | 1.27 | | | 0.050 | |
| F | 1.25 | | 1.35 | 0.049 | | 0.053 |
| F (*) | 1.20 | | 1.40 | 0.047 | | 0.055 |
| H | 13.80 | | 14.40 | 0.543 | | 0.567 |
| H (*) | 13.85 | | 14.35 | 0.545 | | 0.565 |
| h | | 0.50 | | | 0.002 | |
| L | 1.20 | | 1.80 | 0.047 | | 0.070 |
| L (*) | 0.80 | | 1.10 | 0.031 | | 0.043 |
| α | 0° | | 8° | 0° | | 8° |
| α (*) | 2° | | 8° | 2° | | 8° |

(*) Muar only POA P013P



Information furnished is believed to be accurate and reliable. However, STMicroelectronics assumes no responsibility for the consequences of use of such information nor for any infringement of patents or other rights of third parties which may result from its use. No license is granted by implication or otherwise under any patent or patent rights of STMicroelectronics. Specification mentioned in this publication are subject to change without notice. This publication supersedes and replaces all information previously supplied. STMicroelectronics products are not authorized for use as critical components in life support devices or systems without express written approval of STMicroelectronics.

The ST logo is a trademark of STMicroelectronics

© 2000 STMicroelectronics – Printed in Italy – All Rights Reserved

STMicroelectronics GROUP OF COMPANIES

Australia - Brazil - China - Finland - France - Germany - Hong Kong - India - Italy - Japan - Malaysia - Malta - Morocco - Singapore - Spain - Sweden - Switzerland - United Kingdom - U.S.A.

<http://www.st.com>