

SUNON

SPECIFICATION FOR APPROVAL

MODEL NO : SA000-12004
DESCRIPTION : Thermal Module
DIMENSIONS : ϕ 85X75 mm
SUNON SPEC. NO. : C01000730F-01
CUSTOMER :
APPROVAL NO. :
APPROVED BY :
CUSTOMER :
(AUTHORIZED)

DRAWN Qian 2/18	CHECKED Amy	APPROVED Eric	SPEC. NO	C01000730F-01
			ISSUED DATE	02. 18. 2012
			EDITION	0
			REVISION DATE	

建準電機工業股份有限公司

SUNONWEALTH ELECTRIC MACHINE INDUSTRY CO., LTD.

NO. 30, LN. 296, XINYA RD., QIANZHEN DIST.,

TEL:886-7-8135888

KAOHSIUNG CITY 80673, TAIWAN (R.O.C)

FAX:886-7-8230505/8230606/8231010

URL:<http://www.sunon.com>

E-mail: sunon@email.sunon.com.tw

SPECIFICATION FOR APPROVAL

CHECK LIST

1. SPECIFICATIONS ----- Page 2
2. DIMENSION ----- Page 3
3. CPK TEST ----- Page 4~5
4. NOTES ----- Page 6
5. Declaration of RoHS -----Page 7

SUNONWEALTH ELECTRIC
MACHINE INDUSTRY CO., LTD.
建準電機工業股份有限公司

PAGE	1 OF 7
SPEC. NO.	C01000730F-01
ISSUED DATE	02. 18. 2012
EDITION	0
REVISION DATE	

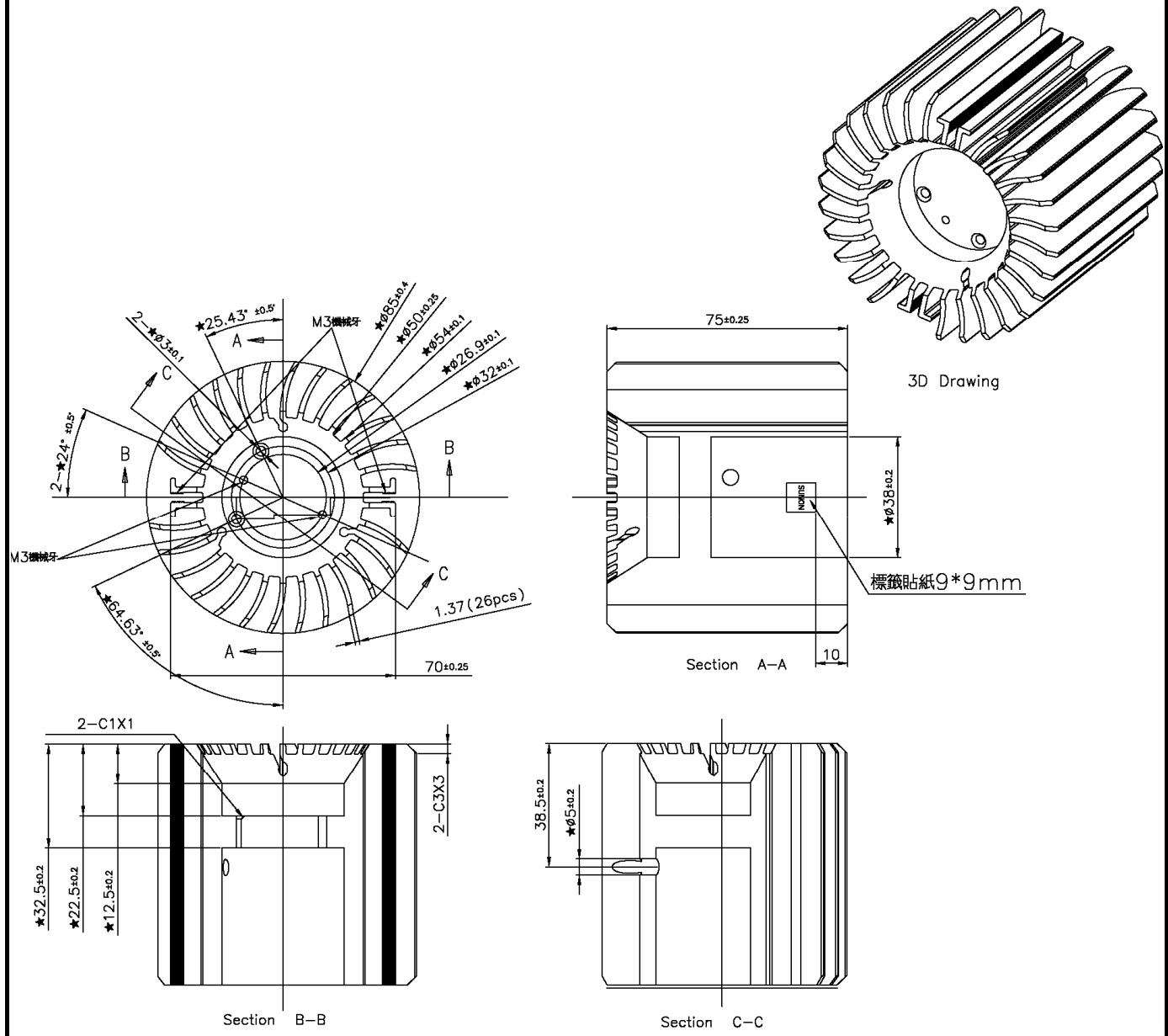


MODEL : SA000-12004**1.SPECIFICATIONS**

1. Application	Cpu Chipset 10W	
2. Heat Sink Dimension	∅ 85X75 HF	
3. Heat Sink Material	AL6063(陽極黑色)	
4. Cooling Method	N/A	
5. Thermal Grease / PAD	N/A	
6. Fan Dimension	N/A	
7. Fan Speed (with Heat Sink)	N/A	
8. Fan Airflow (with Heat Sink)	N/A	
9. Fan Rating Voltage	N/A	
10. Fan Rating Current (with Heat Sink)	N/A	
11. Fan Power Consumption (with Heat Sink)	N/A	
12. Fan Bearing Type	N/A	
13. Fan Connector	N/A	
14. Cooling Module Noise	N/A	
15. Fan Operating Voltage Range	N/A	
16. Operating Temperature	-10 to + 70 deg. C	
17. Storage Temperature	-40 to + 70 deg. C	
18. Weight	342 g	
19. Life Expectance	N/A	
SUNONWEALTH ELECTRIC MACHINE INDUSTRY CO., LTD. 建準電機工業股份有限公司	PAGE	2 OF 7
	SPEC. NO.	C01000730F-01
	ISSUED DATE	02. 18. 2012
	EDITION	0
	REVISION DATE	



2.DIMENSION



SUNONWEALTH ELECTRIC
MACHINE INDUSTRY CO., LTD.

建準電機工業股份有限公司

PAGE	3 OF 7
SPEC. NO.	C01000730F-01
ISSUED DATE	02. 18. 2012
EDITION	0
REVISION DATE	



3. CPK TEST

1. CPK TEST

機種名：SA000-12004(Seeger KK8575A)

試產日期：2012/2/16

No	1	2
(項目)	總高度	內徑
規格中心值	75.000	38.000
規格上限	75.250	38.200
規格下限	74.750	37.800
UNIT (單位)	mm	mm
ave	75.144	38.056
max	75.226	38.156
min	75.109	38.028
1	75.226	38.038
2	75.148	38.048
3	75.153	38.053
4	75.136	38.036
5	75.146	38.054
6	75.156	38.056
7	75.135	38.035
8	75.135	38.065
9	75.147	38.047
10	75.137	38.057
11	75.126	38.036
12	75.146	38.156
13	75.128	38.046
14	75.156	38.056
15	75.126	38.046
16	75.201	38.101
17	75.153	38.053
18	75.135	38.035
19	75.135	38.125
20	75.158	38.058
21	75.138	38.038
22	75.125	38.059
23	75.135	38.035
24	75.126	38.126
25	75.125	38.045
26	75.136	38.046
27	75.129	38.029
28	75.109	38.029
29	75.119	38.039
30	75.152	38.052
31	75.209	38.109
32	75.156	38.056
33	75.145	38.045
34	75.118	38.028
35	75.129	38.038

SUNONWEALTH ELECTRIC
MACHINE INDUSTRY CO., LTD.

建華電機工業股份有限公司

PAGE

4 OF 7

SPEC. NO.

C01000730F-01

ISSUED DATE

02. 18. 2012

EDITION

0

REVISION DATE



3. CPK TEST

品質總合確認書DATA SHEET

機種名：SA000-12004(Seeger KK8575A)

NO	項目	規格	平均值 avg	標準偏 差 σ	最大 值max	最小 值 min	試料數	工程能力		備考
								cp	cpk	
1	總高度	74.750~75.250mm	75.144	0.025	75.226	75.109	35	3.383	1.437	
2	內徑	37.800~38.200mm	38.056	0.030	38.156	38.028	35	2.210	1.587	

SUNONWEALTH ELECTRIC
MACHINE INDUSTRY CO., LTD.

建準電機工業股份有限公司

PAGE

5 OF 7

SPEC. NO.

C01000730F-01

ISSUED DATE

02. 18. 2012

EDITION

0

REVISION DATE



Notes

I. SPECIFICATION MODIFICATION

1. SUNON offers engineering assistance on module installation and cooling system design.
2. All changes, modifications and/or revisions to the specifications, if any, are incorporated in the attached specifications.
3. No changes, modifications and/or revisions to these specifications are effective absent agreement, by both Sunon and the customer, in writing.
4. This module will be shipped in accordance with the attached specification unless SUNON and the customer have agreed otherwise, in writing, as specified in Paragraph 3, above.

II. OTHER

1. DO NOT operate this module in proximity to hazardous materials such as organic silicon, cyanogens, formalin, phenol, or corrosive gas environments including, but not limited to, H₂S, SO₂, NO₂, or Cl₂.
2. Unless otherwise noted, all testing of this module is conducted at 25°C ambient temperature and sixty-five percent (65%) relative humidity.
3. DO NOT store this module in an environment with high humidity. This module must be stored in accordance with the attached specifications regarding storage temperature. If this module is stored for more than 6 months, SUNON recommends functional testing before using.
4. SUNON reserves the right to use components from multiple sources at its discretion. The use of components from other sources will not affect the specifications as described herein.

III. WARRANTY

This module is warranted against all defects which are proved to be fault in our workmanship and material for one year from the date of our delivery. The sole responsibility under the warranty shall be limited to the repair of the module or the replacement thereof, at SUNON's sole discretion. SUNON will not be responsible for the failures of its module due to improper handling, misuse or the failure to follow specifications or instructions for use. In the event of warranty claim, the customer shall immediately notify SUNON for verification. SUNON will not be responsible for any consequential damage to the customer's equipment as a result of any module proven to be defective.

SUNONWEALTH ELECTRIC
MACHINE INDUSTRY CO., LTD.
建準電機工業股份有限公司

PAGE	6 OF 7
SPEC. NO.	C01000730F-01
ISSUED DATE	02. 18. 2012
EDITION	0
REVISION DATE	



Declaration of Restricted Materials

Control declaration of environment- related substances/ materials

1. In accordance with the Restriction of Hazardous Substances (RoHS) Directive and specific market requirements, Sunon Halogen-Free Product have complied with law and discipline not to employ the forbidden substances, and restrict the allowable concentration of some limited substances deliberately in our components.

No	Substance	Criteria	
1	CFCs & HCFCs (ozone depleting substances)	Forbidden	
2	Chlorinated Organic Solvent	Forbidden	
3	Lead and its compounds	Plastic (Frame, Impeller, wire harness, etc.)	<100ppm
		Solder	<1000ppm
		Steel alloy	<3500ppm
		Aluminium alloy	<4000ppm
		Copper alloy	<4wt%
4	Cadmium and its compounds	Solder	<20ppm
		Parts composed of metals containing zinc (e.g. brass, zinc for die casting)	<100ppm
		Plastic	<5ppm
5	PBBs and PBDEs	Forbidden	
6	PCB and PCT	Forbidden	
7	CP, Short-chain Chlorinated paraffins C10-13, Cl ≥48 wt%	Forbidden	
8	Mirex	Forbidden	
9	PCN	Forbidden	
10	Hexavalent Chromium compounds	<100ppm	
11	Mercury and its compounds	Forbidden	
12	Asbestos	Forbidden	
13	Organic Tin compounds	Forbidden	
14	Azo compounds	Forbidden	
15	TBBP-A in external case plastic parts of products (PCB is exempted)	<1000ppm	
16	Nickel in external case parts, which are likely to result in prolonged skin exposure	<1000ppm	
17	Halogen-Free Product: Brominated/chlorinated flame retardants (other than PBBs or PBDEs), applicable item: frame, bobbin, impeller, lear wire, connector, mylar insulator.	Br<900ppm Cl<900ppm Br+Cl<1500ppm	
18	PAHs and its 16 compounds in unusual contact material	BaP < 20ppm 16 compounds total content < 200ppm	
19	PCB and electroplating material, PFOS content complied with 2006/122/EC	PFOS <1000ppm; coating material PFOS < 1μg/m ²	

SUNONWEALTH ELECTRIC
MACHINE INDUSTRY CO., LTD.

建準電機工業股份有限公司

PAGE

7 OF 7

SPEC. NO.

C01000730F-01

ISSUED DATE

02. 18. 2012

EDITION

0

REVISION DATE

