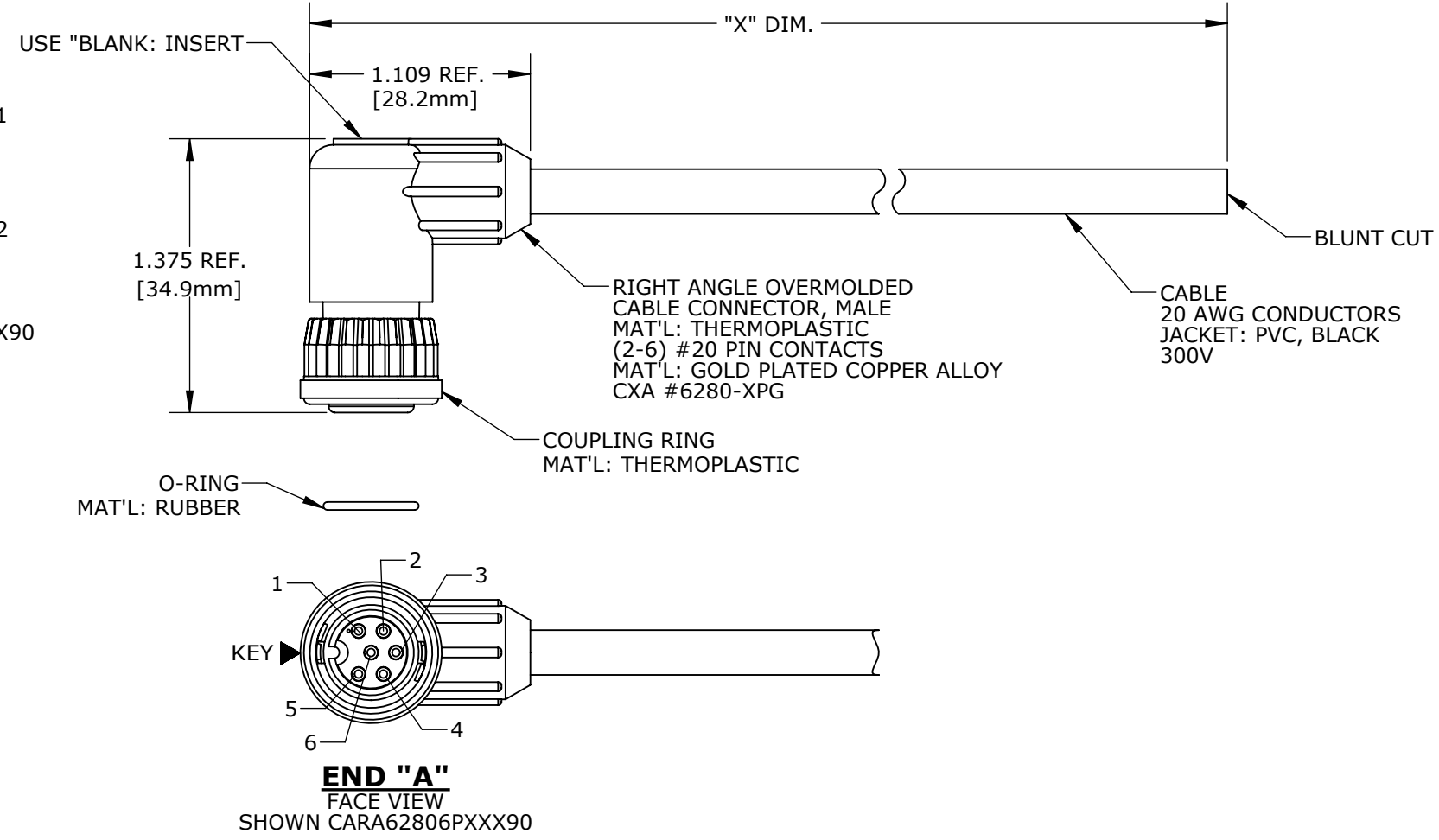
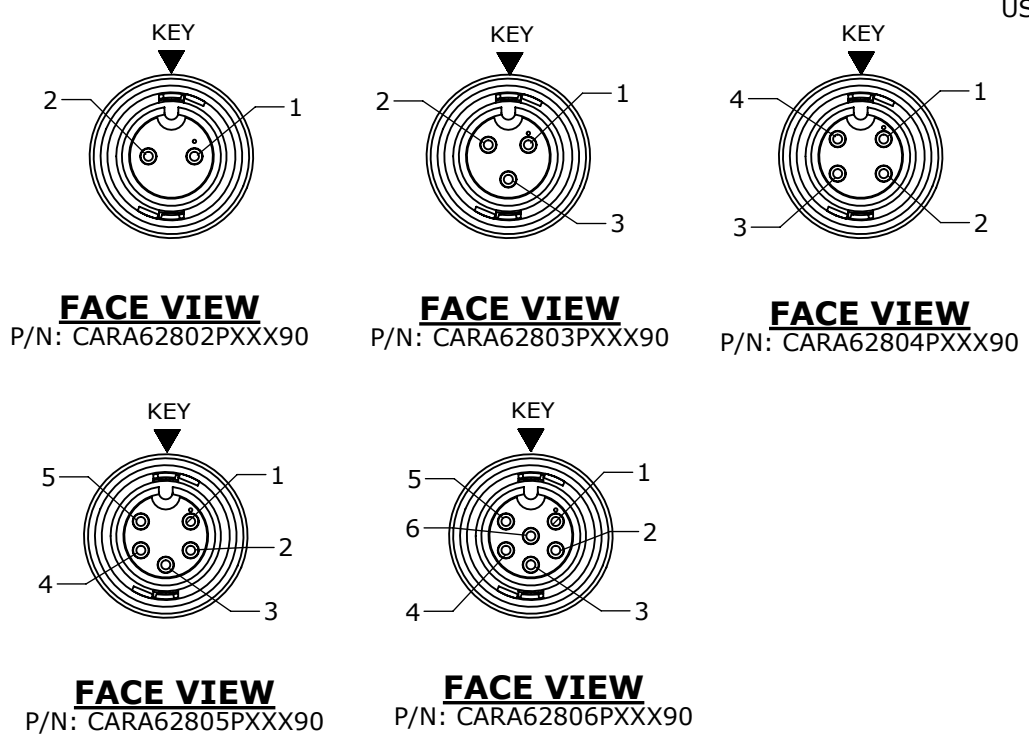


NOTES:

1. FINISHED CABLE ASSEMBLY TO BE COILED
2. OVERMOLD BOOT MATERIAL: PVC, BLACK
3. ELECTRICAL TEST: 100% CONTINUITY

ASS'Y P/N	NO. OF POS.	"X" DIM.
CARA62802P07990	2	6 FT. 7 IN. ±2 IN. [2M]
CARA62803P07990	3	
CARA62804P07990	4	
CARA62805P07990	5	
CARA62806P07990	6	
CARA6280XPXXX90		

CABLE LENGTH IN "INCHES"
NO OF POSITIONS



CUSTOMER PRINT

PART NUMBER: CARA6280XPXXX90

ASSY P/N	CABLE	COLOR CODE END "A"
CARA62802PXXX90	2/20 AWG O.D. 0.215 REF	COLOR CODE
		POS. 1 POS. 2
		BLK WHT
CARA62803PXXX90	3/20 AWG O.D. 0.220 REF	WIRE COLOR CODE
		POS. 1 POS. 2 POS. 3
		BLK WHT GRN
CARA62804PXXX90	4/20 AWG O.D. 0.235 REF	WIRE COLOR CODE
		POS. 1 POS. 2 POS. 3 POS. 4
		BLK WHT GRN RED
CARA62805PXXX90	5/20 AWG O.D. 0.255 REF	WIRE COLOR CODE
		POS. 1 POS. 2 POS. 3 POS. 4 POS. 5
		BLK WHT GRN RED BLU
CARA62806PXXX90	6/20 AWG O.D. 0.275 REF	WIRE COLOR CODE
		POS. 1 POS. 2 POS. 3 POS. 4 POS. 5 POS. 6
		BLK WHT GRN RED BLU VIO

CUSTOMER APPROVAL

THIS DOCUMENT CONTAINS CONFIDENTIAL INFORMATION PROPRIETARY TO CONXALL CORPORATION. ANY REPRODUCTION, DISCLOSURE, OR USE OF THIS DOCUMENT /INFORMATION IS EXPRESSLY PROHIBITED UNLESS AUTHORIZED IN WRITING BY CONXALL CORPORATION.

APPROVED BY: _____
DATE: _____

REV.	INIT.	DATE	DESCRIPTION
A	AN	06-30-16	DRAWING CREATED PER DOR 16-7414JP
			ORIG. DRAWN BY: AN DATE: 05-26-16
			CHECKED BY:
			APPROVED BY:
			SCALE: NTS SIZE: B SHEET: 1 OF 1
			FILE: CARA6280XPXXX90 DIRECTORY: SLW



601 E. WILDWOOD VILLA PARK, IL 60181

TITLE: CABLE ASSEMBLY (2-6) #20 PIN CONTACTS MINI-CON-X, R. ANGLE STANDARD PRODUCT

CUSTOMER: CARA6280XPXXX90

DIMENSIONS IN BRACKET [] ARE METRIC. **RoHS COMPLIANT**