

## LM1577/LM2577 SIMPLE SWITCHER<sup>®</sup> Step-Up Voltage Regulator

Check for Samples: [LM1577](#), [LM2577](#)

### FEATURES

- Requires few external components
- NPN output switches 3.0A, can stand off 65V
- Wide input voltage range: 3.5V to 40V
- Current-mode operation for improved transient response, line regulation, and current limit
- 52 kHz internal oscillator
- Soft-start function reduces in-rush current during start-up

- Output switch protected by current limit, under-voltage lockout, and thermal shutdown

### TYPICAL APPLICATIONS

- Simple boost regulator
- Flyback and forward regulators
- Multiple-output regulator

### DESCRIPTION

The LM1577/LM2577 are monolithic integrated circuits that provide all of the power and control functions for step-up (boost), flyback, and forward converter switching regulators. The device is available in three different output voltage versions: 12V, 15V, and adjustable.

Requiring a minimum number of external components, these regulators are cost effective, and simple to use. Listed in this data sheet are a family of standard inductors and flyback transformers designed to work with these switching regulators.

Included on the chip is a 3.0A NPN switch and its associated protection circuitry, consisting of current and thermal limiting, and undervoltage lockout. Other features include a 52 kHz fixed-frequency oscillator that requires no external components, a soft start mode to reduce in-rush current during start-up, and current mode control for improved rejection of input voltage and output load transients.

### Connection Diagrams

#### Straight Leads 5-Lead TO-220 (T)



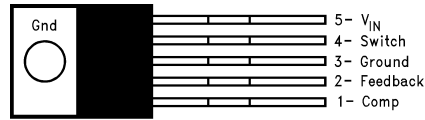
**Figure 1. Top View**  
**Order Number LM2577T-12, LM2577T-15,**  
**or LM2577T-ADJ**  
**See NS Package Number T05A**



Please be aware that an important notice concerning availability, standard warranty, and use in critical applications of Texas Instruments semiconductor products and disclaimers thereto appears at the end of this data sheet.

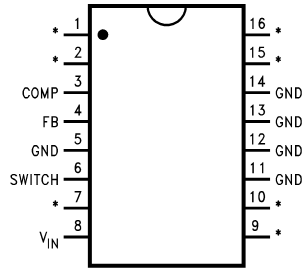
SIMPLE SWITCHER is a registered trademark of Texas Instruments.  
All other trademarks are the property of their respective owners.

**Bent, Staggered Leads  
5-Lead TO-220 (T)**



**Figure 2. Top View**  
**Order Number LM2577T-12 Flow LB03, LM2577T-15**  
**Flow LB03, or LM2577T-ADJ Flow LB03**  
**See NS Package Number T05D**

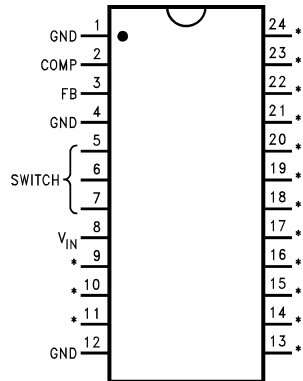
**16-Lead DIP (N)**



\*No internal Connection

**Figure 3. Top View**  
**Order Number LM2577N-12, LM2577N-15,**  
**or LM2577N-ADJ**  
**See NS Package Number N16A**

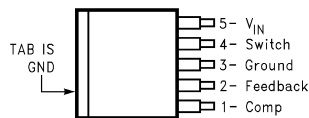
**24-Lead Surface Mount (M)**



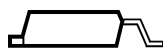
\*No internal Connection

**Figure 4. Top View**  
**Order Number LM2577M-12, LM2577M-15,**  
**or LM2577M-ADJ**  
**See NS Package Number M24B**

**TO-263 (S)  
5-Lead Surface-Mount Package**

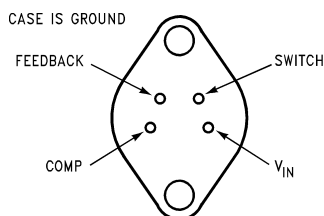


**Figure 5. Top View**



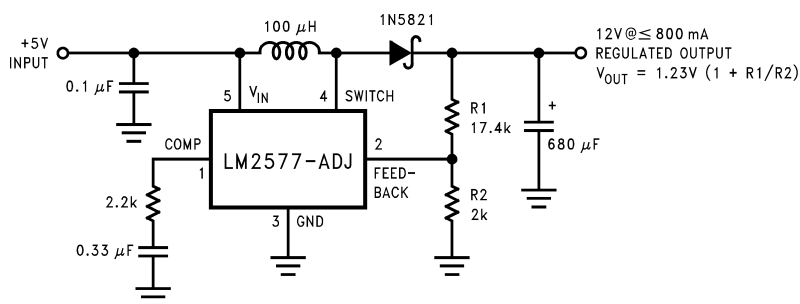
**Figure 6. Side View**  
Order Number LM2577S-12, LM2577S-15,  
or LM2577S-ADJ  
See NS Package Number TS5B

**4-Lead TO-3 (K)**



**Figure 7. Bottom View**  
Order Number LM1577K-12/883, LM1577K-15/883,  
or LM1577K-ADJ/883  
See NS Package Number K04A

**Typical Application**



**Note:** Pin numbers shown are for TO-220 (T) package.



These devices have limited built-in ESD protection. The leads should be shorted together or the device placed in conductive foam during storage or handling to prevent electrostatic damage to the MOS gates.

**Absolute Maximum Ratings** <sup>(1)</sup>

Supply Voltage	45V
Output Switch Voltage	65V
Output Switch Current <sup>(2)</sup>	6.0A
Power Dissipation	Internally Limited
Storage Temperature Range	-65°C to +150°C
Lead Temperature	
(Soldering, 10 sec.)	260°C
Maximum Junction Temperature	150°C
Minimum ESD Rating	
(C = 100 pF, R = 1.5 kΩ)	2 kV

- (1) Absolute Maximum Ratings indicate limits beyond which damage to the device may occur. Operating ratings indicate conditions the device is intended to be functional, but device parameter specifications may not be guaranteed under these conditions. For guaranteed specifications and test conditions, see the Electrical Characteristics.
- (2) Due to timing considerations of the LM1577/LM2577 current limit circuit, output current cannot be internally limited when the LM1577/LM2577 is used as a step-up regulator. To prevent damage to the switch, its current must be externally limited to 6.0A. However, output current is internally limited when the LM1577/LM2577 is used as a flyback or forward converter regulator in accordance to the Application Hints.

**Operating Ratings**

Supply Voltage	$3.5V \leq V_{IN} \leq 40V$
Output Switch Voltage	$0V \leq V_{SWITCH} \leq 60V$
Output Switch Current	$I_{SWITCH} \leq 3.0A$
Junction Temperature Range	
LM1577	$-55^{\circ}C \leq T_J \leq +150^{\circ}C$
LM2577	$-40^{\circ}C \leq T_J \leq +125^{\circ}C$

**Electrical Characteristics—LM1577-12, LM2577-12**

Specifications with standard type face are for  $T_J = 25^\circ\text{C}$ , and those in **bold type face** apply over full **Operating Temperature Range**. Unless otherwise specified,  $V_{IN} = 5\text{V}$ , and  $I_{SWITCH} = 0$ .

Symbol	Parameter	Conditions	Typical	LM1577-12	LM2577-12	Units
				Limit	Limit	(Limits)
<b>SYSTEM PARAMETERS</b> Circuit of <a href="#">Figure 8</a> <sup>(4)</sup>						
$V_{OUT}$	Output Voltage	$V_{IN} = 5\text{V to }10\text{V}$	12.0			V
		$I_{LOAD} = 100\text{ mA to }800\text{ mA}$		<b>11.60/11.40</b>	<b>11.60/11.40</b>	V(min)
		(1)		<b>12.40/12.60</b>	<b>12.40/12.60</b>	V(max)
$\frac{\Delta V_{OUT}}{\Delta V_{IN}}$ (1)	Line Regulation	$V_{IN} = 3.5\text{V to }10\text{V}$	20			mV
		$I_{LOAD} = 300\text{ mA}$		<b>50/100</b>	<b>50/100</b>	mV(max)
$\frac{\Delta V_{OUT}}{\Delta I_{LOAD}}$ (2)	Load Regulation	$V_{IN} = 5\text{V}$	20			mV
		$I_{LOAD} = 100\text{ mA to }800\text{ mA}$		<b>50/100</b>	<b>50/100</b>	mV(max)
$\eta$	Efficiency	$V_{IN} = 5\text{V}, I_{LOAD} = 800\text{ mA}$	80			%
<b>DEVICE PARAMETERS</b>						
$I_S$	Input Supply Current	$V_{FEEDBACK} = 14\text{V (Switch Off)}$	7.5			mA
				<b>10.0/14.0</b>	<b>10.0/14.0</b>	mA(max)
		$I_{SWITCH} = 2.0\text{A}$	25			mA
		$V_{COMP} = 2.0\text{V (Max Duty Cycle)}$		<b>50/85</b>	<b>50/85</b>	mA(max)
$V_{UV}$	Input Supply	$I_{SWITCH} = 100\text{ mA}$	2.90			V
	Undervoltage Lockout			<b>2.70/2.65</b>	<b>2.70/2.65</b>	V(min)
				<b>3.10/3.15</b>	<b>3.10/3.15</b>	V(max)
$f_O$	Oscillator Frequency	Measured at Switch Pin	52			kHz
		$I_{SWITCH} = 100\text{ mA}$		<b>48/42</b>	<b>48/42</b>	kHz(min)
				<b>56/62</b>	<b>56/62</b>	kHz(max)
$V_{REF}$	Output Reference	Measured at Feedback Pin				V
	Voltage	$V_{IN} = 3.5\text{V to }40\text{V}$	12	<b>11.76/11.64</b>	<b>11.76/11.64</b>	V(min)
		$V_{COMP} = 1.0\text{V}$		<b>12.24/12.36</b>	<b>12.24/12.36</b>	V(max)
$\frac{\Delta V_{REF}}{\Delta V_{IN}}$ (3)	Output Reference	$V_{IN} = 3.5\text{V to }40\text{V}$	7			mV
	Voltage Line Regulator					
$R_{FB}$	Feedback Pin Input		9.7			k $\Omega$
	Resistance					
$G_M$	Error Amp	$I_{COMP} = -30\ \mu\text{A to }+30\ \mu\text{A}$	370			$\mu\text{mho}$
	Transconductance	$V_{COMP} = 1.0\text{V}$		<b>225/145</b>	<b>225/145</b>	$\mu\text{mho(min)}$
				<b>515/615</b>	<b>515/615</b>	$\mu\text{mho(max)}$

- (1) All limits guaranteed at room temperature (standard type face) and at temperature extremes (boldface type). All limits are used to calculate Outgoing Quality Level, and are 100% production tested.
- (2) A military RETS electrical test specification is available on request. At the time of printing, the LM1577K-12/883, LM1577K-15/883, and LM1577K-ADJ/883 RETS specifications complied fully with the boldface limits in these columns. The LM1577K-12/883, LM1577K-15/883, and LM1577K-ADJ/883 may also be procured to Standard Military Drawing specifications.
- (3) All limits guaranteed at room temperature (standard type face) and at temperature extremes (boldface type). All room temperature limits are 100% production tested. All limits at temperature extremes are guaranteed via correlation using standard Statistical Quality Control (SQC) methods.
- (4) External components such as the diode, inductor, input and output capacitors can affect switching regulator performance. When the LM1577/LM2577 is used as shown in the Test Circuit, system performance will be as specified by the system parameters.

**Electrical Characteristics—LM1577-12, LM2577-12 (continued)**

Specifications with standard type face are for  $T_J = 25^\circ\text{C}$ , and those in **bold type face** apply over full **Operating Temperature Range**. Unless otherwise specified,  $V_{IN} = 5\text{V}$ , and  $I_{\text{SWITCH}} = 0$ .

Symbol	Parameter	Conditions	Typical	LM1577-12	LM2577-12	Units (Limits)
				Limit	Limit (1)(2) (3)	
$A_{\text{VOL}}$	Error Amp	$V_{\text{COMP}} = 1.1\text{V to }1.9\text{V}$	80			V/V
	Voltage Gain	$R_{\text{COMP}} = 1.0\text{ M}\Omega$ (5)		<b>50/25</b>	<b>50/25</b>	V/V(min)
	Error Amplifier	Upper Limit	2.4			V
	Output Swing	$V_{\text{FEEDBACK}} = 10.0\text{V}$		<b>2.2/2.0</b>	<b>2.2/2.0</b>	V(min)
		Lower Limit	0.3			V
		$V_{\text{FEEDBACK}} = 15.0\text{V}$		<b>0.40/0.55</b>	<b>0.40/0.55</b>	V(max)
	Error Amplifier	$V_{\text{FEEDBACK}} = 10.0\text{V to }15.0\text{V}$	$\pm 200$			$\mu\text{A}$
	Output Current	$V_{\text{COMP}} = 1.0\text{V}$		$\pm 130/\pm 90$	$\pm 130/\pm 90$	$\mu\text{A}(\text{min})$
					$\pm 300/\pm 400$	$\pm 300/\pm 400$
$I_{\text{SS}}$	Soft Start Current	$V_{\text{FEEDBACK}} = 10.0\text{V}$	5.0			$\mu\text{A}$
		$V_{\text{COMP}} = 0\text{V}$		<b>2.5/1.5</b>	<b>2.5/1.5</b>	$\mu\text{A}(\text{min})$
				<b>7.5/9.5</b>	<b>7.5/9.5</b>	$\mu\text{A}(\text{max})$
D	Maximum Duty Cycle	$V_{\text{COMP}} = 1.5\text{V}$	95			%
		$I_{\text{SWITCH}} = 100\text{ mA}$		<b>93/90</b>	<b>93/90</b>	%(min)
$\frac{\Delta I_{\text{SWITCH}}}{\Delta V_{\text{COMP}}}$ (4)	Switch Transconductance		12.5			A/V
$I_{\text{L}}$	Switch Leakage	$V_{\text{SWITCH}} = 65\text{V}$	10			$\mu\text{A}$
	Current	$V_{\text{FEEDBACK}} = 15\text{V}$ (Switch Off)		<b>300/600</b>	<b>300/600</b>	$\mu\text{A}(\text{max})$
$V_{\text{SAT}}$	Switch Saturation	$I_{\text{SWITCH}} = 2.0\text{A}$	0.5			V
	Voltage	$V_{\text{COMP}} = 2.0\text{V}$ (Max Duty Cycle)		<b>0.7/0.9</b>	<b>0.7/0.9</b>	V(max)
	NPN Switch		4.5			A
	Current Limit			<b>3.7/3.0</b>	<b>3.7/3.0</b>	A(min)
				<b>5.3/6.0</b>	<b>5.3/6.0</b>	A(max)

(5) A 1.0 M $\Omega$  resistor is connected to the compensation pin (which is the error amplifier's output) to ensure accuracy in measuring  $A_{\text{VOL}}$ . In actual applications, this pin's load resistance should be  $\geq 10\text{ M}\Omega$ , resulting in  $A_{\text{VOL}}$  that is typically twice the guaranteed minimum limit.

**Electrical Characteristics—LM1577-15, LM2577-15**

Specifications with standard type face are for  $T_J = 25^\circ\text{C}$ , and those in **bold type face** apply over full **Operating Temperature Range**. Unless otherwise specified,  $V_{IN} = 5\text{V}$ , and  $I_{SWITCH} = 0$ .

Symbol	Parameter	Conditions	Typical	LM1577-15 Limit	LM2577-15 Limit	Units (Limits)
<b>SYSTEM PARAMETERS</b> Circuit of <a href="#">Figure 9</a> <sup>(4)</sup>						
$V_{OUT}$	Output Voltage	$V_{IN} = 5\text{V to }12\text{V}$	15.0			V
		$I_{LOAD} = 100\text{ mA to }600\text{ mA}$		<b>14.50/14.25</b>	<b>14.50/14.25</b>	V(min)
		<sup>(1)</sup>		<b>15.50/15.75</b>	<b>15.50/15.75</b>	V(max)
$\frac{\Delta V_{OUT}}{\Delta V_{IN}}$ (5)	Line Regulation	$V_{IN} = 3.5\text{V to }12\text{V}$	20	<b>50/100</b>	<b>50/100</b>	mV
		$I_{LOAD} = 300\text{ mA}$				mV(max)
$\frac{\Delta V_{OUT}}{\Delta I_{LOAD}}$ (6)	Load Regulation	$V_{IN} = 5\text{V}$	20	<b>50/100</b>	<b>50/100</b>	mV
		$I_{LOAD} = 100\text{ mA to }600\text{ mA}$				mV(max)
$\eta$	Efficiency	$V_{IN} = 5\text{V}, I_{LOAD} = 600\text{ mA}$	80			%
<b>DEVICE PARAMETERS</b>						
$I_S$	Input Supply Current	$V_{FEEDBACK} = 18.0\text{V}$	7.5			mA
		(Switch Off)		<b>10.0/14.0</b>	<b>10.0/14.0</b>	mA(max)
		$I_{SWITCH} = 2.0\text{A}$	25			mA
		$V_{COMP} = 2.0\text{V}$ (Max Duty Cycle)		<b>50/85</b>	<b>50/85</b>	mA(max)
$V_{UV}$	Input Supply	$I_{SWITCH} = 100\text{ mA}$	2.90			V
	Undervoltage			<b>2.70/2.65</b>	<b>2.70/2.65</b>	V(min)
	Lockout			<b>3.10/3.15</b>	<b>3.10/3.15</b>	V(max)
$f_O$	Oscillator Frequency	Measured at Switch Pin	52			kHz
		$I_{SWITCH} = 100\text{ mA}$		<b>48/42</b>	<b>48/42</b>	kHz(min)
				<b>56/62</b>	<b>56/62</b>	kHz(max)
$V_{REF}$	Output Reference	Measured at Feedback Pin				V
	Voltage	$V_{IN} = 3.5\text{V to }40\text{V}$	15	<b>14.70/14.55</b>	<b>14.70/14.55</b>	V(min)
		$V_{COMP} = 1.0\text{V}$		<b>15.30/15.45</b>	<b>15.30/15.45</b>	V(max)
$\frac{\Delta V_{REF}}{\Delta V_{IN}}$	Output Reference Voltage Line Regulation	$V_{IN} = 3.5\text{V to }40\text{V}$	10			mV
$R_{FB}$	Feedback Pin Input		12.2			k $\Omega$
	Voltage Line Regulator					
$G_M$	Error Amp	$I_{COMP} = -30\ \mu\text{A to }+30\ \mu\text{A}$	300			$\mu\text{mho}$
	Transconductance	$V_{COMP} = 1.0\text{V}$		<b>170/110</b>	<b>170/110</b>	$\mu\text{mho(min)}$
				<b>420/500</b>	<b>420/500</b>	$\mu\text{mho(max)}$
$A_{VOL}$	Error Amp	$V_{COMP} = 1.1\text{V to }1.9\text{V}$	65			V/V
	Voltage Gain	$R_{COMP} = 1.0\ \text{M}\Omega$ <sup>(5)</sup>		<b>40/20</b>	<b>40/20</b>	V/V(min)

- (1) All limits guaranteed at room temperature (standard type face) and at temperature extremes (boldface type). All limits are used to calculate Outgoing Quality Level, and are 100% production tested.
- (2) A military RETS electrical test specification is available on request. At the time of printing, the LM1577K-12/883, LM1577K-15/883, and LM1577K-ADJ/883 RETS specifications complied fully with the boldface limits in these columns. The LM1577K-12/883, LM1577K-15/883, and LM1577K-ADJ/883 may also be procured to Standard Military Drawing specifications.
- (3) All limits guaranteed at room temperature (standard type face) and at temperature extremes (boldface type). All room temperature limits are 100% production tested. All limits at temperature extremes are guaranteed via correlation using standard Statistical Quality Control (SQC) methods.
- (4) External components such as the diode, inductor, input and output capacitors can affect switching regulator performance. When the LM1577/LM2577 is used as shown in the Test Circuit, system performance will be as specified by the system parameters.
- (5) A 1.0 M $\Omega$  resistor is connected to the compensation pin (which is the error amplifier's output) to ensure accuracy in measuring  $A_{VOL}$ . In actual applications, this pin's load resistance should be  $\geq 10\ \text{M}\Omega$ , resulting in  $A_{VOL}$  that is typically twice the guaranteed minimum limit.

**Electrical Characteristics—LM1577-15, LM2577-15 (continued)**

Specifications with standard type face are for  $T_J = 25^\circ\text{C}$ , and those in **bold type face** apply over full **Operating Temperature Range**. Unless otherwise specified,  $V_{IN} = 5\text{V}$ , and  $I_{SWITCH} = 0$ .

Symbol	Parameter	Conditions	Typical	LM1577-15	LM2577-15	Units (Limits)
				Limit	Limit (1)(2) (3)	
	Error Amplifier	Upper Limit	2.4			V
	Output Swing	$V_{FEEDBACK} = 12.0\text{V}$		<b>2.2/2.0</b>	<b>2.2/2.0</b>	V(min)
		Lower Limit	0.3			V
		$V_{FEEDBACK} = 18.0\text{V}$		<b>0.4/0.55</b>	<b>0.40/0.55</b>	V(max)
	Error Amp	$V_{FEEDBACK} = 12.0\text{V}$ to $18.0\text{V}$	$\pm 200$			$\mu\text{A}$
	Output Current	$V_{COMP} = 1.0\text{V}$		$\pm 130/\pm 90$	$\pm 130/\pm 90$	$\mu\text{A}(\text{min})$
				<b><math>\pm 300/\pm 400</math></b>	<b><math>\pm 300/\pm 400</math></b>	$\mu\text{A}(\text{max})$
$I_{SS}$	Soft Start Current	$V_{FEEDBACK} = 12.0\text{V}$	5.0			$\mu\text{A}$
		$V_{COMP} = 0\text{V}$		<b>2.5/1.5</b>	<b>2.5/1.5</b>	$\mu\text{A}(\text{min})$
				<b>7.5/9.5</b>	<b>7.5/9.5</b>	$\mu\text{A}(\text{max})$
D	Maximum Duty	$V_{COMP} = 1.5\text{V}$	95			%
	Cycle	$I_{SWITCH} = 100\text{ mA}$		<b>93/90</b>	<b>93/90</b>	%(min)
$\frac{\Delta I_{SWITCH}}{\Delta V_{COMP}}$ (7)	Switch Transconductance		12.5			A/V
$I_L$	Switch Leakage	$V_{SWITCH} = 65\text{V}$	10			$\mu\text{A}$
	Current	$V_{FEEDBACK} = 18.0\text{V}$ (Switch Off)		<b>300/600</b>	<b>300/600</b>	$\mu\text{A}(\text{max})$
$V_{SAT}$	Switch Saturation	$I_{SWITCH} = 2.0\text{A}$	0.5			V
	Voltage	$V_{COMP} = 2.0\text{V}$ (Max Duty Cycle)		<b>0.7/0.9</b>	<b>0.7/0.9</b>	V(max)
	NPN Switch	$V_{COMP} = 2.0\text{V}$	4.3			A
	Current Limit			<b>3.7/3.0</b>	<b>3.7/3.0</b>	A(min)
				<b>5.3/6.0</b>	<b>5.3/6.0</b>	A(max)



**Electrical Characteristics—LM1577-ADJ, LM2577-ADJ**

Specifications with standard type face are for  $T_J = 25^\circ\text{C}$ , and those in **bold type face** apply over full **Operating Temperature Range**. Unless otherwise specified,  $V_{IN} = 5\text{V}$ ,  $V_{FEEDBACK} = V_{REF}$ , and  $I_{SWITCH} = 0$ .

Symbol	Parameter	Conditions	Typical	LM1577-ADJ	LM2577-ADJ	Units (Limits)
				Limit	Limit (1)(2) (3)	
<b>SYSTEM PARAMETERS</b> Circuit of <a href="#">Figure 10</a> <sup>(4)</sup>						
$V_{OUT}$	Output Voltage	$V_{IN} = 5\text{V to }10\text{V}$	12.0			V
		$I_{LOAD} = 100\text{ mA to }800\text{ mA}$		<b>11.60/11.40</b>	<b>11.60/11.40</b>	V(min)
		<sup>(1)</sup>		<b>12.40/12.60</b>	<b>12.40/12.60</b>	V(max)
$\Delta V_{OUT}/V_{IN}$	Line Regulation	$V_{IN} = 3.5\text{V to }10\text{V}$	20			mV
$\Delta V_{IN}$		$I_{LOAD} = 300\text{ mA}$		<b>50/100</b>	<b>50/100</b>	mV(max)
$\Delta V_{OUT}/I_{LOAD}$	Load Regulation	$V_{IN} = 5\text{V}$	20			mV
$\Delta I_{LOAD}$		$I_{LOAD} = 100\text{ mA to }800\text{ mA}$		<b>50/100</b>	<b>50/100</b>	mV(max)
$\eta$	Efficiency	$V_{IN} = 5\text{V}$ , $I_{LOAD} = 800\text{ mA}$	80			%
<b>DEVICE PARAMETERS</b>						
$I_S$	Input Supply Current	$V_{FEEDBACK} = 1.5\text{V}$ (Switch Off)	7.5			mA
				<b>10.0/14.0</b>	<b>10.0/14.0</b>	mA(max)
		$I_{SWITCH} = 2.0\text{A}$	25			mA
		$V_{COMP} = 2.0\text{V}$ (Max Duty Cycle)		<b>50/85</b>	<b>50/85</b>	mA(max)
$V_{UV}$	Input Supply	$I_{SWITCH} = 100\text{ mA}$	2.90			V
	Undervoltage Lockout			<b>2.70/2.65</b>	<b>2.70/2.65</b>	V(min)
				<b>3.10/3.15</b>	<b>3.10/3.15</b>	V(max)
$f_O$	Oscillator Frequency	Measured at Switch Pin	52			kHz
		$I_{SWITCH} = 100\text{ mA}$		<b>48/42</b>	<b>48/42</b>	kHz(min)
				<b>56/62</b>	<b>56/62</b>	kHz(max)
$V_{REF}$	Reference	Measured at Feedback Pin				V
	Voltage	$V_{IN} = 3.5\text{V to }40\text{V}$	1.230	<b>1.214/1.206</b>	<b>1.214/1.206</b>	V(min)
		$V_{COMP} = 1.0\text{V}$		<b>1.246/1.254</b>	<b>1.246/1.254</b>	V(max)
$\Delta V_{REF}/V_{IN}$	Reference Voltage	$V_{IN} = 3.5\text{V to }40\text{V}$	0.5			mV
$\Delta V_{IN}$	Line Regulation					
$I_B$	Error Amp	$V_{COMP} = 1.0\text{V}$	100			nA
	Input Bias Current			<b>300/800</b>	<b>300/800</b>	nA(max)
$G_M$	Error Amp	$I_{COMP} = -30\text{ }\mu\text{A to }+30\text{ }\mu\text{A}$	3700			$\mu\text{mho}$
	Transconductance	$V_{COMP} = 1.0\text{V}$		<b>2400/1600</b>	<b>2400/1600</b>	$\mu\text{mho}$ (min)
				<b>4800/5800</b>	<b>4800/5800</b>	$\mu\text{mho}$ (max)
$A_{VOL}$	Error Amp	$V_{COMP} = 1.1\text{V to }1.9\text{V}$	800			V/V
	Voltage Gain	$R_{COMP} = 1.0\text{ M}\Omega$ <sup>(5)</sup>		<b>500/250</b>	<b>500/250</b>	V/V(min)

- (1) All limits guaranteed at room temperature (standard type face) and at temperature extremes (boldface type). All limits are used to calculate Outgoing Quality Level, and are 100% production tested.
- (2) A military RETS electrical test specification is available on request. At the time of printing, the LM1577K-12/883, LM1577K-15/883, and LM1577K-ADJ/883 RETS specifications complied fully with the boldface limits in these columns. The LM1577K-12/883, LM1577K-15/883, and LM1577K-ADJ/883 may also be procured to Standard Military Drawing specifications.
- (3) All limits guaranteed at room temperature (standard type face) and at temperature extremes (boldface type). All room temperature limits are 100% production tested. All limits at temperature extremes are guaranteed via correlation using standard Statistical Quality Control (SQC) methods.
- (4) External components such as the diode, inductor, input and output capacitors can affect switching regulator performance. When the LM1577/LM2577 is used as shown in the Test Circuit, system performance will be as specified by the system parameters.
- (5) A 1.0 M $\Omega$  resistor is connected to the compensation pin (which is the error amplifier's output) to ensure accuracy in measuring  $A_{VOL}$ . In actual applications, this pin's load resistance should be  $\geq 10\text{ M}\Omega$ , resulting in  $A_{VOL}$  that is typically twice the guaranteed minimum limit.

**Electrical Characteristics—LM1577-ADJ, LM2577-ADJ (continued)**

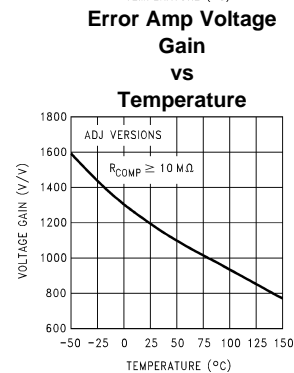
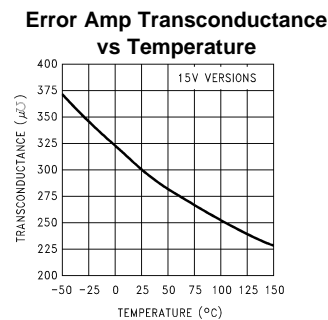
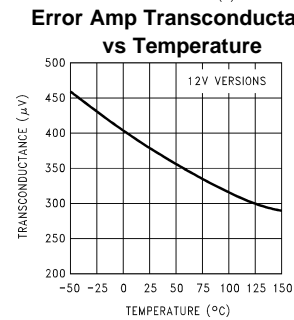
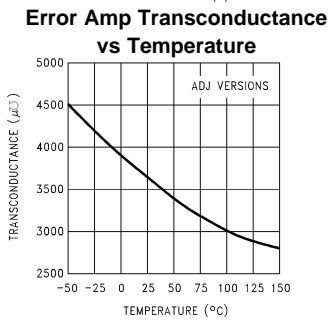
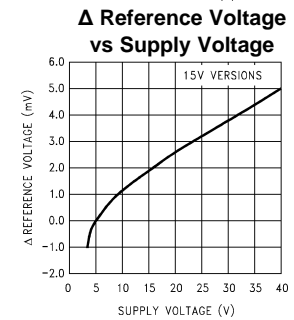
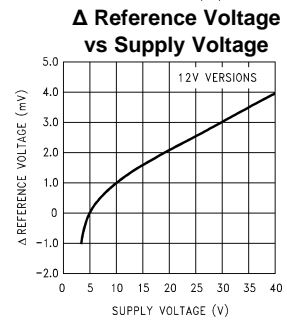
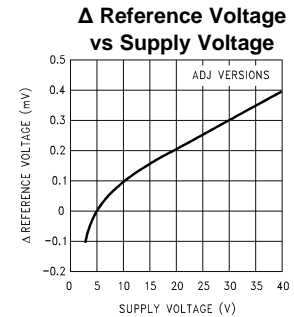
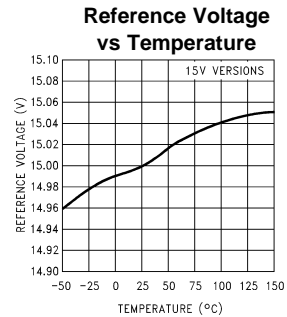
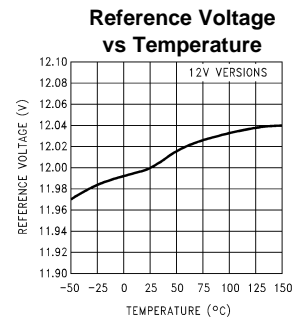
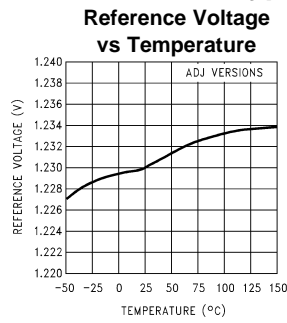
Specifications with standard type face are for  $T_J = 25^\circ\text{C}$ , and those in **bold type face** apply over full **Operating Temperature Range**. Unless otherwise specified,  $V_{IN} = 5\text{V}$ ,  $V_{FEEDBACK} = V_{REF}$ , and  $I_{SWITCH} = 0$ .

Symbol	Parameter	Conditions	Typical	LM1577-ADJ	LM2577-ADJ	Units (Limits)
				Limit	Limit (1)(2) (3)	
	Error Amplifier	Upper Limit	2.4			V
	Output Swing	$V_{FEEDBACK} = 1.0\text{V}$		<b>2.2/2.0</b>	<b>2.2/2.0</b>	V(min)
		Lower Limit	0.3			V
		$V_{FEEDBACK} = 1.5\text{V}$		<b>0.40/0.55</b>	<b>0.40/0.55</b>	V(max)
	Error Amp	$V_{FEEDBACK} = 1.0\text{V}$ to $1.5\text{V}$	$\pm 200$			$\mu\text{A}$
	Output Current	$V_{COMP} = 1.0\text{V}$		$\pm 130/\pm 90$	$\pm 130/\pm 90$	$\mu\text{A}(\text{min})$
					$\pm 300/\pm 400$	$\pm 300/\pm 400$
$I_{SS}$	Soft Start Current	$V_{FEEDBACK} = 1.0\text{V}$	5.0			$\mu\text{A}$
		$V_{COMP} = 0\text{V}$		<b>2.5/1.5</b>	<b>2.5/1.5</b>	$\mu\text{A}(\text{min})$
				<b>7.5/9.5</b>	<b>7.5/9.5</b>	$\mu\text{A}(\text{max})$
D	Maximum Duty Cycle	$V_{COMP} = 1.5\text{V}$	95			%
		$I_{SWITCH} = 100\text{mA}$		<b>93/90</b>	<b>93/90</b>	%(min)
$\Delta I_{SWITCH}/$ $\Delta V_{COMP}$	Switch Transconductance		12.5			A/V
$I_L$	Switch Leakage	$V_{SWITCH} = 65\text{V}$	10			$\mu\text{A}$
	Current	$V_{FEEDBACK} = 1.5\text{V}$ (Switch Off)		<b>300/600</b>	<b>300/600</b>	$\mu\text{A}(\text{max})$
$V_{SAT}$	Switch Saturation	$I_{SWITCH} = 2.0\text{A}$	0.5			V
	Voltage	$V_{COMP} = 2.0\text{V}$ (Max Duty Cycle)		<b>0.7/0.9</b>	<b>0.7/0.9</b>	V(max)
	NPN Switch	$V_{COMP} = 2.0\text{V}$	4.3			A
	Current Limit			<b>3.7/3.0</b>	<b>3.7/3.0</b>	A(min)
				<b>5.3/6.0</b>	<b>5.3/6.0</b>	A(max)
<b>THERMAL PARAMETERS (All Versions)</b>						
$\theta_{JA}$	Thermal Resistance	K Package, Junction to Ambient	35			°C/W
$\theta_{JC}$		K Package, Junction to Case	1.5			
$\theta_{JA}$		T Package, Junction to Ambient	65			
$\theta_{JC}$		T Package, Junction to Case	2			
$\theta_{JA}$		N Package, Junction to Ambient <sup>(6)</sup>	85			
		M Package, Junction to Ambient <sup>(6)</sup>	100			
$\theta_{JA}$		S Package, Junction to Ambient <sup>(7)</sup>	37			

(6) Junction to ambient thermal resistance with approximately 1 square inch of pc board copper surrounding the leads. Additional copper area will lower thermal resistance further. See thermal model in "Switchers Made Simple" software.

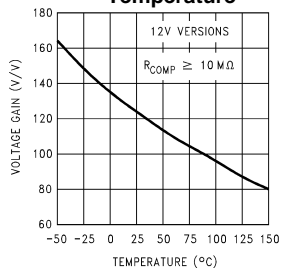
(7) If the TO-263 package is used, the thermal resistance can be reduced by increasing the PC board copper area thermally connected to the package. Using 0.5 square inches of copper area,  $\theta_{JA}$  is  $50^\circ\text{C/W}$ ; with 1 square inch of copper area,  $\theta_{JA}$  is  $37^\circ\text{C/W}$ ; and with 1.6 or more square inches of copper area,  $\theta_{JA}$  is  $32^\circ\text{C/W}$ .

Typical Performance Characteristics

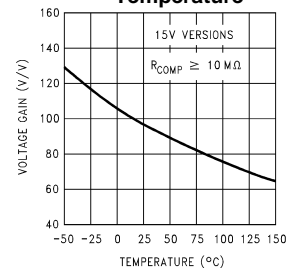


**Typical Performance Characteristics (continued)**

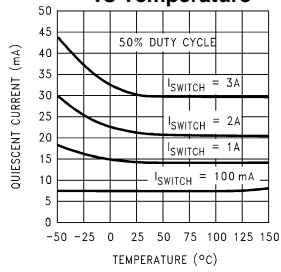
**Error Amp Voltage Gain vs Temperature**



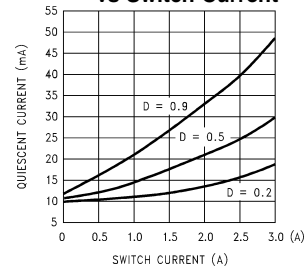
**Error Amp Voltage Gain vs Temperature**



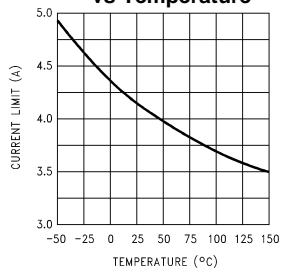
**Quiescent Current vs Temperature**



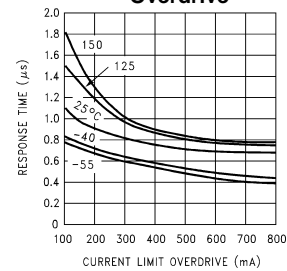
**Quiescent Current vs Switch Current**



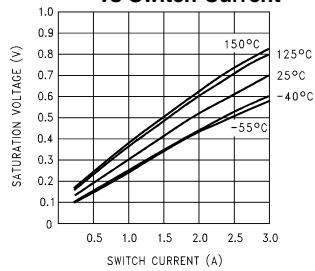
**Current Limit vs Temperature**



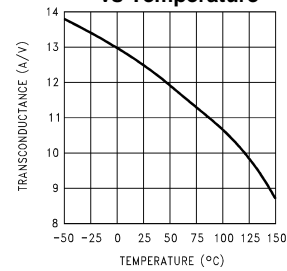
**Current Limit Response Time vs Overdrive**



**Switch Saturation Voltage vs Switch Current**

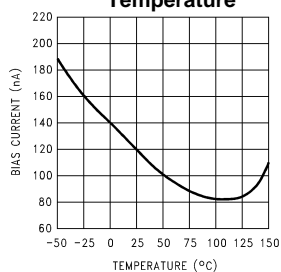


**Switch Transconductance vs Temperature**

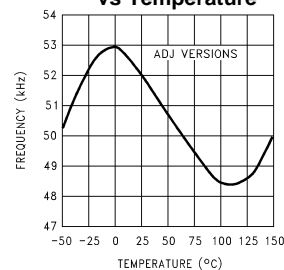


Typical Performance Characteristics (continued)

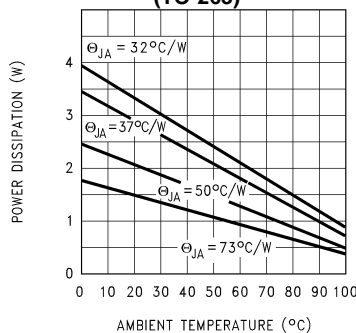
Feedback Pin Bias Current vs Temperature



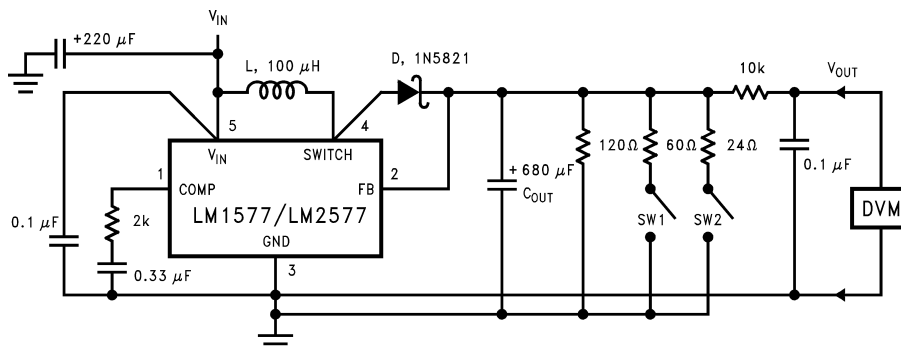
Oscillator Frequency vs Temperature



Maximum Power Dissipation (TO-263) (1)



LM1577-12, LM2577-12 Test Circuit



L = 415-0930 (AIE)

D = any manufacturer

C<sub>OUT</sub> = Sprague Type 673D

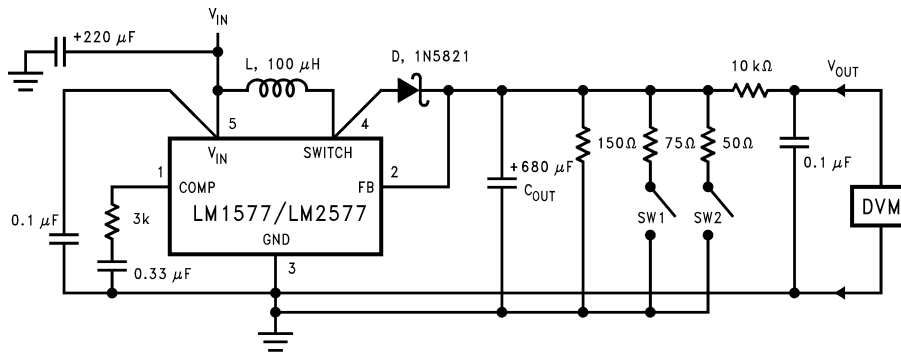
Electrolytic 680 μF, 20V

Note: Pin numbers shown are for TO-220 (T) package

Figure 8. Circuit Used to Specify System Parameters for 12V Versions

(1) If the TO-263 package is used, the thermal resistance can be reduced by increasing the PC board copper area thermally connected to the package. Using 0.5 square inches of copper area,  $\theta_{JA}$  is 50°C/W; with 1 square inch of copper area,  $\theta_{JA}$  is 37°C/W; and with 1.6 or more square inches of copper area,  $\theta_{JA}$  is 32°C/W.

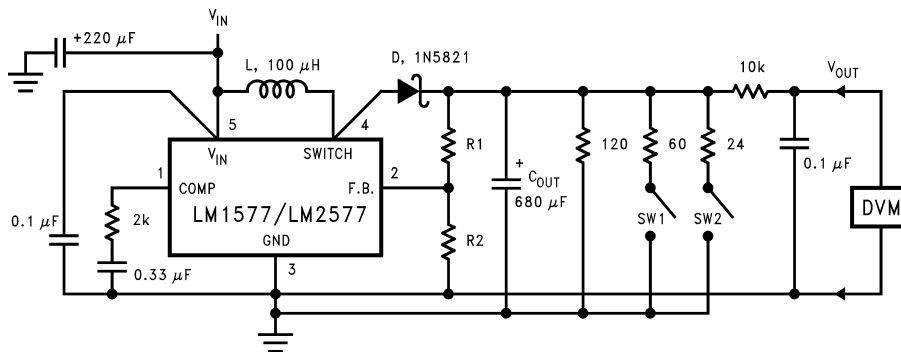
**LM1577-15, LM2577-15 Test Circuit**



L = 415-0930 (AIE)  
 D = any manufacturer  
 C<sub>OUT</sub> = Sprague Type 673D  
 Electrolytic 680 μF, 20V  
**Note:** Pin numbers shown are for TO-220 (T) package

**Figure 9. Circuit Used to Specify System Parameters for 15V Versions**

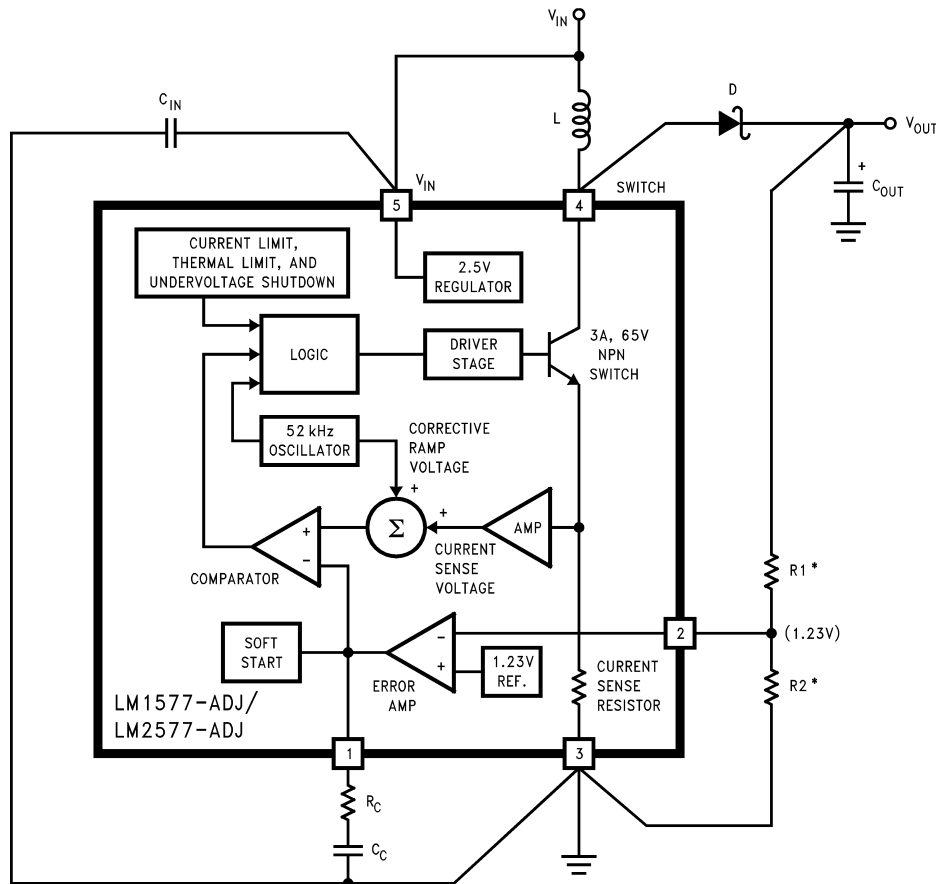
**LM1577-ADJ, LM2577-ADJ Test Circuit**



L = 415-0930 (AIE)  
 D = any manufacturer  
 C<sub>OUT</sub> = Sprague Type 673D  
 Electrolytic 680 μF, 20V  
 R1 = 48.7k in series with 511Ω (1%)  
 R2 = 5.62k (1%)  
**Note:** Pin numbers shown are for TO-220 (T) package

**Figure 10. Circuit Used to Specify System Parameters for ADJ Versions**

## Application Hints



**Note:** Pin numbers shown are for TO-220 (T) package  
 \*Resistors are internal to LM1577/LM2577 for 12V and 15V versions.

**Figure 11. LM1577/LM2577 Block Diagram and Boost Regulator Application**

### STEP-UP (BOOST) REGULATOR

Figure 11 shows the LM1577-ADJ/LM2577-ADJ used as a Step-Up Regulator. This is a switching regulator used for producing an output voltage greater than the input supply voltage. The LM1577-12/LM2577-12 and LM1577-15/LM2577-15 can also be used for step-up regulators with 12V or 15V outputs (respectively), by tying the feedback pin directly to the regulator output.

A basic explanation of how it works is as follows. The LM1577/LM2577 turns its output switch on and off at a frequency of 52 kHz, and this creates energy in the inductor (L). When the NPN switch turns on, the inductor current charges up at a rate of  $V_{IN}/L$ , storing current in the inductor. When the switch turns off, the lower end of the inductor flies above  $V_{IN}$ , discharging its current through diode (D) into the output capacitor (C<sub>OUT</sub>) at a rate of  $(V_{OUT} - V_{IN})/L$ . Thus, energy stored in the inductor during the switch on time is transferred to the output during the switch off time. The output voltage is controlled by the amount of energy transferred which, in turn, is controlled by modulating the peak inductor current. This is done by feeding back a portion of the output voltage to the error amp, which amplifies the difference between the feedback voltage and a 1.230V reference. The error amp output voltage is compared to a voltage proportional to the switch current (i.e., inductor current during the switch on time).

The comparator terminates the switch on time when the two voltages are equal, thereby controlling the peak switch current to maintain a constant output voltage.

Voltage and current waveforms for this circuit are shown in Figure 12, and formulas for calculating them are given in Table 1.

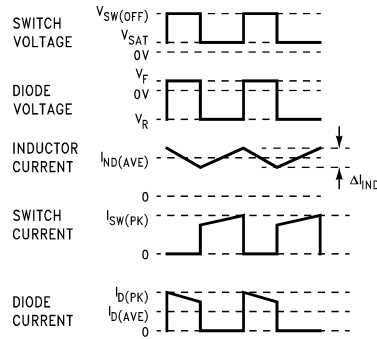


Figure 12. Step-Up Regulator Waveforms

Table 1. Step-Up Regulator Formulas

Duty Cycle	D	$\frac{V_{OUT} + V_F - V_{IN}}{V_{OUT} + V_F - V_{SAT}} \approx \frac{V_{OUT} - V_{IN}}{V_{OUT}}$
Average Inductor Current	$I_{IND(AVE)}$	$\frac{I_{LOAD}}{1 - D}$
Inductor Current Ripple	$\Delta I_{IND}$	$\frac{V_{IN} - V_{SAT}}{L} \cdot \frac{D}{52,000}$
Peak Inductor Current	$I_{IND(PK)}$	$\frac{I_{LOAD(max)}}{1 - D_{(max)}} + \frac{\Delta I_{IND}}{2}$
Peak Switch Current	$I_{SW(PK)}$	$\frac{I_{LOAD(max)}}{1 - D_{(max)}} + \frac{\Delta I_{IND}}{2}$
Switch Voltage When Off	$V_{SW(OFF)}$	$V_{OUT} + V_F$
Diode Reverse Voltage	$V_R$	$V_{OUT} - V_{SAT}$
Average Diode Current	$I_{D(AVE)}$	$I_{LOAD}$
Peak Diode Current	$I_{D(PK)}$	$\frac{I_{LOAD}}{1 - D_{(max)}} + \frac{\Delta I_{IND}}{2}$
Power Dissipation of LM1577/2577	$P_D$	$0.25\Omega \left(\frac{I_{LOAD}}{1 - D}\right)^2 D + \frac{I_{LOAD} D V_{IN}}{50(1 - D)}$

## STEP-UP REGULATOR DESIGN PROCEDURE

The following design procedure can be used to select the appropriate external components for the circuit in Figure 11, based on these system requirements.

### Given:

$V_{IN(min)}$  = Minimum input supply voltage

$V_{OUT}$  = Regulated output voltage

$I_{LOAD(max)}$  = Maximum output load current

Before proceeding any further, determine if the LM1577/LM2577 can provide these values of  $V_{OUT}$  and  $I_{LOAD(max)}$  when operating with the minimum value of  $V_{IN}$ . The upper limits for  $V_{OUT}$  and  $I_{LOAD(max)}$  are given by the following equations.

$$V_{OUT} \leq 60V$$

and  $V_{OUT} \leq 10 \times V_{IN(min)}$

$$I_{LOAD(max)} \leq \frac{2.1A \times V_{IN(min)}}{V_{OUT}}$$

(8)

These limits must be greater than or equal to the values specified in this application.

### 1. Inductor Selection (L)

#### A. Voltage Options:

#### 1. For 12V or 15V output



From **Figure 13** (for 12V output) or **Figure 14** (for 15V output), identify inductor code for region indicated by  $V_{IN(min)}$  and  $I_{LOAD(max)}$ . The shaded region indicates conditions for which the LM1577/LM2577 output switch would be operating beyond its switch current rating. The minimum operating voltage for the LM1577/LM2577 is 3.5V.

From here, **proceed to step C**.

**2. For Adjustable version**

**Preliminary calculations:**

The inductor selection is based on the calculation of the following three parameters:

$D_{(max)}$ , the maximum switch duty cycle ( $0 \leq D \leq 0.9$ ):

$$D_{(max)} = \frac{V_{OUT} + V_F - V_{IN(min)}}{V_{OUT} + V_F - 0.6V} \quad (9)$$

where  $V_F = 0.5V$  for Schottky diodes and  $0.8V$  for fast recovery diodes (typically);

$E \cdot T$ , the product of volts  $\times$  time that charges the inductor:

$$E \cdot T = \frac{D_{(max)} (V_{IN(min)} - 0.6V) 10^6}{52,000 \text{ Hz}} \quad (V \cdot \mu s) \quad (10)$$

$I_{IND,DC}$ , the average inductor current under full load;

$$I_{IND,DC} = \frac{1.05 \times I_{LOAD(max)}}{1 - D_{(max)}} \quad (11)$$

**B. Identify Inductor Value:**

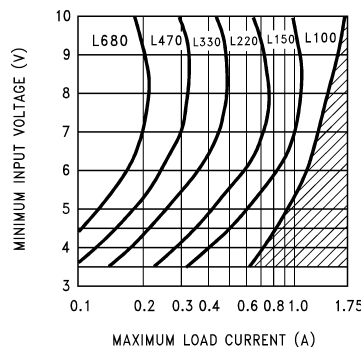
1. From **Figure 15**, identify the inductor code for the region indicated by the intersection of  $E \cdot T$  and  $I_{IND,DC}$ . This code gives the inductor value in microhenries. The L or H prefix signifies whether the inductor is rated for a maximum  $E \cdot T$  of  $90 V \cdot \mu s$  (L) or  $250 V \cdot \mu s$  (H).

2. If  $D < 0.85$ , go on to step C. If  $D \geq 0.85$ , then calculate the minimum inductance needed to ensure the switching regulator's stability:

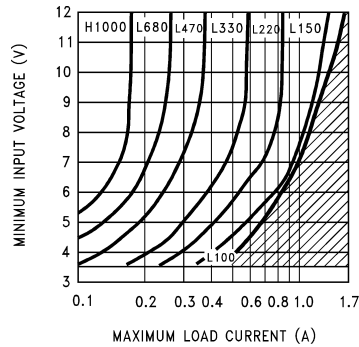
$$L_{MIN} = \frac{6.4 (V_{IN(min)} - 0.6V) (2D_{(max)} - 1)}{1 - D_{(max)}} \quad (\mu H) \quad (12)$$

If  $L_{MIN}$  is smaller than the inductor value found in step B1, go on to step C. Otherwise, the inductor value found in step B1 is too low; an appropriate inductor code should be obtained from the graph as follows:

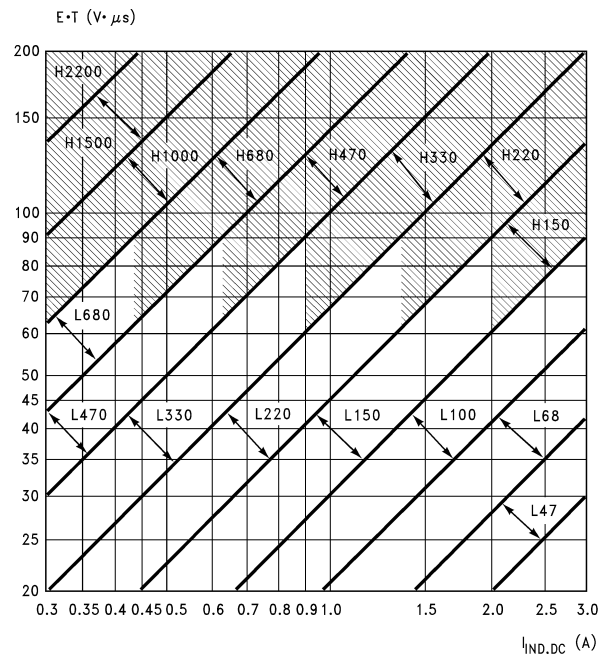
1. Find the lowest value inductor that is greater than  $L_{MIN}$ .
2. Find where  $E \cdot T$  intersects this inductor value to determine if it has an L or H prefix. If  $E \cdot T$  intersects both the L and H regions, select the inductor with an H prefix.



**Figure 13. LM2577-12 Inductor Selection Guide**



**Figure 14. LM2577-15 Inductor Selection Guide**



**Note:** These charts assume that the inductor ripple current inductor is approximately 20% to 30% of the average inductor current (when the regulator is under full load). Greater ripple current causes higher peak switch currents and greater output ripple voltage; lower ripple current is achieved with larger-value inductors. The factor of 20 to 30% is chosen as a convenient balance between the two extremes.

**Figure 15. LM1577-ADJ/LM2577-ADJ Inductor Selection Graph**

- C.** Select an inductor from the table of [Table 2](#) which cross-references the inductor codes to the part numbers of three different manufacturers. Complete specifications for these inductors are available from the respective manufacturers. The inductors listed in this table have the following characteristics:
- AIE:* ferrite, pot-core inductors; Benefits of this type are low electro-magnetic interference (EMI), small physical size, and very low power dissipation (core loss). Be careful not to operate these inductors too far beyond their maximum ratings for  $E \cdot T$  and peak current, as this will saturate the core.
  - Pulse:* powdered iron, toroid core inductors; Benefits are low EMI and ability to withstand  $E \cdot T$  and peak current above rated value better than ferrite cores.
  - Renco:* ferrite, bobbin-core inductors; Benefits are low cost and best ability to withstand  $E \cdot T$  and peak current above rated value. Be aware that these inductors generate more EMI than the other types, and this may interfere with signals sensitive to noise.

**Table 2. Table of Standardized Inductors and Manufacturer's Part Numbers**

Inductor Code	Manufacturer's Part Number		
	Schott	Pulse	Renco
L47	67126980	PE - 53112	RL2442
L68	67126990	PE - 92114	RL2443
L100	67127000	PE - 92108	RL2444
L150	67127010	PE - 53113	RL1954
L220	67127020	PE - 52626	RL1953
L330	67127030	PE - 52627	RL1952
L470	67127040	PE - 53114	RL1951
L680	67127050	PE - 52629	RL1950
H150	67127060	PE - 53115	RL2445
H220	67127070	PE - 53116	RL2446
H330	67127080	PE - 53117	RL2447
H470	67127090	PE - 53118	RL1961
H680	67127100	PE - 53119	RL1960
H1000	67127110	PE - 53120	RL1959
H1500	67127120	PE - 53121	RL1958
H2200	67127130	PE - 53122	RL2448

## 2. Compensation Network ( $R_C$ , $C_C$ ) and Output Capacitor ( $C_{OUT}$ ) Selection

$R_C$  and  $C_C$  form a pole-zero compensation network that stabilizes the regulator. The values of  $R_C$  and  $C_C$  are mainly dependant on the regulator voltage gain,  $I_{LOAD(max)}$ ,  $L$  and  $C_{OUT}$ . The following procedure calculates values for  $R_C$ ,  $C_C$ , and  $C_{OUT}$  that ensure regulator stability. Be aware that this procedure doesn't necessarily result in  $R_C$  and  $C_C$  that provide optimum compensation. In order to guarantee optimum compensation, one of the standard procedures for testing loop stability must be used, such as measuring  $V_{OUT}$  transient response when pulsing  $I_{LOAD}$  (see [Figure 18](#)).

A. First, calculate the maximum value for  $R_C$ .

$$R_C \leq \frac{750 \times I_{LOAD(max)} \times V_{OUT}^2}{V_{IN(min)}^2} \quad (13)$$

Select a resistor less than or equal to this value, and it should also be no greater than 3 k $\Omega$ .

B. Calculate the minimum value for  $C_{OUT}$  using the following two equations.

$$C_{OUT} \geq \frac{0.19 \times L \times R_C \times I_{LOAD(max)}}{V_{IN(min)} \times V_{OUT}}$$

and

$$C_{OUT} \geq \frac{V_{IN(min)} \times R_C \times (V_{IN(min)} + (3.74 \times 10^5 \times L))}{487,800 \times V_{OUT}^3} \quad (14)$$

The larger of these two values is the minimum value that ensures stability.

C. Calculate the minimum value of  $C_C$ .

$$C_C \geq \frac{58.5 \times V_{OUT}^2 \times C_{OUT}}{R_C^2 \times V_{IN(min)}} \quad (15)$$

The compensation capacitor is also part of the soft start circuitry. When power to the regulator is turned on, the switch duty cycle is allowed to rise at a rate controlled by this capacitor (with no control on the duty cycle, it would immediately rise to 90%, drawing huge currents from the input power supply). In order to operate properly, the soft start circuit requires  $C_C \geq 0.22 \mu\text{F}$ .

The value of the output filter capacitor is normally large enough to require the use of aluminum electrolytic capacitors. [Table 3](#) lists several different types that are recommended for switching regulators, and the following parameters are used to select the proper capacitor.

**Working Voltage (WVDC):** Choose a capacitor with a working voltage at least 20% higher than the regulator output voltage.

**Ripple Current:** This is the maximum RMS value of current that charges the capacitor during each switching cycle. For step-up and flyback regulators, the formula for ripple current is

$$I_{\text{RIPPLE(RMS)}} = \frac{I_{\text{LOAD(max)}} \times D_{\text{(max)}}}{1 - D_{\text{(max)}}} \quad (16)$$

Choose a capacitor that is rated at least 50% higher than this value at 52 kHz.

**Equivalent Series Resistance (ESR) :** This is the primary cause of output ripple voltage, and it also affects the values of  $R_C$  and  $C_C$  needed to stabilize the regulator. As a result, the preceding calculations for  $C_C$  and  $R_C$  are only valid if ESR doesn't exceed the maximum value specified by the following equations.

$$ESR \leq \frac{0.01 \times V_{\text{OUT}}}{I_{\text{RIPPLE(P-P)}}} \text{ and } \leq \frac{8.7 \times (10) - 3 \times V_{\text{IN}}}{I_{\text{LOAD(max)}}}$$

where

$$I_{\text{RIPPLE(P-P)}} = \frac{1.15 \times I_{\text{LOAD(max)}}}{1 - D_{\text{(max)}}} \quad (17)$$

Select a capacitor with ESR, at 52 kHz, that is less than or equal to the lower value calculated. Most electrolytic capacitors specify ESR at 120 Hz which is 15% to 30% higher than at 52 kHz. Also, be aware that ESR increases by a factor of 2 when operating at  $-20^\circ\text{C}$ .

In general, low values of ESR are achieved by using large value capacitors ( $C \geq 470 \mu\text{F}$ ), and capacitors with high WVDC, or by paralleling smaller-value capacitors.

### 3. Output Voltage Selection (R1 and R2)

This section is for applications using the LM1577-ADJ/LM2577-ADJ. Skip this section if the LM1577-12/LM2577-12 or LM1577-15/LM2577-15 is being used.

With the LM1577-ADJ/LM2577-ADJ, the output voltage is given by

$$V_{\text{OUT}} = 1.23\text{V} (1 + R1/R2) \quad (18)$$

Resistors R1 and R2 divide the output down so it can be compared with the LM1577-ADJ/LM2577-ADJ internal 1.23V reference. For a given desired output voltage  $V_{\text{OUT}}$ , select R1 and R2 so that

$$\frac{R1}{R2} = \frac{V_{\text{OUT}}}{1.23\text{V}} - 1 \quad (19)$$

### 4. Input Capacitor Selection ( $C_{\text{IN}}$ )

The switching action in the step-up regulator causes a triangular ripple current to be drawn from the supply source. This in turn causes noise to appear on the supply voltage. For proper operation of the LM1577, the input voltage should be decoupled. Bypassing the Input Voltage pin directly to ground with a good quality, low ESR, 0.1  $\mu\text{F}$  capacitor (leads as short as possible) is normally sufficient.

**Table 3. Aluminum Electrolytic Capacitors Recommended for Switching Regulators**

<b>Cornell Dublier</b> —Types 239, 250, 251, UFT, 300, or 350	
	P.O. Box 128, Pickens, SC 29671 (803) 878-6311
<b>Nichicon</b> —Types PF, PX, or PZ	
	927 East Parkway, Schaumburg, IL 60173 (708) 843-7500
<b>Sprague</b> —Types 672D, 673D, or 674D	
	Box 1, Sprague Road, Lansing, NC 28643 (919) 384-2551
<b>United Chemi-Con</b> —Types LX, SXF, or SXJ	
	9801 West Higgins Road, Rosemont, IL 60018 (708) 696-2000

If the LM1577 is located far from the supply source filter capacitors, an additional large electrolytic capacitor (e.g. 47  $\mu$ F) is often required.

### 5. Diode Selection (D)

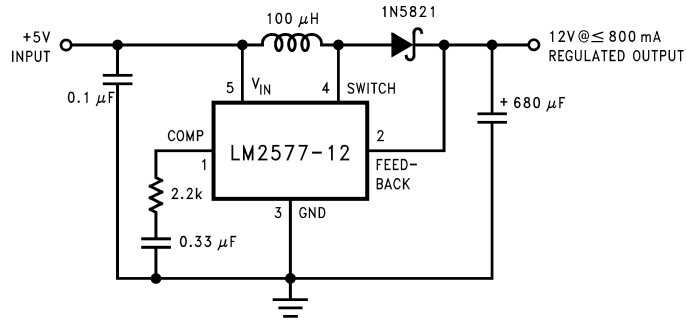
The switching diode used in the boost regulator must withstand a reverse voltage equal to the circuit output voltage, and must conduct the peak output current of the LM2577. A suitable diode must have a minimum reverse breakdown voltage greater than the circuit output voltage, and should be rated for average and peak current greater than  $I_{LOAD(max)}$  and  $I_{D(PK)}$ . Schottky barrier diodes are often favored for use in switching regulators. Their low forward voltage drop allows higher regulator efficiency than if a (less expensive) fast recovery diode was used. See [Table 4](#) for recommended part numbers and voltage ratings of 1A and 3A diodes.

**Table 4. Diode Selection Chart**

$V_{OUT}$ (max)	Schottky		Fast Recovery	
	1A	3A	1A	3A
20V	1N5817	1N5820		
	MBR120P	MBR320P		
30V	1N5818	1N5821		
	MBR130P	MBR330P		
40V	11DQ03	31DQ03		
	1N5819	1N5822		
50V	MBR140P	MBR340P		
	11DQ04	31DQ04		
100V	MBR150	MBR350	1N4933	
	11DQ05	31DQ05	MUR105	
			1N4934	MR851
			HER102	30DL1
			MUR110	MR831
			10DL1	HER302

### BOOST REGULATOR CIRCUIT EXAMPLE

By adding a few external components (as shown in [Figure 16](#)), the LM2577 can be used to produce a regulated output voltage that is greater than the applied input voltage. Typical performance of this regulator is shown in [Figure 17](#) and [Figure 18](#). The switching waveforms observed during the operation of this circuit are shown in [Figure 19](#).



Note: Pin numbers shown are for TO-220 (T) package.

Figure 16. Step-up Regulator Delivers 12V from a 5V Input

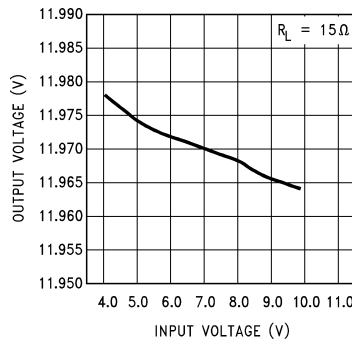
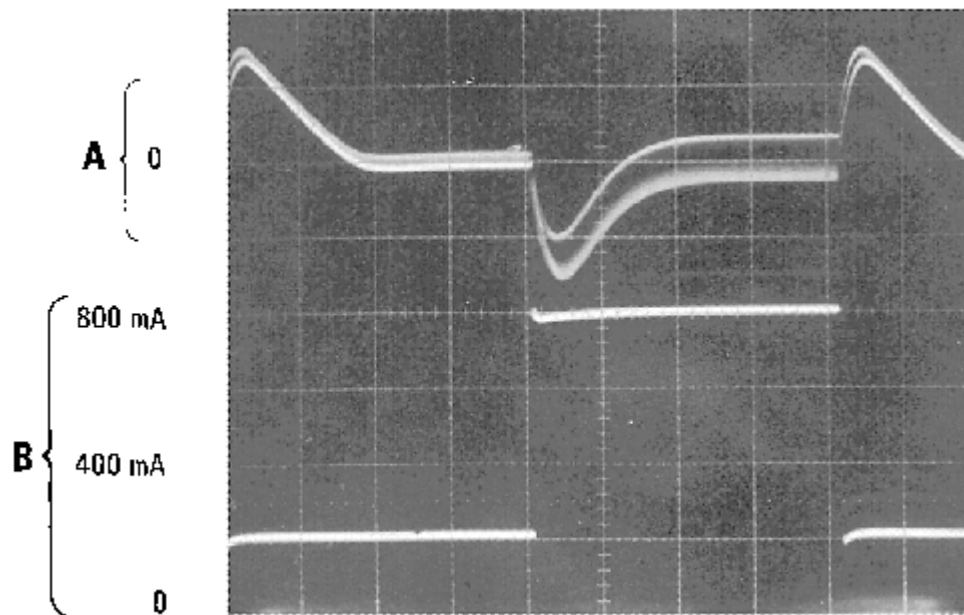
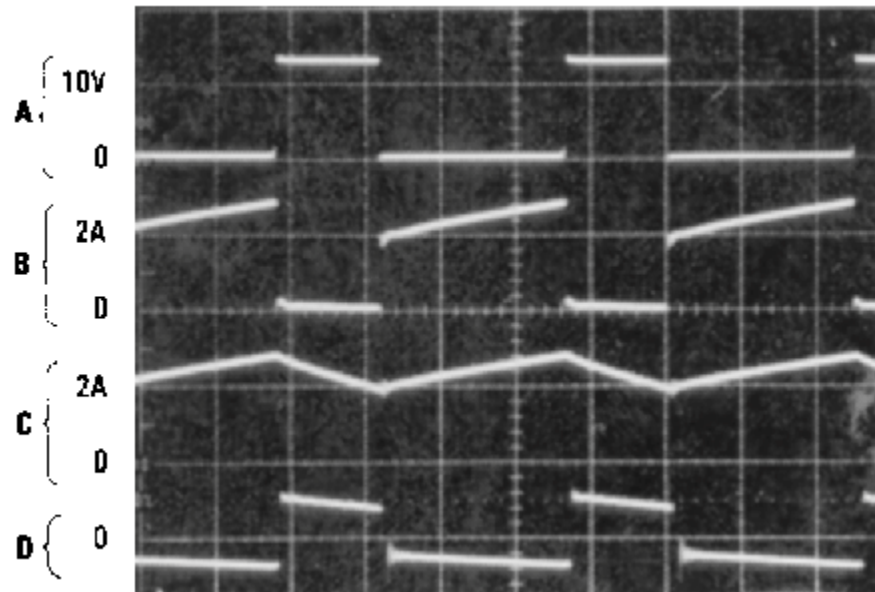


Figure 17. Line Regulation (Typical) of Step-Up Regulator of Figure 16



A: Output Voltage Change, 100 mV/div. (AC-coupled)  
 B: Load current, 0.2 A/div  
 Horizontal: 5 ms/div

Figure 18. Load Transient Response of Step-Up Regulator of Figure 16



A: Switch pin voltage, 10 V/div  
 B: Switch pin current, 2 A/div  
 C: Inductor current, 2 A/div  
 D: Output ripple voltage, 100 mV/div (AC-coupled)  
 Horizontal: 5  $\mu$ s/div

**Figure 19. Switching Waveforms of Step-Up Regulator of Figure 16**

## FLYBACK REGULATOR

A Flyback regulator can produce single or multiple output voltages that are lower or greater than the input supply voltage. Figure 21 shows the LM1577/LM2577 used as a flyback regulator with positive and negative regulated outputs. Its operation is similar to a step-up regulator, except the output switch controls the primary current of a flyback transformer. Note that the primary and secondary windings are out of phase, so no current flows through secondary when current flows through the primary. This allows the primary to charge up the transformer core when the switch is on. When the switch turns off, the core discharges by sending current through the secondary, and this produces voltage at the outputs. The output voltages are controlled by adjusting the peak primary current, as described in the step-up regulator section.

Voltage and current waveforms for this circuit are shown in Figure 20, and formulas for calculating them are given in Figure 22.

## FLYBACK REGULATOR DESIGN PROCEDURE

### 1. Transformer Selection

A family of standardized flyback transformers is available for creating flyback regulators that produce dual output voltages, from  $\pm 10V$  to  $\pm 15V$ , as shown in Figure 21. Table 5 lists these transformers with the input voltage, output voltages and maximum load current they are designed for.

### 2. Compensation Network ( $C_C$ , $R_C$ ) and Output Capacitor ( $C_{OUT}$ ) Selection

As explained in the Step-Up Regulator Design Procedure,  $C_C$ ,  $R_C$  and  $C_{OUT}$  must be selected as a group. The following procedure is for a dual output flyback regulator with equal turns ratios for each secondary (i.e., both output voltages have the same magnitude). The equations can be used for a single output regulator by changing  $\sum I_{LOAD(max)}$  to  $I_{LOAD(max)}$  in the following equations.

**A. First, calculate the maximum value for  $R_C$ .**

$$R_C \leq \frac{750 \times \Sigma I_{LOAD(max)} \times (15V + V_{IN(min)}N)^2}{V_{IN(min)}^2} \tag{20}$$

Where  $\Sigma I_{LOAD(max)}$  is the sum of the load current (magnitude) required from both outputs. Select a resistor less than or equal to this value, and no greater than 3 k $\Omega$ .

**B. Calculate the minimum value for  $\Sigma C_{OUT}$**  (sum of  $C_{OUT}$  at both outputs) using the following two equations.

$$C_{OUT} \geq \frac{0.19 \times R_C \times L_P \times \Sigma I_{LOAD(max)}}{15V \times V_{IN(min)}}$$

and

$$C_{OUT} \geq \frac{V_{IN(min)} \times R_C \times N^2 \times (V_{IN(min)} + (3.74 \times 10^5 \times L_P))}{487,800 \times (15V)^2 \times (15V + V_{IN(min)} \times N)} \tag{21}$$

The larger of these two values must be used to ensure regulator stability.

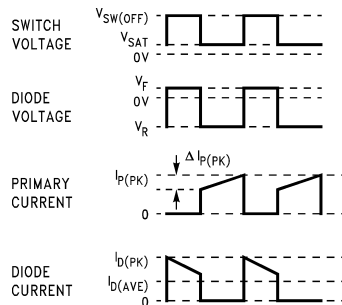
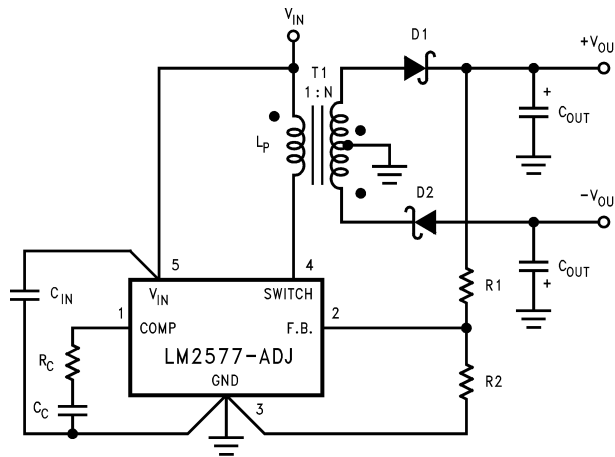


Figure 20. Flyback Regulator Waveforms



T1 = Pulse Engineering, PE-65300  
D1, D2 = 1N5821

Figure 21. LM1577-ADJ/LM2577-ADJ Flyback Regulator with  $\pm$  Outputs

Duty Cycle	D	$\frac{V_{OUT} + V_F}{N(V_{IN} - V_{SAT}) + V_{OUT} + V_F} \approx \frac{V_{OUT}}{N(V_{IN}) + V_{OUT}}$	(22)
Primary Current Variation	$\Delta I_P$	$\frac{D(V_{IN} - V_{SAT})}{L_P \times 52,000}$	(23)
Peak Primary Current	$I_{P(PK)}$	$\frac{N}{\eta} \times \frac{\Sigma I_{LOAD}}{1 - D} + \frac{\Delta I_{PK}}{2}$	(24)



Switch Voltage when Off	$V_{SW(OFF)}$	$V_{IN} + \frac{V_{OUT} + V_F}{N}$ (25)
Diode Reverse Voltage	$V_R$	$V_{OUT} + N (V_{IN} - V_{SAT})$
Average Diode Current	$I_{D(AVE)}$	$I_{LOAD}$
Peak Diode Current	$I_{D(PK)}$	$\frac{I_{LOAD}}{1 - D} + \frac{\Delta I_{IND}}{2}$ (26)
Short Circuit Diode Current		$\approx \frac{6A}{N}$ (27)
Power Dissipation of LM1577/LM2577	$P_D$	$0.25\Omega \left( \frac{N \Sigma I_{LOAD}}{1 - D} \right)^2 + \frac{N I_{LOAD} D}{50 (1 - D)} V_{IN}$ (28)

$$N = \text{Transformer Turns Ratio} = \frac{\text{number of secondary turns}}{\text{number of primary turns}}$$

$$\eta = \text{Transformer Efficiency (typically 0.95)}$$

$$\Sigma I_{LOAD} = |I_{LOAD}| + |-I_{LOAD}|$$

**Figure 22. Flyback Regulator Formulas**

### C. Calculate the minimum value of $C_C$

$$C_C \geq \frac{58.5 \times C_{OUT} \times V_{OUT} \times (V_{OUT} + (V_{IN(min)} \times N))}{R_C^2 \times V_{IN(min)} \times N} \quad (29)$$

### D. Calculate the maximum ESR of the $+V_{OUT}$ and $-V_{OUT}$ output capacitors in parallel.

$$ESR + ||ESR \leq \frac{8.7 \times 10^{-3} \times V_{IN(min)} \times V_{OUT} \times N}{\Sigma I_{LOAD(max)} \times (V_{OUT} + (V_{IN(min)} \times N))} \quad (30)$$

This formula can also be used to calculate the maximum ESR of a single output regulator.

At this point, refer to this same section in the **Step-Up Regulator Design Procedure** for more information regarding the selection of  $C_{OUT}$ .

## 3. Output Voltage Selection

This section is for applications using the LM1577-ADJ/LM2577-ADJ. Skip this section if the LM1577-12/LM2577-12 or LM1577-15/LM2577-15 is being used.

With the LM1577-ADJ/LM2577-ADJ, the output voltage is given by

$$V_{OUT} = 1.23V (1 + R1/R2) \quad (31)$$

Resistors R1 and R2 divide the output voltage down so it can be compared with the LM1577-ADJ/LM2577-ADJ internal 1.23V reference. For a desired output voltage  $V_{OUT}$ , select R1 and R2 so that

$$\frac{R1}{R2} = \frac{V_{OUT}}{1.23V} - 1 \quad (32)$$

## 4. Diode Selection

The switching diode in a flyback converter must withstand the reverse voltage specified by the following equation.

$$V_R = V_{OUT} + \frac{V_{IN}}{N} \quad (33)$$

A suitable diode must have a reverse voltage rating greater than this. In addition it must be rated for more than the average and peak diode currents listed in [Figure 22](#).

## 5. Input Capacitor Selection

The primary of a flyback transformer draws discontinuous pulses of current from the input supply. As a result, a flyback regulator generates more noise at the input supply than a step-up regulator, and this requires a larger bypass capacitor to decouple the LM1577/LM2577  $V_{IN}$  pin from this noise. For most applications, a low ESR, 1.0  $\mu F$  cap will be sufficient, if it is connected very close to the  $V_{IN}$  and Ground pins.

Transformer		Input	Dual	Maximum
Type		Voltage	Output	Output
			Voltage	Current
1	$L_p = 100 \mu\text{H}$ $N = 1$	5V	$\pm 10\text{V}$	325 mA
		5V	$\pm 12\text{V}$	275 mA
		5V	$\pm 15\text{V}$	225 mA
		10V	$\pm 10\text{V}$	700 mA
2	$L_p = 200 \mu\text{H}$ $N = 0.5$	10V	$\pm 12\text{V}$	575 mA
		10V	$\pm 15\text{V}$	500 mA
		12V	$\pm 10\text{V}$	800 mA
		12V	$\pm 12\text{V}$	700 mA
3	$L_p = 250 \mu\text{H}$ $N = 0.5$	12V	$\pm 15\text{V}$	575 mA
		15V	$\pm 10\text{V}$	900 mA
		15V	$\pm 12\text{V}$	825 mA
		15V	$\pm 15\text{V}$	700 mA

Table 5. Flyback Transformer Selection Guide

Transformer Type	Manufacturers' Part Numbers		
	AIE	Pulse	Renco
1	326-0637	PE-65300	RL-2580
2	330-0202	PE-65301	RL-2581
3	330-0203	PE-65302	RL-2582

In addition to this bypass cap, a larger capacitor ( $\geq 47 \mu\text{F}$ ) should be used where the flyback transformer connects to the input supply. This will attenuate noise which may interfere with other circuits connected to the same input supply voltage.

## 6. Snubber Circuit

A “snubber” circuit is required when operating from input voltages greater than 10V, or when using a transformer with  $L_p \geq 200 \mu\text{H}$ . This circuit clamps a voltage spike from the transformer primary that occurs immediately after the output switch turns off. Without it, the switch voltage may exceed the 65V maximum rating. As shown in [Figure 23](#), the snubber consists of a fast recovery diode, and a parallel RC. The RC values are selected for switch clamp voltage ( $V_{\text{CLAMP}}$ ) that is 5V to 10V greater than  $V_{\text{SW(OFF)}}$ . Use the following equations to calculate R and C;

$$C \geq \frac{0.02 \times L_p \times I_{\text{P(PK)}}^2}{(V_{\text{CLAMP}})^2 - (V_{\text{SW(OFF)}})^2}$$

$$R \leq \left( \frac{V_{\text{CLAMP}} + V_{\text{SW(OFF)}} - V_{\text{IN}}}{2} \right)^2 \times \left( \frac{19.2 \times 10^{-4}}{L_p \times I_{\text{P(PK)}}^2} \right) \quad (34)$$

Power dissipation (and power rating) of the resistor is;

$$P = \left( \frac{V_{\text{CLAMP}} + V_{\text{SW(OFF)}} - V_{\text{IN}}}{2} \right)^2 / R \quad (35)$$

The fast recovery diode must have a reverse voltage rating greater than  $V_{\text{CLAMP}}$ .

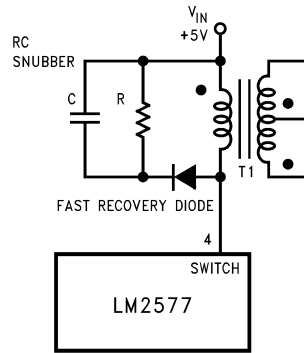
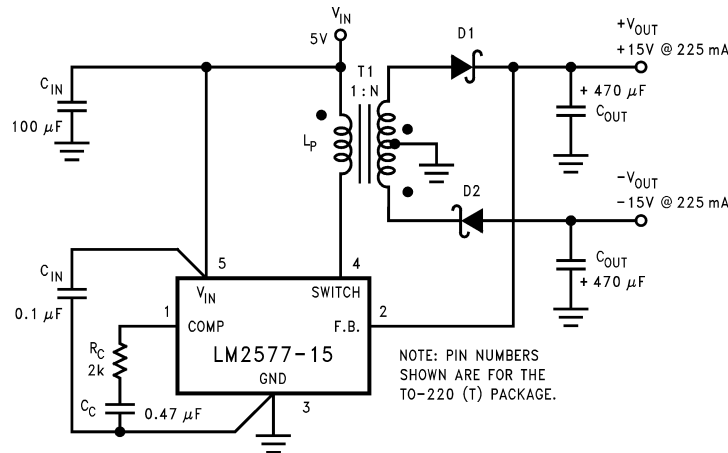


Figure 23. Snubber Circuit

**FLYBACK REGULATOR CIRCUIT EXAMPLE**

The circuit of Figure 24 produces  $\pm 15V$  (at 225 mA each) from a single 5V input. The output regulation of this circuit is shown in Figure 25 and Figure 27, while the load transient response is shown in Figure 26 and Figure 28. Switching waveforms seen in this circuit are shown in Figure 29.



T1 = Pulse Engineering, PE-65300  
D1, D2 = 1N5821

Figure 24. Flyback Regulator Easily Provides Dual Outputs

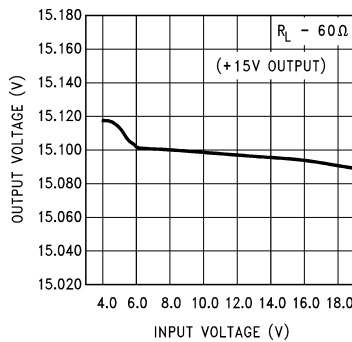
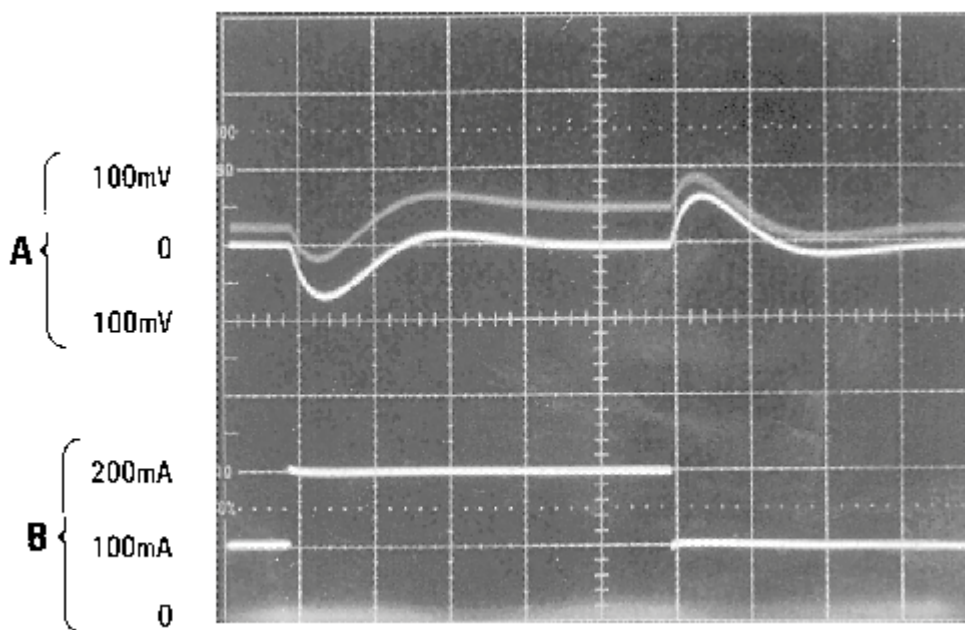
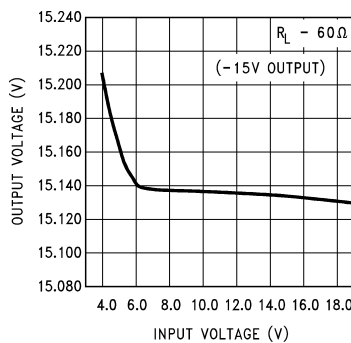


Figure 25. Line Regulation (Typical) of Flyback Regulator of Figure 24, +15V Output

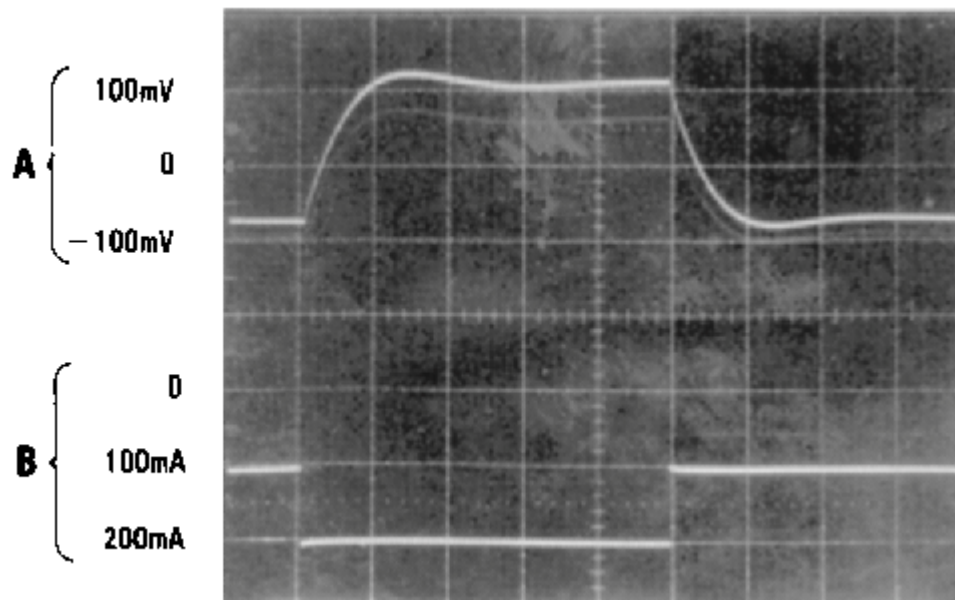


A: Output Voltage Change, 100 mV/div  
 B: Output Current, 100 mA/div  
 Horizontal: 10 ms/div

**Figure 26. Load Transient Response of Flyback Regulator of Figure 24, +15V Output**

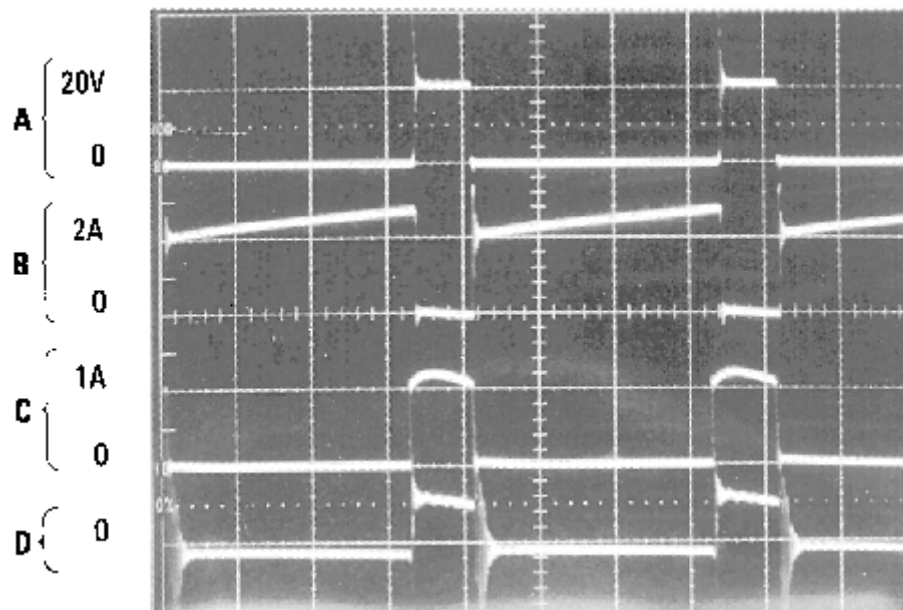


**Figure 27. Line Regulation (Typical) of Flyback Regulator of Figure 24, -15V Output**



A: Output Voltage Change, 100 mV/div  
 B: Output Current, 100 mA/div  
 Horizontal: 10 ms/div

**Figure 28. Load Transient Response of Flyback Regulator of Figure 24, -15V Output**



A: Switch pin voltage, 20 V/div  
 B: Primary current, 2 A/div  
 C: +15V Secondary current, 1 A/div  
 D: +15V Output ripple voltage, 100 mV/div  
 Horizontal: 5  $\mu$ s/div

**Figure 29. Switching Waveforms of Flyback Regulator of Figure 24, Each Output Loaded with 60 $\Omega$**

**PACKAGING INFORMATION**

Orderable Device	Status (1)	Package Type	Package Drawing	Pins	Package Qty	Eco Plan (2)	Lead/Ball Finish	MSL Peak Temp (3)	Samples (Requires Login)
LM2577M-ADJ	ACTIVE	SOIC	DW	24	30	TBD	CU SNPB	Level-3-260C-168 HR	
LM2577M-ADJ/NOPB	ACTIVE	SOIC	DW	24	30	Green (RoHS & no Sb/Br)	CU SN	Level-3-260C-168 HR	
LM2577N-ADJ	ACTIVE	PDIP	NBG	16	20	TBD	CU SNPB	Level-1-NA-UNLIM	
LM2577N-ADJ/NOPB	ACTIVE	PDIP	NBG	16	20	Green (RoHS & no Sb/Br)	CU SN	Level-1-NA-UNLIM	
LM2577S-12	ACTIVE	DDPAK/ TO-263	KTT	5	45	TBD	CU SNPB	Level-3-235C-168 HR	
LM2577S-12/NOPB	ACTIVE	DDPAK/ TO-263	KTT	5	45	Pb-Free (RoHS Exempt)	CU SN	Level-3-245C-168 HR	
LM2577S-ADJ	ACTIVE	DDPAK/ TO-263	KTT	5	45	TBD	CU SNPB	Level-3-235C-168 HR	
LM2577S-ADJ/NOPB	ACTIVE	DDPAK/ TO-263	KTT	5	45	Pb-Free (RoHS Exempt)	CU SN	Level-3-245C-168 HR	
LM2577SX-12	ACTIVE	DDPAK/ TO-263	KTT	5	500	TBD	CU SNPB	Level-3-235C-168 HR	
LM2577SX-12/NOPB	ACTIVE	DDPAK/ TO-263	KTT	5	500	Pb-Free (RoHS Exempt)	CU SN	Level-3-245C-168 HR	
LM2577SX-ADJ	ACTIVE	DDPAK/ TO-263	KTT	5	500	TBD	CU SNPB	Level-3-235C-168 HR	
LM2577SX-ADJ/NOPB	ACTIVE	DDPAK/ TO-263	KTT	5	500	Pb-Free (RoHS Exempt)	CU SN	Level-3-245C-168 HR	
LM2577T-12	ACTIVE	TO-220	KC	5	45	TBD	CU SNPB	Level-1-NA-UNLIM	
LM2577T-12/LB03	ACTIVE	TO-220	NDH	5	45	TBD	CU SNPB	Level-1-NA-UNLIM	
LM2577T-12/LF03	ACTIVE	TO-220	NDH	5	45	Green (RoHS & no Sb/Br)	CU SN	Level-1-NA-UNLIM	
LM2577T-12/NOPB	ACTIVE	TO-220	KC	5	45	Green (RoHS & no Sb/Br)	CU SN	Level-1-NA-UNLIM	
LM2577T-15	ACTIVE	TO-220	KC	5	45	TBD	CU SNPB	Level-1-NA-UNLIM	
LM2577T-15/LB03	ACTIVE	TO-220	NDH	5	45	TBD	CU SNPB	Level-1-NA-UNLIM	
LM2577T-15/NOPB	ACTIVE	TO-220	KC	5	45	Green (RoHS & no Sb/Br)	CU SN	Level-1-NA-UNLIM	
LM2577T-ADJ	ACTIVE	TO-220	KC	5	45	TBD	CU SNPB	Level-1-NA-UNLIM	

Orderable Device	Status (1)	Package Type	Package Drawing	Pins	Package Qty	Eco Plan (2)	Lead/Ball Finish	MSL Peak Temp (3)	Samples (Requires Login)
LM2577T-ADJ/LB02	ACTIVE			5	45	TBD	CU SNPB	Level-1-NA-UNLIM	
LM2577T-ADJ/LB03	ACTIVE	TO-220	NDH	5	45	TBD	CU SNPB	Level-1-NA-UNLIM	
LM2577T-ADJ/LF03	ACTIVE	TO-220	NDH	5	45	Green (RoHS & no Sb/Br)	CU SN	Level-1-NA-UNLIM	
LM2577T-ADJ/NOPB	ACTIVE	TO-220	KC	5	45	Pb-Free (RoHS Exempt)	CU SN	Level-1-NA-UNLIM	

(1) The marketing status values are defined as follows:

**ACTIVE:** Product device recommended for new designs.

**LIFEBUY:** TI has announced that the device will be discontinued, and a lifetime-buy period is in effect.

**NRND:** Not recommended for new designs. Device is in production to support existing customers, but TI does not recommend using this part in a new design.

**PREVIEW:** Device has been announced but is not in production. Samples may or may not be available.

**OBSOLETE:** TI has discontinued the production of the device.

(2) Eco Plan - The planned eco-friendly classification: Pb-Free (RoHS), Pb-Free (RoHS Exempt), or Green (RoHS & no Sb/Br) - please check <http://www.ti.com/productcontent> for the latest availability information and additional product content details.

**TBD:** The Pb-Free/Green conversion plan has not been defined.

**Pb-Free (RoHS):** TI's terms "Lead-Free" or "Pb-Free" mean semiconductor products that are compatible with the current RoHS requirements for all 6 substances, including the requirement that lead not exceed 0.1% by weight in homogeneous materials. Where designed to be soldered at high temperatures, TI Pb-Free products are suitable for use in specified lead-free processes.

**Pb-Free (RoHS Exempt):** This component has a RoHS exemption for either 1) lead-based flip-chip solder bumps used between the die and package, or 2) lead-based die adhesive used between the die and leadframe. The component is otherwise considered Pb-Free (RoHS compatible) as defined above.

**Green (RoHS & no Sb/Br):** TI defines "Green" to mean Pb-Free (RoHS compatible), and free of Bromine (Br) and Antimony (Sb) based flame retardants (Br or Sb do not exceed 0.1% by weight in homogeneous material)

(3) MSL, Peak Temp. -- The Moisture Sensitivity Level rating according to the JEDEC industry standard classifications, and peak solder temperature.

**Important Information and Disclaimer:** The information provided on this page represents TI's knowledge and belief as of the date that it is provided. TI bases its knowledge and belief on information provided by third parties, and makes no representation or warranty as to the accuracy of such information. Efforts are underway to better integrate information from third parties. TI has taken and continues to take reasonable steps to provide representative and accurate information but may not have conducted destructive testing or chemical analysis on incoming materials and chemicals. TI and TI suppliers consider certain information to be proprietary, and thus CAS numbers and other limited information may not be available for release.

In no event shall TI's liability arising out of such information exceed the total purchase price of the TI part(s) at issue in this document sold by TI to Customer on an annual basis.

**TAPE AND REEL INFORMATION**

**QUADRANT ASSIGNMENTS FOR PIN 1 ORIENTATION IN TAPE**


\*All dimensions are nominal

Device	Package Type	Package Drawing	Pins	SPQ	Reel Diameter (mm)	Reel Width W1 (mm)	A0 (mm)	B0 (mm)	K0 (mm)	P1 (mm)	W (mm)	Pin1 Quadrant
LM2577SX-12	DDPAK/ TO-263	KTT	5	500	330.0	24.4	10.75	14.85	5.0	16.0	24.0	Q2
LM2577SX-12/NOPB	DDPAK/ TO-263	KTT	5	500	330.0	24.4	10.75	14.85	5.0	16.0	24.0	Q2
LM2577SX-ADJ	DDPAK/ TO-263	KTT	5	500	330.0	24.4	10.75	14.85	5.0	16.0	24.0	Q2
LM2577SX-ADJ/NOPB	DDPAK/ TO-263	KTT	5	500	330.0	24.4	10.75	14.85	5.0	16.0	24.0	Q2



**TAPE AND REEL BOX DIMENSIONS**


\*All dimensions are nominal

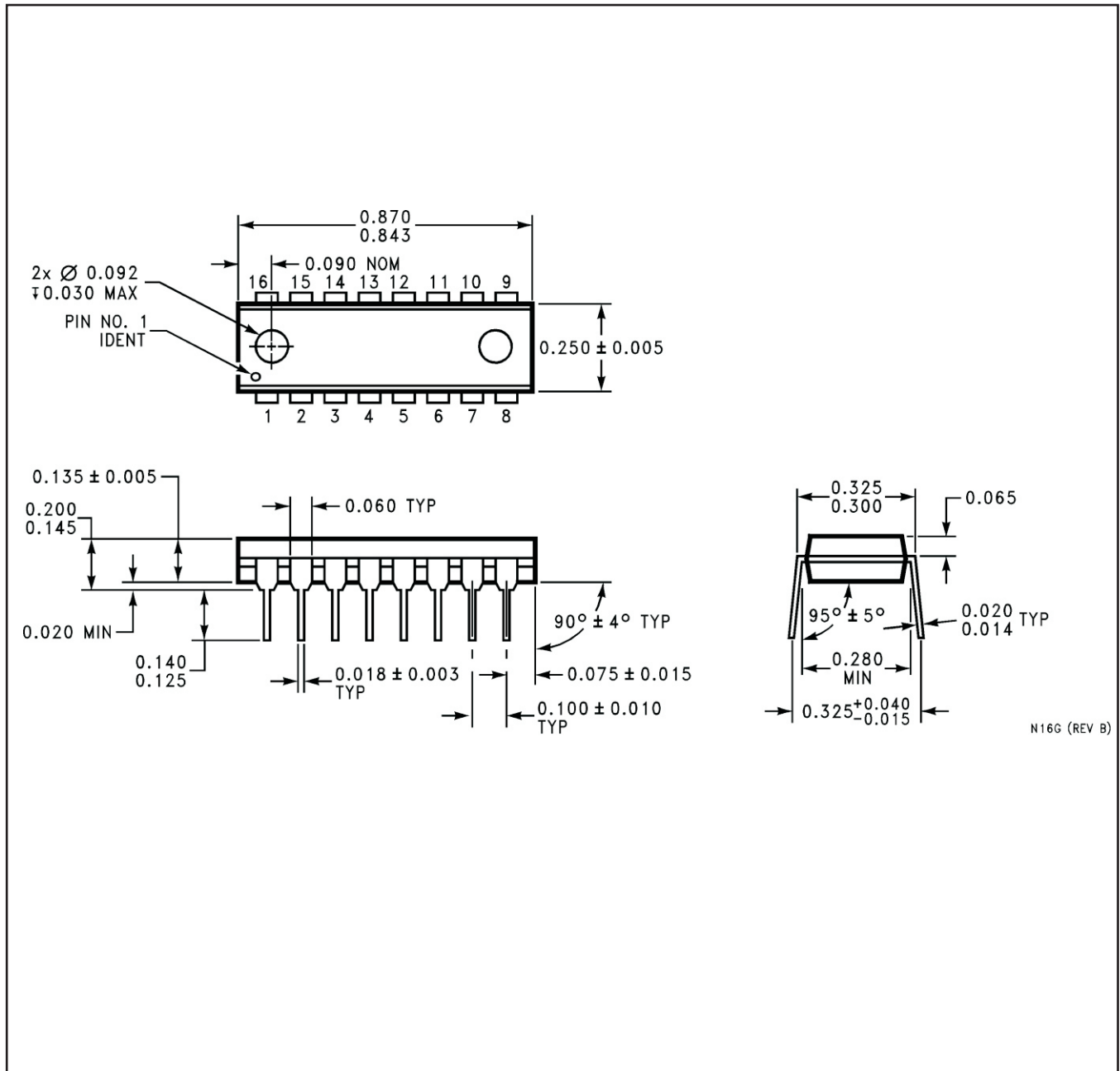
Device	Package Type	Package Drawing	Pins	SPQ	Length (mm)	Width (mm)	Height (mm)
LM2577SX-12	DDPAK/TO-263	KTT	5	500	358.0	343.0	63.0
LM2577SX-12/NOPB	DDPAK/TO-263	KTT	5	500	358.0	343.0	63.0
LM2577SX-ADJ	DDPAK/TO-263	KTT	5	500	358.0	343.0	63.0
LM2577SX-ADJ/NOPB	DDPAK/TO-263	KTT	5	500	358.0	343.0	63.0

NDH0005D



T05D (REV A)

NBG0016G



N16G (REV B)

DW (R-PDSO-G24)

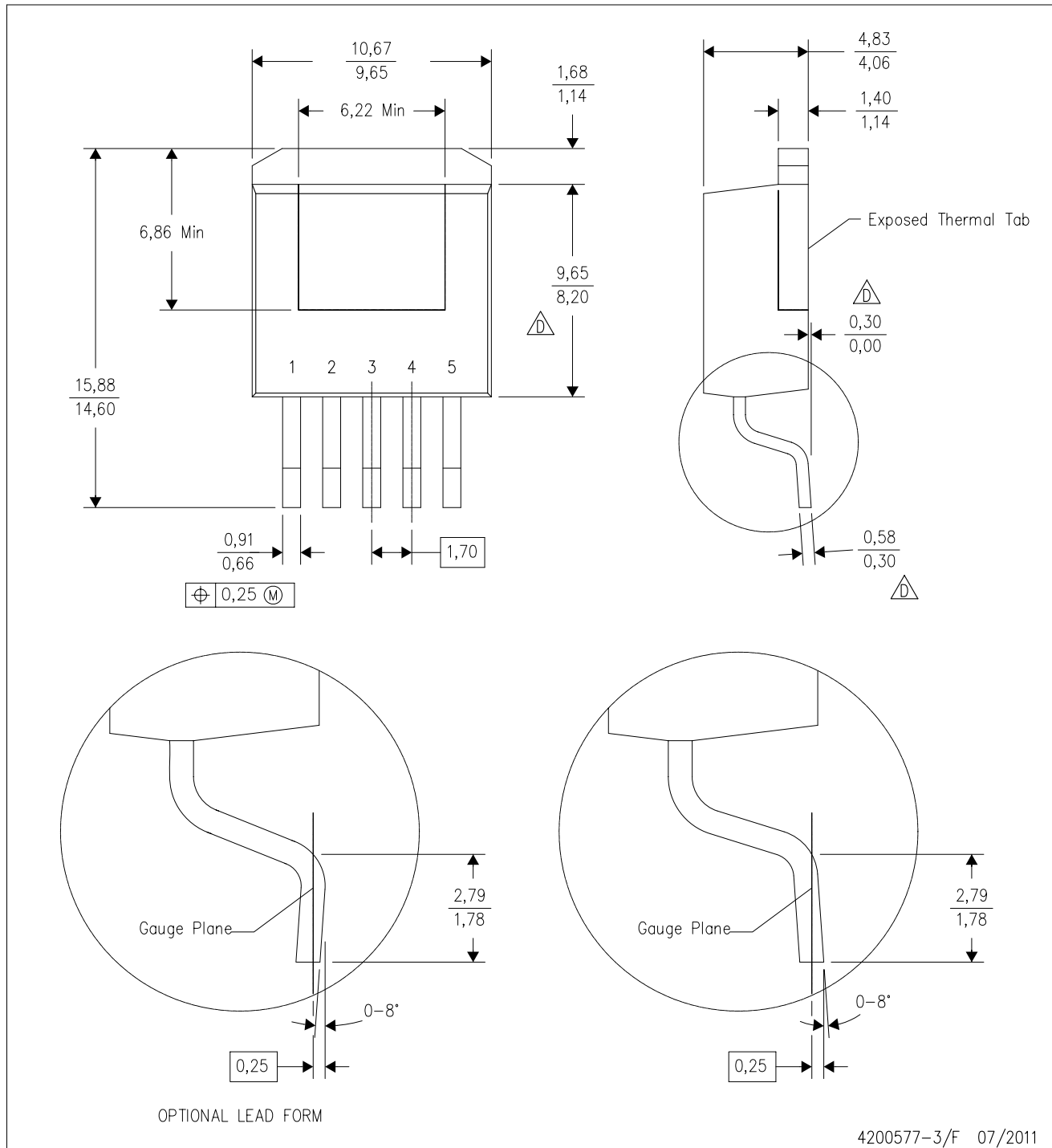
PLASTIC SMALL OUTLINE



- NOTES:
- A. All linear dimensions are in inches (millimeters). Dimensioning and tolerancing per ASME Y14.5M-1994.
  - B. This drawing is subject to change without notice.
  - C. Body dimensions do not include mold flash or protrusion not to exceed 0.006 (0,15).
  - D. Falls within JEDEC MS-013 variation AD.

KTT (R-PSFM-G5)

PLASTIC FLANGE-MOUNT PACKAGE



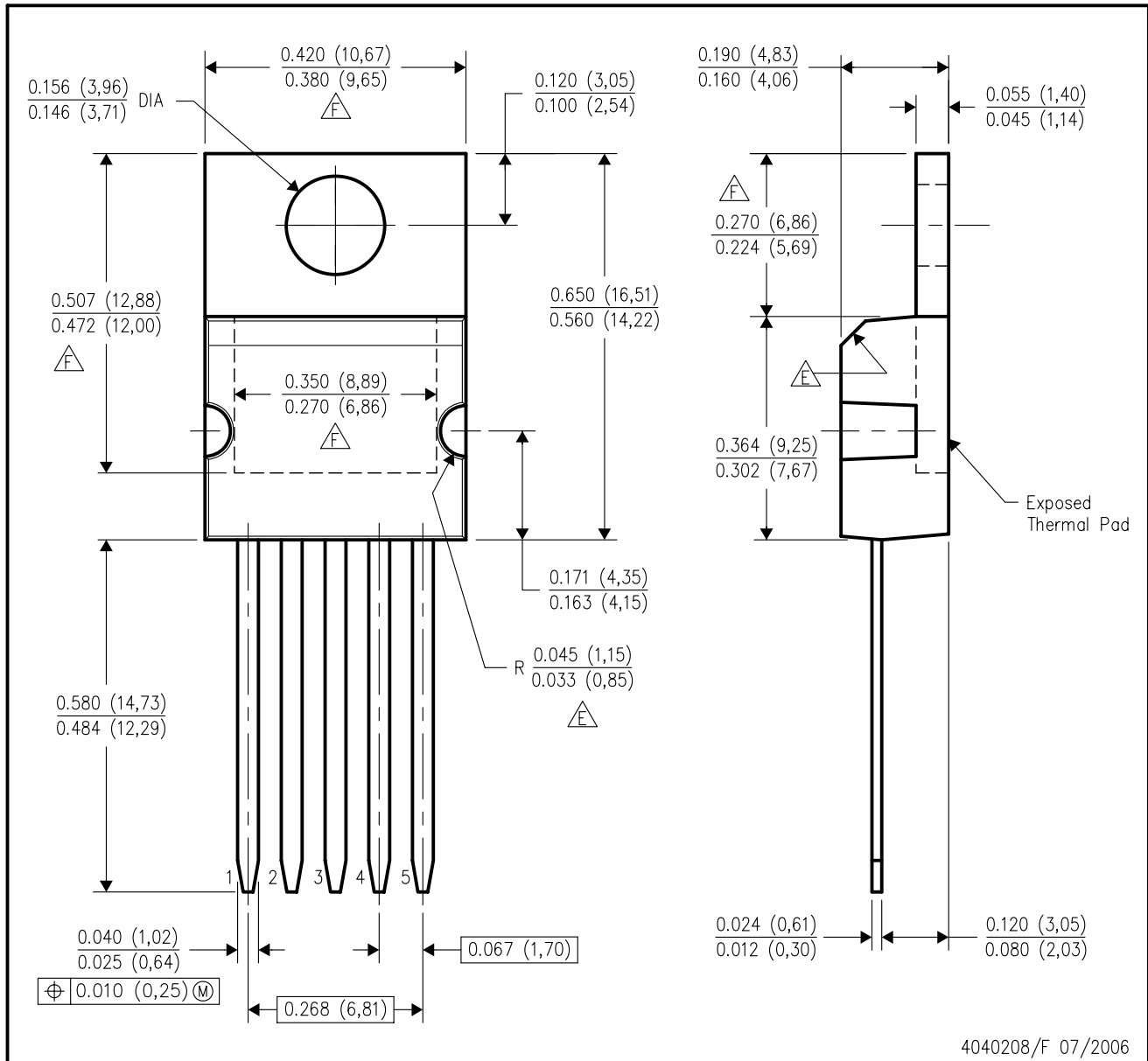
4200577-3/F 07/2011

- NOTES:
- A. All linear dimensions are in millimeters.
  - B. This drawing is subject to change without notice.
  - C. Body dimensions do not include mold flash or protrusion. Mold flash or protrusion not to exceed 0.005 (0,13) per side.
- Falls within JEDEC TO-263 variation BA, except minimum lead thickness, maximum seating height, and minimum body length.





KC (R-PSFM-T5)

PLASTIC FLANGE-MOUNT PACKAGE



4040208/F 07/2006

- NOTES:
- A. All linear dimensions are in inches (millimeters).
  - B. This drawing is subject to change without notice.
  - C. All lead dimensions apply before solder dip.
  - D. The center lead is in electrical contact with the mounting tab.
  -  These features are optional.
  -  Thermal pad contour optional within these dimensions.

## IMPORTANT NOTICE

Texas Instruments Incorporated and its subsidiaries (TI) reserve the right to make corrections, enhancements, improvements and other changes to its semiconductor products and services per JESD46, latest issue, and to discontinue any product or service per JESD48, latest issue. Buyers should obtain the latest relevant information before placing orders and should verify that such information is current and complete. All semiconductor products (also referred to herein as "components") are sold subject to TI's terms and conditions of sale supplied at the time of order acknowledgment.

TI warrants performance of its components to the specifications applicable at the time of sale, in accordance with the warranty in TI's terms and conditions of sale of semiconductor products. Testing and other quality control techniques are used to the extent TI deems necessary to support this warranty. Except where mandated by applicable law, testing of all parameters of each component is not necessarily performed.

TI assumes no liability for applications assistance or the design of Buyers' products. Buyers are responsible for their products and applications using TI components. To minimize the risks associated with Buyers' products and applications, Buyers should provide adequate design and operating safeguards.

TI does not warrant or represent that any license, either express or implied, is granted under any patent right, copyright, mask work right, or other intellectual property right relating to any combination, machine, or process in which TI components or services are used. Information published by TI regarding third-party products or services does not constitute a license to use such products or services or a warranty or endorsement thereof. Use of such information may require a license from a third party under the patents or other intellectual property of the third party, or a license from TI under the patents or other intellectual property of TI.

Reproduction of significant portions of TI information in TI data books or data sheets is permissible only if reproduction is without alteration and is accompanied by all associated warranties, conditions, limitations, and notices. TI is not responsible or liable for such altered documentation. Information of third parties may be subject to additional restrictions.

Resale of TI components or services with statements different from or beyond the parameters stated by TI for that component or service voids all express and any implied warranties for the associated TI component or service and is an unfair and deceptive business practice. TI is not responsible or liable for any such statements.

Buyer acknowledges and agrees that it is solely responsible for compliance with all legal, regulatory and safety-related requirements concerning its products, and any use of TI components in its applications, notwithstanding any applications-related information or support that may be provided by TI. Buyer represents and agrees that it has all the necessary expertise to create and implement safeguards which anticipate dangerous consequences of failures, monitor failures and their consequences, lessen the likelihood of failures that might cause harm and take appropriate remedial actions. Buyer will fully indemnify TI and its representatives against any damages arising out of the use of any TI components in safety-critical applications.

In some cases, TI components may be promoted specifically to facilitate safety-related applications. With such components, TI's goal is to help enable customers to design and create their own end-product solutions that meet applicable functional safety standards and requirements. Nonetheless, such components are subject to these terms.

No TI components are authorized for use in FDA Class III (or similar life-critical medical equipment) unless authorized officers of the parties have executed a special agreement specifically governing such use.

Only those TI components which TI has specifically designated as military grade or "enhanced plastic" are designed and intended for use in military/aerospace applications or environments. Buyer acknowledges and agrees that any military or aerospace use of TI components which have **not** been so designated is solely at the Buyer's risk, and that Buyer is solely responsible for compliance with all legal and regulatory requirements in connection with such use.

TI has specifically designated certain components as meeting ISO/TS16949 requirements, mainly for automotive use. In any case of use of non-designated products, TI will not be responsible for any failure to meet ISO/TS16949.

### Products

Audio	<a href="http://www.ti.com/audio">www.ti.com/audio</a>
Amplifiers	<a href="http://amplifier.ti.com">amplifier.ti.com</a>
Data Converters	<a href="http://dataconverter.ti.com">dataconverter.ti.com</a>
DLP® Products	<a href="http://www.dlp.com">www.dlp.com</a>
DSP	<a href="http://dsp.ti.com">dsp.ti.com</a>
Clocks and Timers	<a href="http://www.ti.com/clocks">www.ti.com/clocks</a>
Interface	<a href="http://interface.ti.com">interface.ti.com</a>
Logic	<a href="http://logic.ti.com">logic.ti.com</a>
Power Mgmt	<a href="http://power.ti.com">power.ti.com</a>
Microcontrollers	<a href="http://microcontroller.ti.com">microcontroller.ti.com</a>
RFID	<a href="http://www.ti-rfid.com">www.ti-rfid.com</a>
OMAP Applications Processors	<a href="http://www.ti.com/omap">www.ti.com/omap</a>
Wireless Connectivity	<a href="http://www.ti.com/wirelessconnectivity">www.ti.com/wirelessconnectivity</a>

### Applications

Automotive and Transportation	<a href="http://www.ti.com/automotive">www.ti.com/automotive</a>
Communications and Telecom	<a href="http://www.ti.com/communications">www.ti.com/communications</a>
Computers and Peripherals	<a href="http://www.ti.com/computers">www.ti.com/computers</a>
Consumer Electronics	<a href="http://www.ti.com/consumer-apps">www.ti.com/consumer-apps</a>
Energy and Lighting	<a href="http://www.ti.com/energy">www.ti.com/energy</a>
Industrial	<a href="http://www.ti.com/industrial">www.ti.com/industrial</a>
Medical	<a href="http://www.ti.com/medical">www.ti.com/medical</a>
Security	<a href="http://www.ti.com/security">www.ti.com/security</a>
Space, Avionics and Defense	<a href="http://www.ti.com/space-avionics-defense">www.ti.com/space-avionics-defense</a>
Video and Imaging	<a href="http://www.ti.com/video">www.ti.com/video</a>

### TI E2E Community

[e2e.ti.com](http://e2e.ti.com)