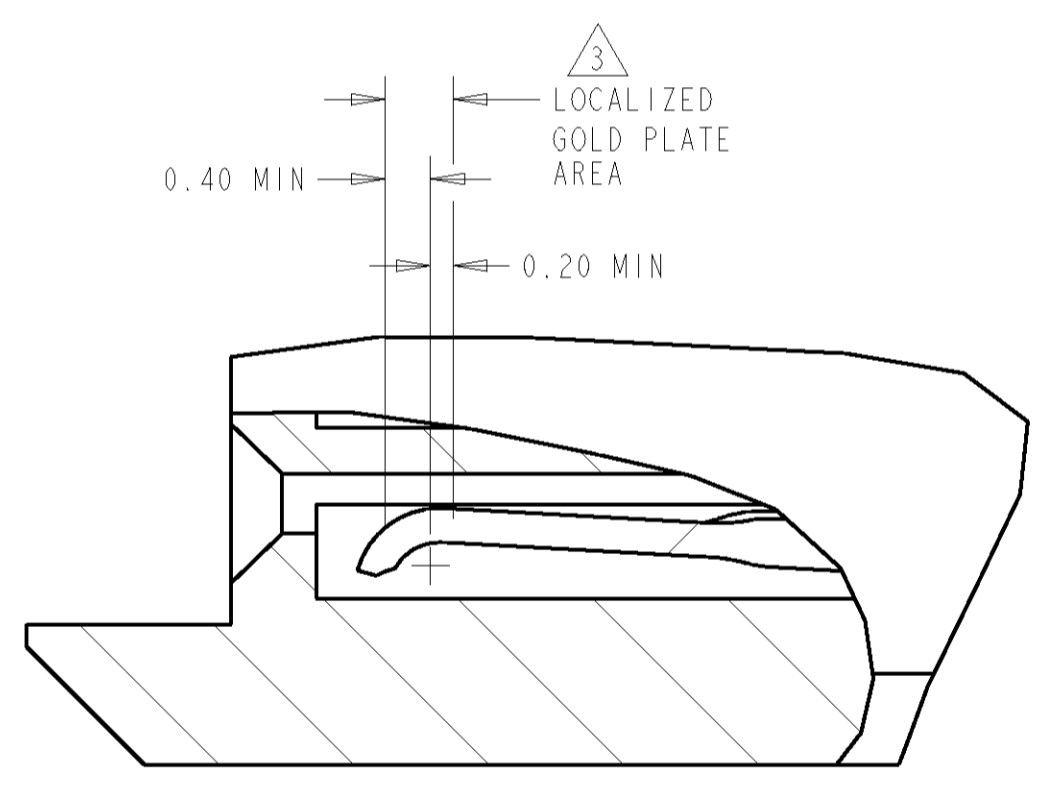
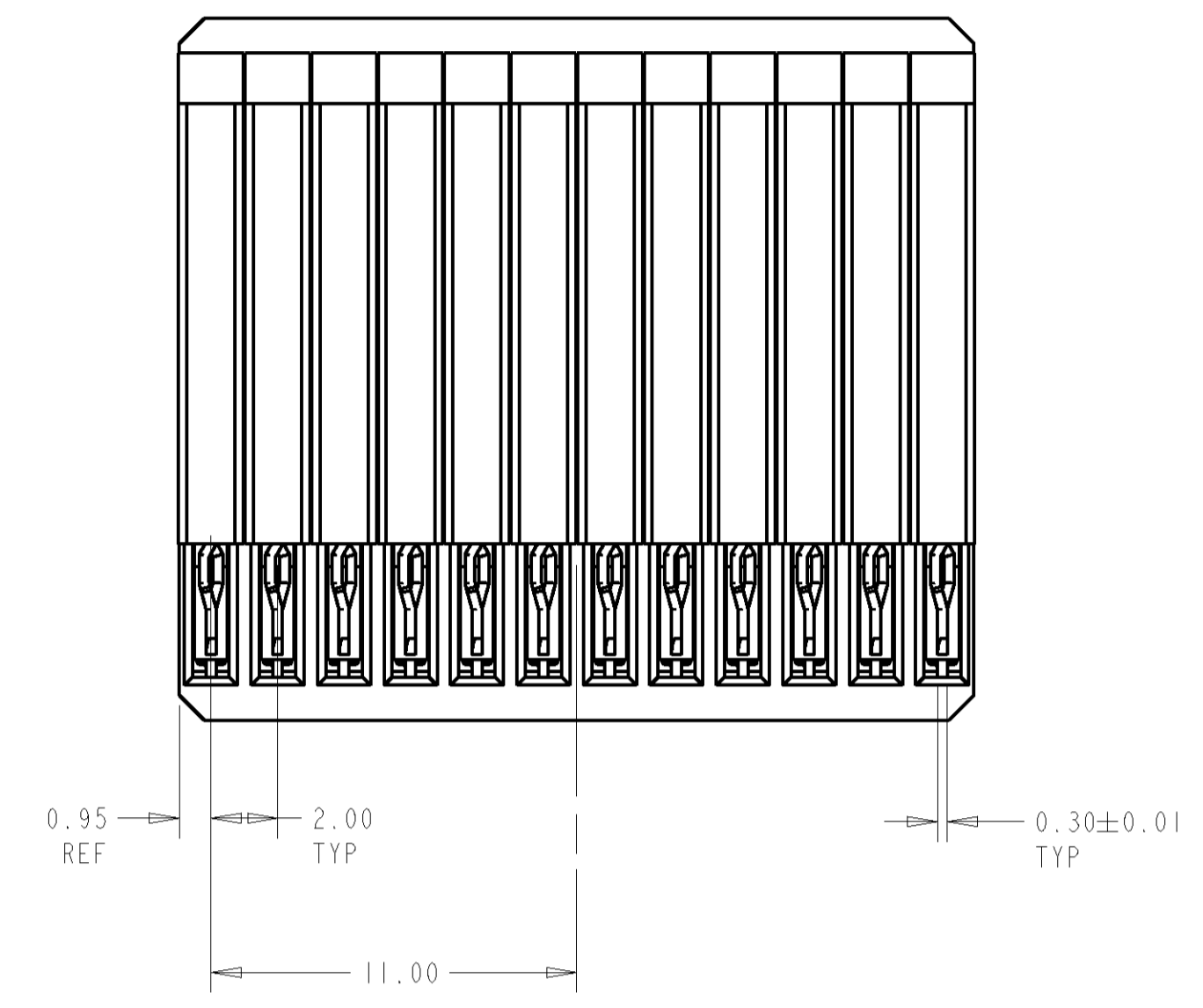
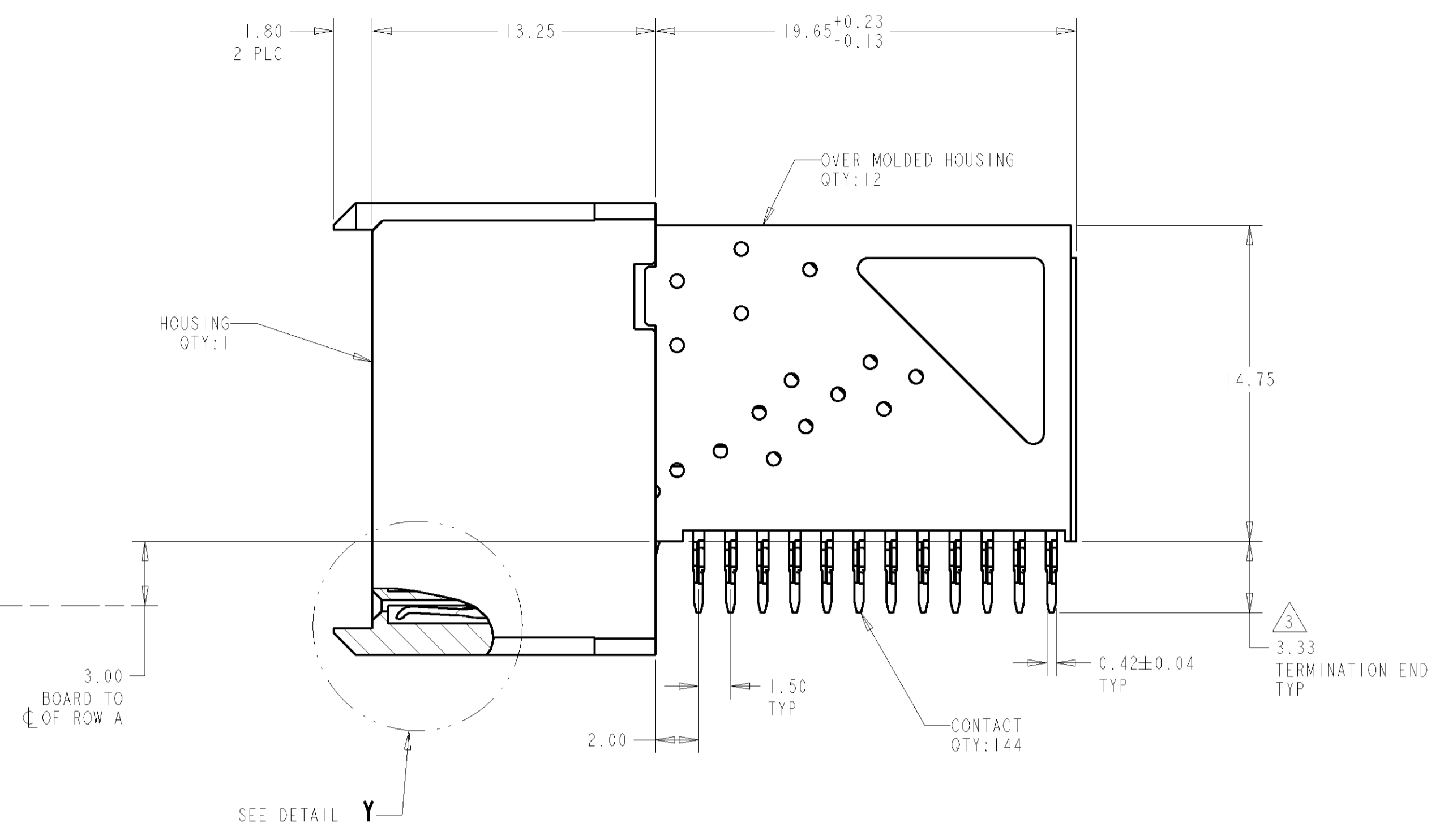
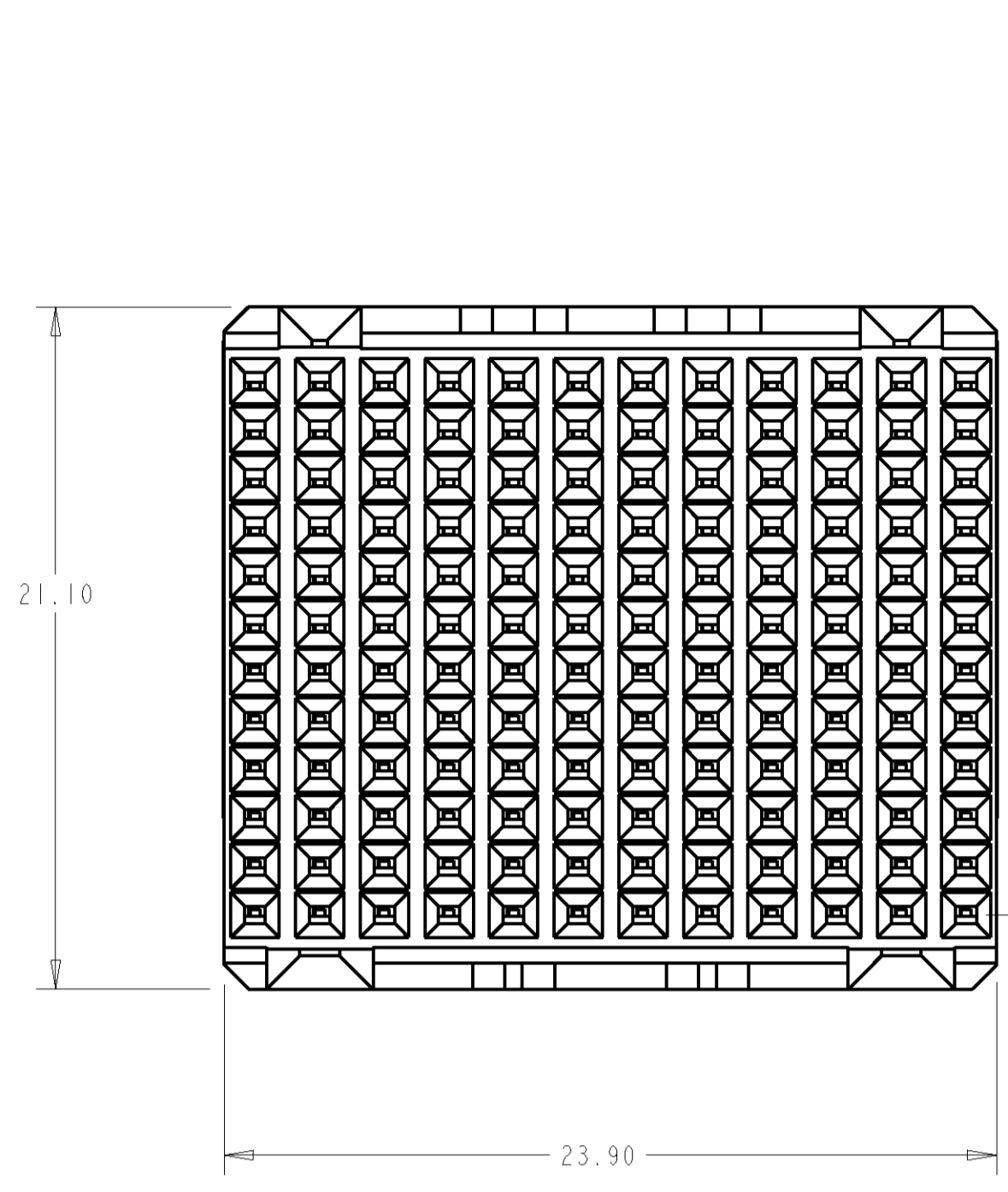
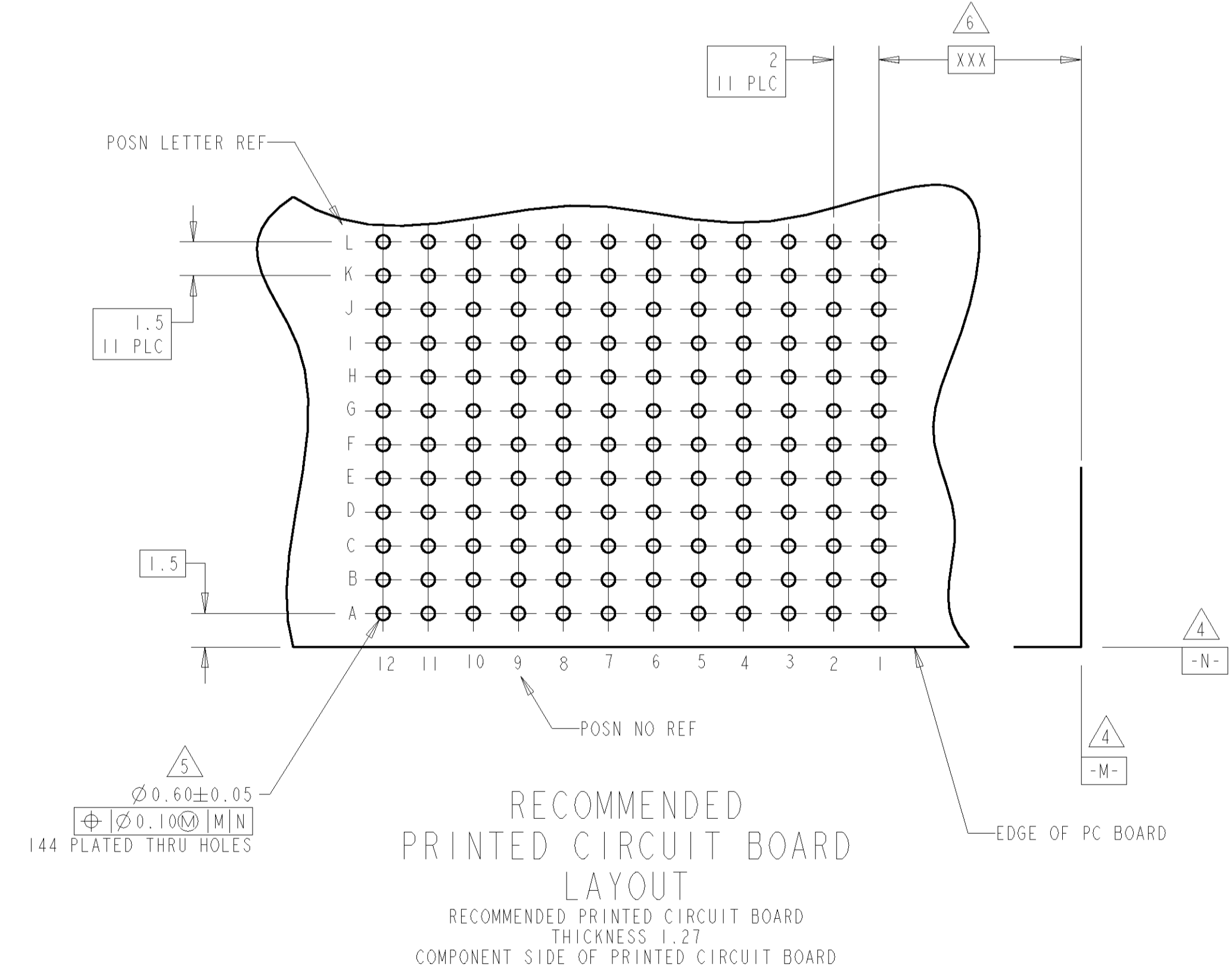
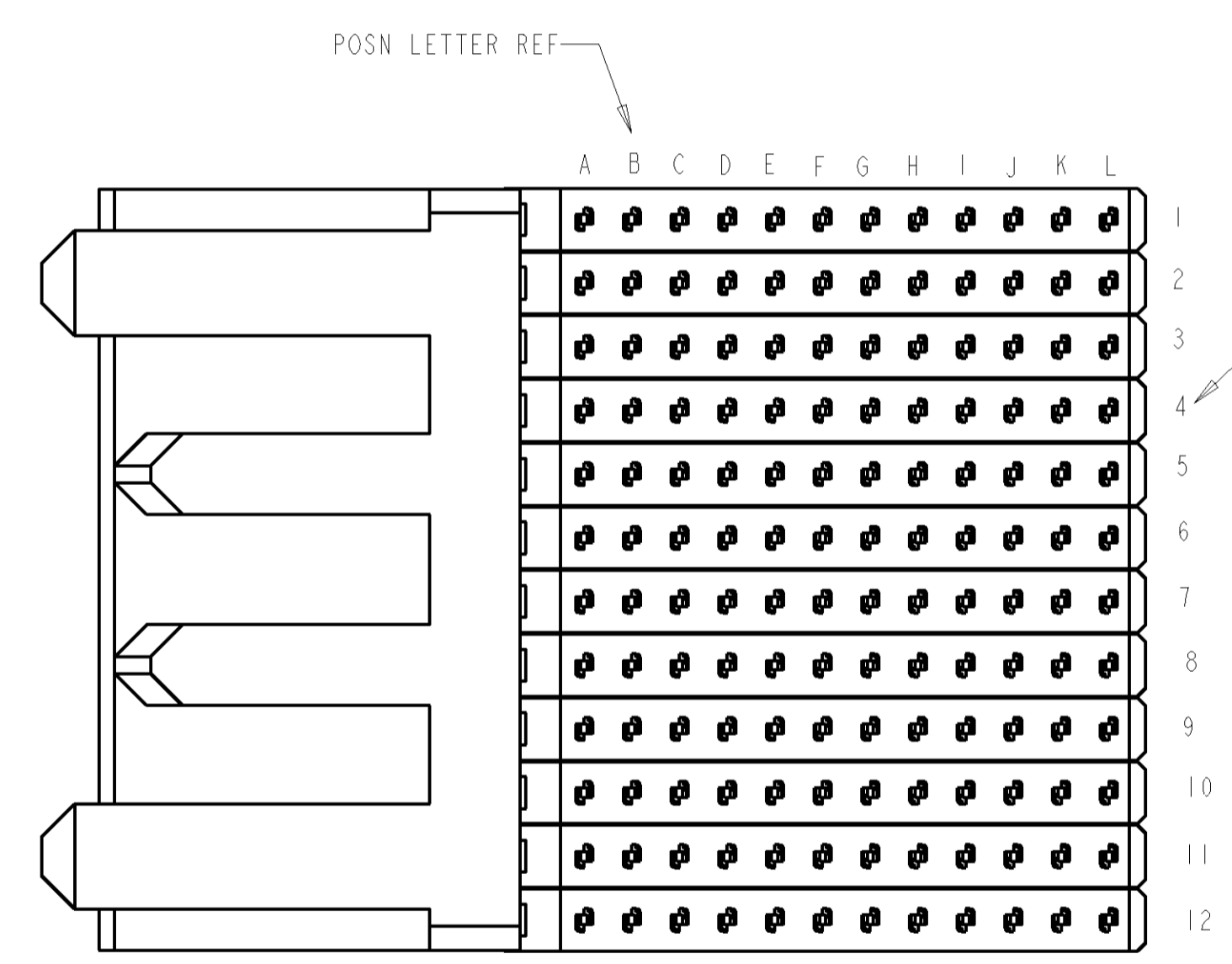


REVISONS		DATE	DWN	APVD
AD	47	04AUG99	DKS	HWA



DETAIL Y  
SCALE 15:1  
TYPICAL



RECOMMENDED  
PRINTED CIRCUIT BOARD  
LAYOUT  
RECOMMENDED PRINTED CIRCUIT BOARD  
THICKNESS 1.27  
COMPONENT SIDE OF PRINTED CIRCUIT BOARD

- 1 GLASS FILLED POLYESTER, BLACK
- 2 PHOSPHOR BRONZE
- 3 0.72µm MIN GOLD IN LOCALIZED GOLD PLATE AREA, 0.72µm MIN TIN LEAD ON TERMINATION END, BOTH OVER 1.27µm MIN NICKEL.
- 4 DATUMS ESTABLISHED BY CUSTOMER.
- 5 DRILLED HOLE DIAMETER 0.700±0.025  
COPPER THK 0.025-0.05  
TIN LEAD THICKNESS 0.004-0.01
- 6 DIMENSION ESTABLISHED BY CUSTOMER.

120637-1  
PART NUMBER

<small>THIS DRAWING IS A CONTROLLED DOCUMENT FOR AMP INCORPORATED. ALL CHANGES TO THIS DRAWING MUST BE CONTROLLED BY THE ORGANIZATION THAT ISSUED THIS DRAWING. FOR THE LATEST REVISION, ORGANIZATION SHOULD BE CONTACTED FOR THE LATEST REVISION.</small>		DWN: JH MOLL 27 JUL 98 ENR: JH HUSS 06 AUG 98 APVD: -	<b>AMP</b> AMP Incorporated Harrisburg, PA 17105-3608
DIMENSIONS: mm TOLERANCES UNLESS OTHERWISE SPECIFIED: 0 PLC ± 1 PLC ± 2 PLC ±0.13 3 PLC ± 4 PLC ± ANGLES ±	PRODUCT SPEC: - APPLICATION SPEC: - WEIGHT: - FINISH: - CONTACTS: 3	NAME: RECEPTACLE ASSEMBLY, 144 POSITION, 12 ROW, Z-PACK HM SIZE: A1 CAGE CODE: 00779 DRAWING NO: C=120637 CUSTOMER DRAWING	SCALE: 5:1 SHEET: 1 of 1 REV: 0