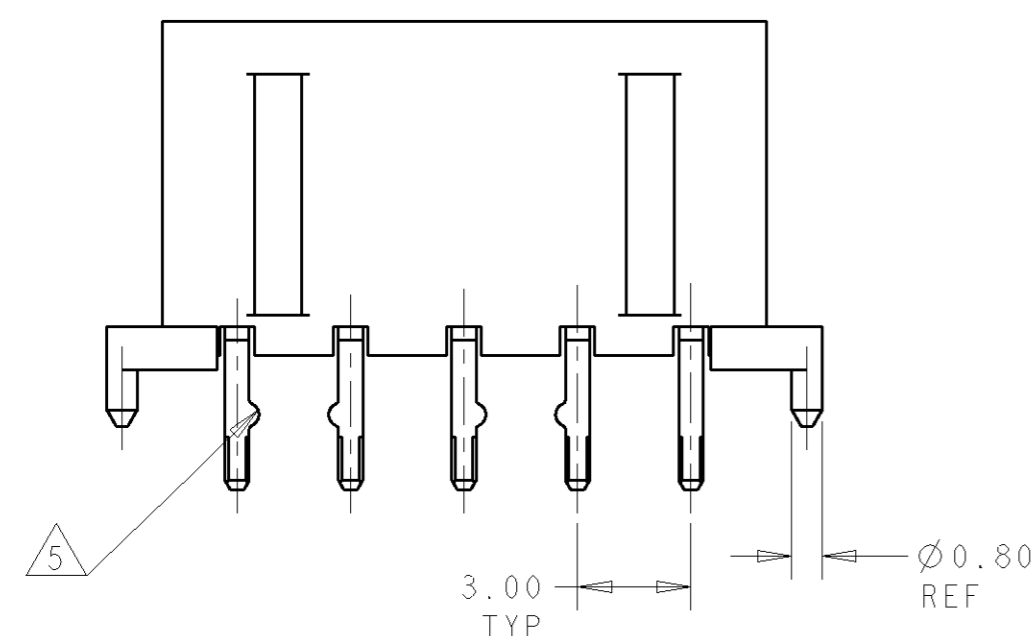
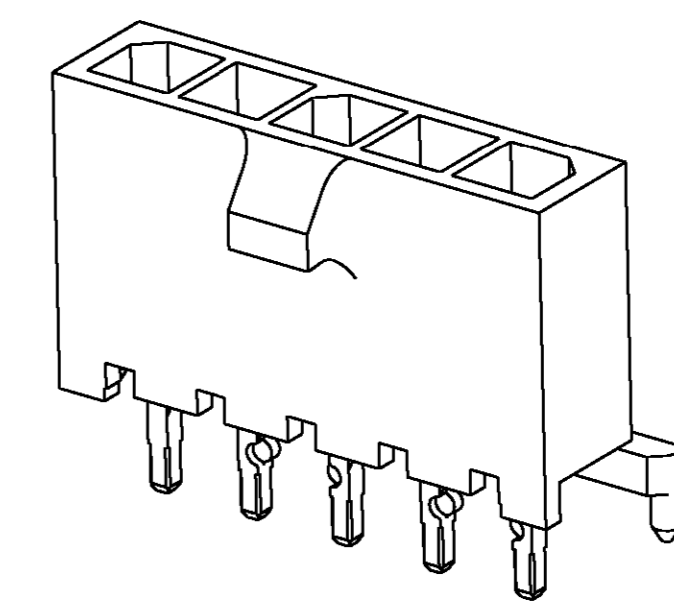
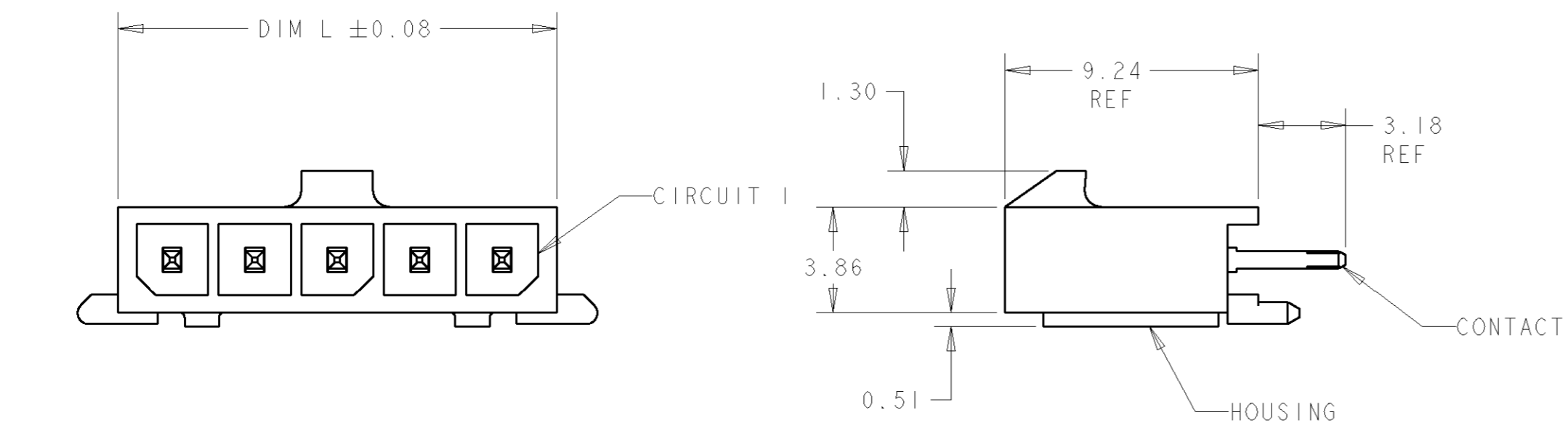
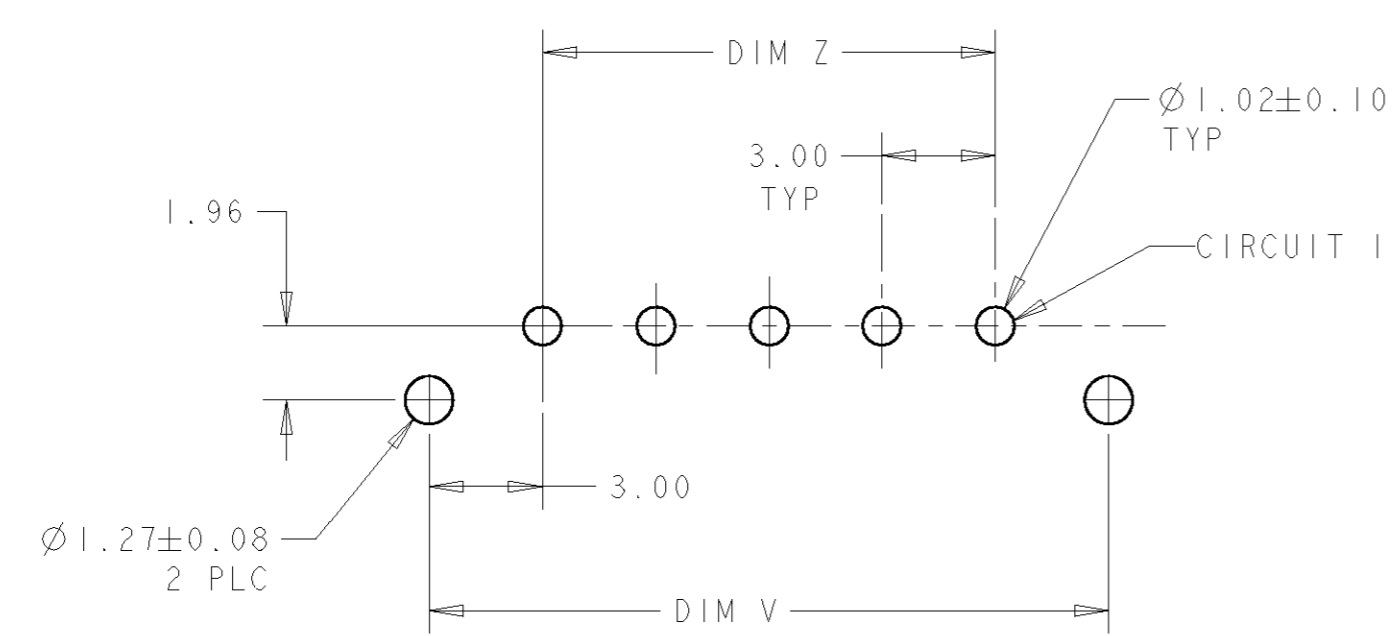


THIS DRAWING IS UNPUBLISHED. RELEASED FOR PUBLICATION .19  
 © COPYRIGHT 19 BY AMP INCORPORATED. ALL RIGHTS RESERVED.

LOC	DIST	REVISIONS					
CM	00	P	LTR	DESCRIPTION	DATE	DWN	APVD
		0		RELEASED PER 0G3B-0330-01	16-AUG-01	KW	CJ



- 1 MATERIAL: CONTACTS - BRASS  
HOUSING - UL 94V-0 RATED HIGH TEMP NYLON, COLOR BLACK.
- 2 PLATING: CONTACTS - 2.54µm MINIMUM TIN-LEAD OVER 1.27µm MINIMUM NICKEL.
- 4 RECOMMENDED PC BOARD THICKNESS OF 1.57.
- 5 RETENTION BUMP FEATURES FACE EACH OTHER, TYPICAL ALL CONFIGURATIONS.



PCB LAYOUT COMPONENT SIDE 4

1,2,11,12	33.00	39.14	37.00	12	1-1445050-2
1,2,9,10	30.00	36.14	34.00	11	1-1445050-1
1,2,9,10	27.00	33.14	31.00	10	1-1445050-0
1,2,7,8	24.00	30.14	28.00	9	1445050-9
1,2,7,8	21.00	27.14	25.00	8	1445050-8
1,2,5,6	18.00	24.14	22.00	7	1445050-7
1,2,5,6	15.00	21.14	19.00	6	1445050-6
1,2,3,4	12.00	18.14	16.00	5	1445050-5
1,2,3,4	9.00	15.14	13.00	4	1445050-4
1,2	6.00	12.14	10.00	3	1445050-3
1,2	3.00	9.14	7.00	2	1445050-2
CON POS W/RET BUMP 5	DIM Z	DIM V	DIM L	NO. OF POSN	PART NUMBER

THIS DRAWING IS A CONTROLLED DOCUMENT FOR AMP INCORPORATED. IT IS SUBJECT TO CHANGE AND THE CONTROLLING ENGINEERING ORGANIZATION SHOULD BE CONTACTED FOR THE LATEST REVISION.		DWN J.ROOT 08OCT2000	<b>AMP</b> Tyco Electronics Harrisburg, PA 17105-3608
DIMENSIONS: mm		CHK K. WHITAKER 19OCT2000	
TOLERANCES UNLESS OTHERWISE SPECIFIED: 0 PLC ± 1 PLC ± 2 PLC ±0.13 3 PLC ± 4 PLC ± ANGLES ± FINISH		APVD K. WHITAKER 12-MAR-2001	NAME VERTICAL THRU HOLE HEADER ASSY, TIN CONTACTS W/PCB POLARIZATION FEATURE, SINGLE ROW, MICRO MATE-N-LOK™
MATERIAL - 1		PRODUCT SPEC -	SIZE A2
METRIC		APPLICATION SPEC -	CAGE CODE 00779
		WEIGHT -	DRAWING NO 1445050
		CUSTOMER DRAWING	SCALE 5:1 SHEET 1 OF 1 REV 0

1445050