

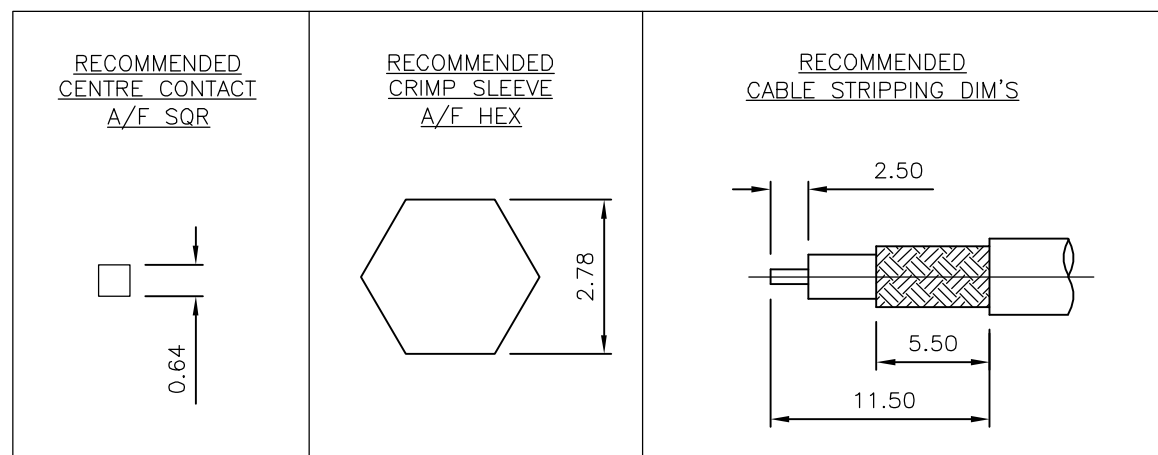
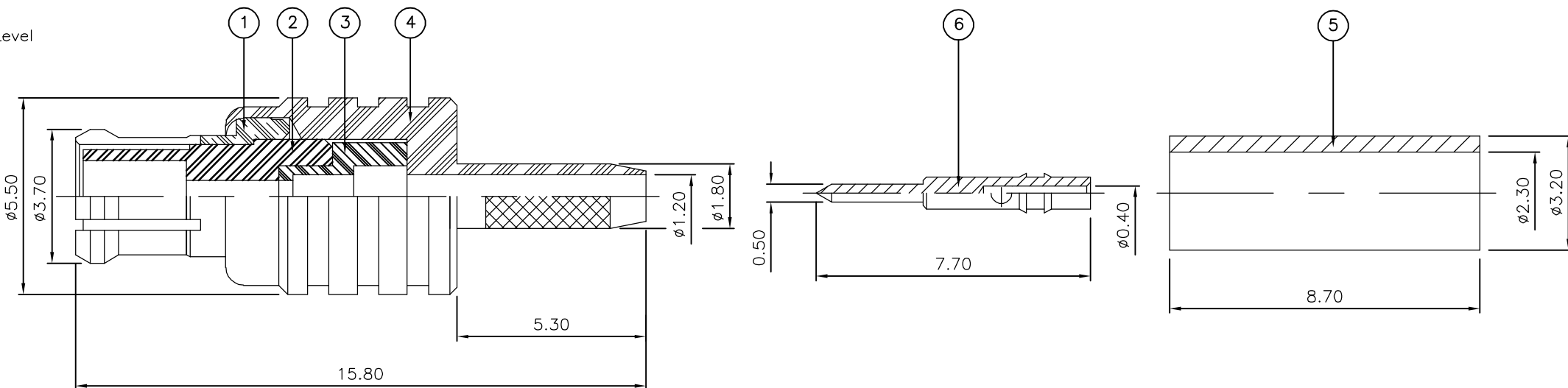
THIS DRAWING IS UNPUBLISHED. RELEASED FOR PUBLICATION JUNE ,2006.

© COPYRIGHT 2006 BY TYCO ELECTRONICS CORPORATION. ALL RIGHTS RESERVED.

LOC	DIST	REVISIONS					
E	B	P	LTR	DESCRIPTION	DATE	DWN	APVD
		B		ECR-06-013423	01JUN06	JMS	FWK

NOTES:

- 1 PACK IN ACCORDANCE WITH AMP SPEC 107-3275
- 2 100 TRAY PACK IN ACCORDANCE WITH AMP SPEC 107-3275
- 3 Au PLATING
- 4 Ni PLATING
- 5 HAND TOOL : 9-1478240-0
- 6 DIE SET : 9-1478248-0
- 7 ELECTRICAL CHARACTERISTICS
 FREQUENCY RANGE: DC - 6 GHz
 NOMINAL IMPEDANCE: 50 Ohm
 INSULATION RESISTANCE: 1000 MOhm
 WORKING VOLTAGE: 335 Volts RMS at Sea Level
 DIELECTRIC WITHSTAND VOLTAGE: 1000 Volts RMS Max
 CONTACT RESISTANCE:
 CENTRE CONTACT: 5.00 mOhm Max
 OUTER CONTACT: 1.00 mOhm Max
 VSWR @ 4GHz: 1.35:1 Max
 INSERTION LOSS dB @ x 1.0 GHz: 0.10 Max
- 8 MECHANICAL CHARACTERISTICS
 COUPLING NUT RETENTION FORCE: N/A
 CABLE RETENTION FORCE:
 RG174A/U, 188A/U, 316/U, URM95: 85N Min
 RG178B/U, 196A/U: 25N Min
 DURABILITY: 500 Cycles Min
- 9 ENVIRONMENTAL CHARACTERISTICS
 OPERATING TEMPERATURE: -65 to +165 DegC
- 10 FOR TECHNICAL DATA REFER TO YOUR LOCAL TYCO ELECTRONICS SALES OFFICE
- 11 ALL DIMENSIONS ARE NOMINAL FOR REFERENCE ONLY UNLESS OTHERWISE STATED



QTY	UNIT	MATERIAL	DESCRIPTION	ITEM
1	1	BRASS	CONTACT	6
1	1	BRASS	FERRULE	5
1	1	BRASS	BODY	4
1	1	POLYPROPYLENE	INSULATION	3
1	1	PTFE	INSULATION	2
1	1	BERYLLIUM COPPER	CHASSIS	1
6--0	1--0	MATERIAL	DESCRIPTION	ITEM

THIS DRAWING IS A CONTROLLED DOCUMENT.		DWN	J.SANDWELL	01JUN06	Tyco Electronics Corporation Bideford EX39 4HE		
DIMENSIONS: mm		CHK	S.PARLOW	01JUN06	NAME		
TOLERANCES UNLESS OTHERWISE SPECIFIED:		APVD	F.WHEELER-KING	01JUN06	MCX STRAIGHT PLUG CRIMP 50 OHM RG178B/U, 196A/U, URM110, KX21A		
0 PLC ± -		PRODUCT SPEC	-				
1 PLC ± -		APPLICATION SPEC	411-3247				
2 PLC ± -		WEIGHT	-				
3 PLC ± -		SIZE	A3	CAGE CODE	00779	DRAWING NO	C-1478005
4 PLC ± -		MATERIAL	SEE TABLE				
ANGLES ± -		RESTRICTED TO	-				
FINISH -		SCALE	NTS		SHEET	1 OF 1	REV B
CUSTOMER DRAWING							