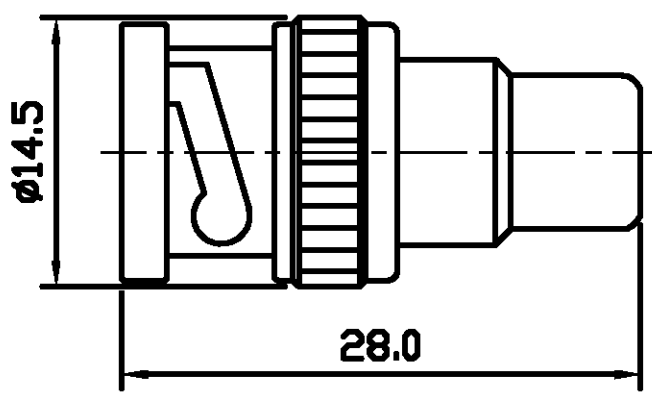


LOC	DIST	REVISIONS					
E	B	P	LTR	DESCRIPTION	DATE	DWN	APVD
		A		RELEASE FOR PRODUCTION	18.12.00	RS	RG



ALL DIMENSIONS ARE NOMINAL. FOR REFERENCE ONLY.

DIE SET PART NUMBER	N/A
HANDTOOL PART NUMBER	N/A
FOR USE ON CABLES	N/A
CONNECTOR PLATING DETAIL	NICKEL
CONTACT PLATING DETAIL	GOLD
DIELECTRIC MATERIAL	TEFLON
GASKET MATERIAL	WHITE SILICONE RUBBER

BAG	SINGLE ITEM	1-1478036-0
PACK TYPE	DESCRIPTION	PART NUMBER

THIS DRAWING IS A CONTROLLED DOCUMENT.		DWN	R SMITH	18.12.00	Tyco Electronics Corporation Stanmore, Middlesex, HA7 4RS			
DIMENSIONS: MM		CHK	R GOODALL	18.12.00				
TOLERANCES UNLESS OTHERWISE SPECIFIED: 0 PLC ± - 1 PLC ± - 2 PLC ± - 3 PLC ± - 4 PLC ± - ANGLES ± -		APVD	R GOODALL	18.12.00				
		PRODUCT SPEC	108-3435					
MATERIAL	FINISH	APPLICATION SPEC	-		NAME	I/SER ADAPTOR BNC P-RCA J 75 OHM		
-	-	WEIGHT	-		SIZE	CAGE CODE	DRAWING NO	RESTRICTED TO
CUSTOMER DRAWING		A3		00779	C-1478036		-	
		SCALE	NTS		SHEET	1	OF 1	REV A