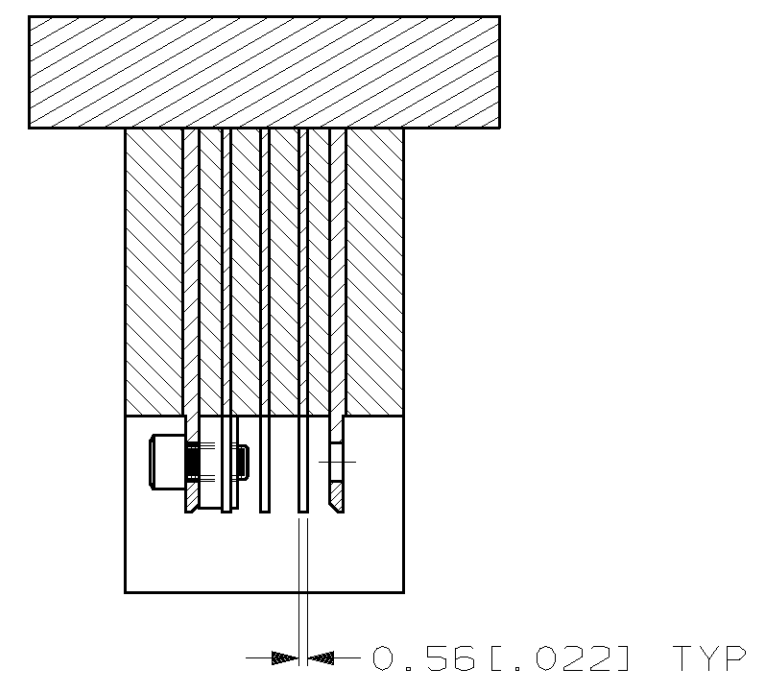
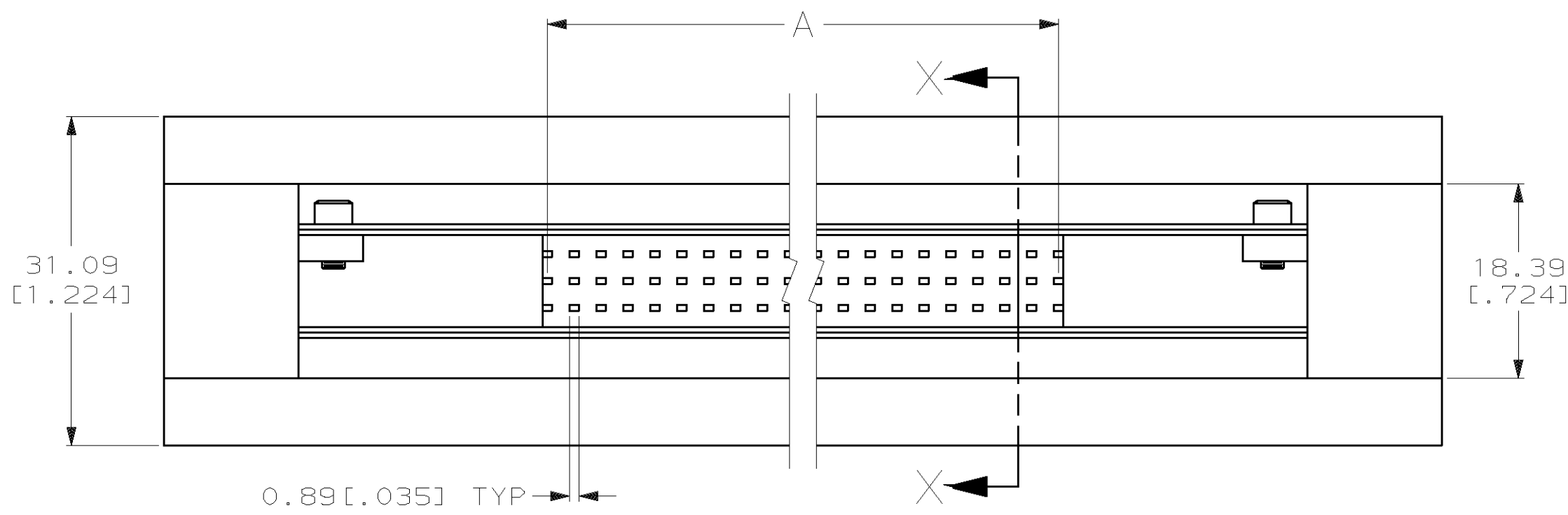
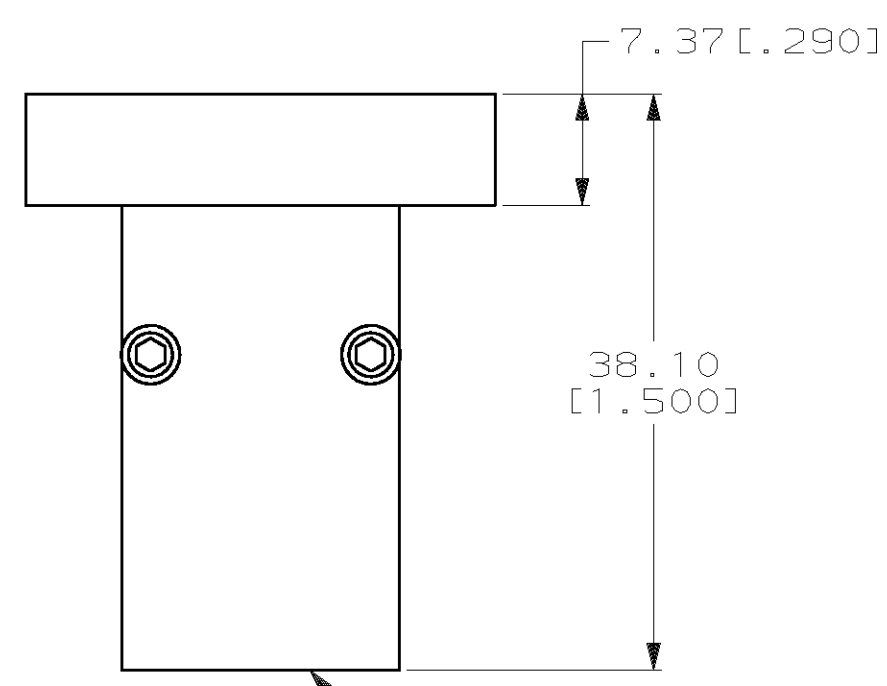
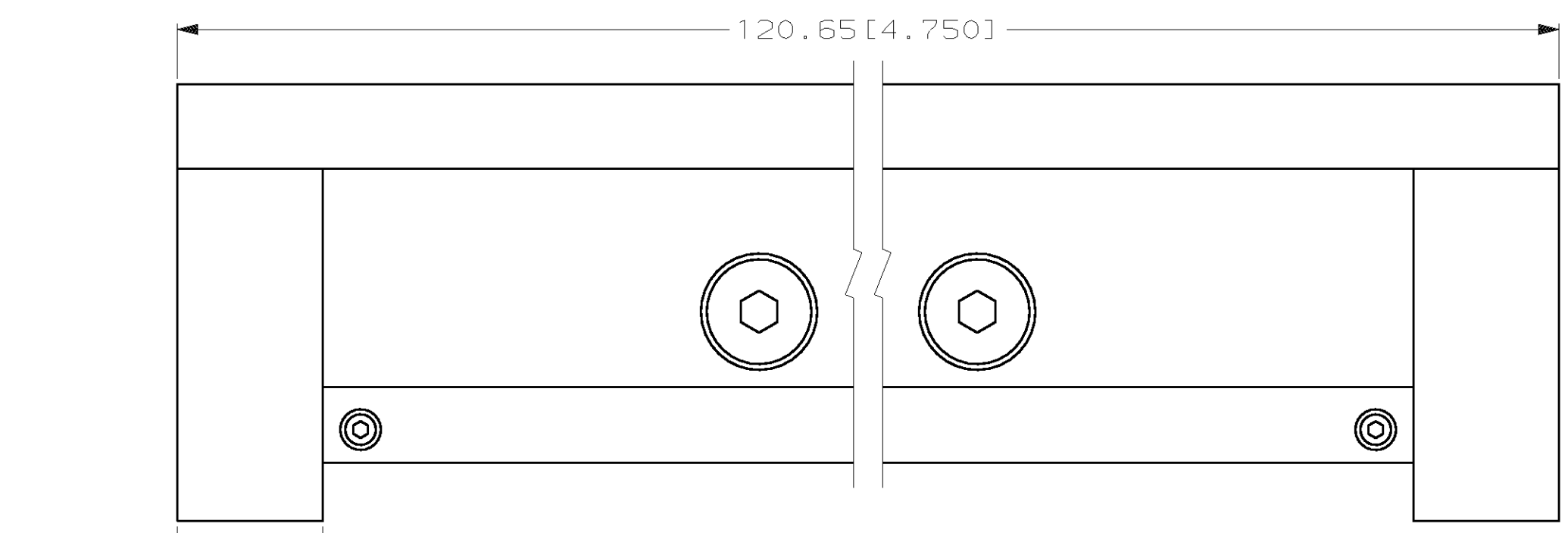


THIS DRAWING IS UNPUBLISHED. RELEASED FOR PUBLICATION ,19 .
 © COPYRIGHT 19 BY AMP INCORPORATED. ALL INTERNATIONAL RIGHTS RESERVED.

LOC	DIST	P	F	ZONE	LTR	DESCRIPTION	DATE	APPD
AD	25				A	EC 0010-0264-96	2/28/96	RAP
					B	EC 0010-0949-96	7/9/96	RAP
					C	REV PER EC 0512-0016-03	27MAY03	NN



SECTION X-X
ROTATED 90° CW

17.78 [.700]	M24 x 8	148090-4 OBSELETE
33.02 [1.300]	M42 x 6	148090-3
48.26 [1.900]	M60 x 4	148090-2 OBSELETE
63.50 [2.500]	M78 x 2	148090-1 OBSELETE
A	TYPE	PART NUMBER

DO NOT SCALE PRINT. UNLESS SPECIFIED DIMENSIONS IN mm [INCHES]. TOLERANCES ON : 2 PLC DEC ± 0.13 [.005] 3 PLC DEC ± - ANGLES ± -	DR	L. BRINER	8/17/94
	CHK	R. PATTERSON	8/19/94
MATERIAL STABILIZER: LEXAN OTHER PARTS: STEEL	APPD	R. PATTERSON	8/19/94
	APPD	R. PATTERSON	8/19/94
FINISH	PRODUCT SPEC	-	-
	APPLICATION SPEC	-	-
WEIGHT	-	-	-

AMP | AMP INCORPORATED
Harrisburg, Pa. 17105

NAME: INSERTION TOOL, RECEPTACLE, EUROCARD, TYPE M

OBSELETE
NOT the LATEST REVISION

SIZE: © 00779
SCALE: 2:1

DRAWING NO: 148090
SHEET: 1 OF 1