

THIS DRAWING IS UNPUBLISHED.

RELEASED FOR PUBLICATION

ALL RIGHTS RESERVED.

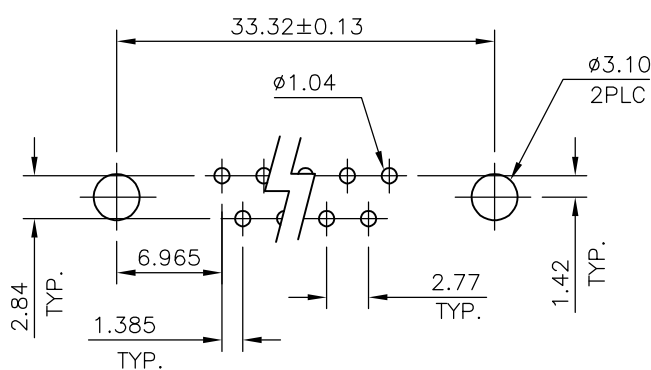
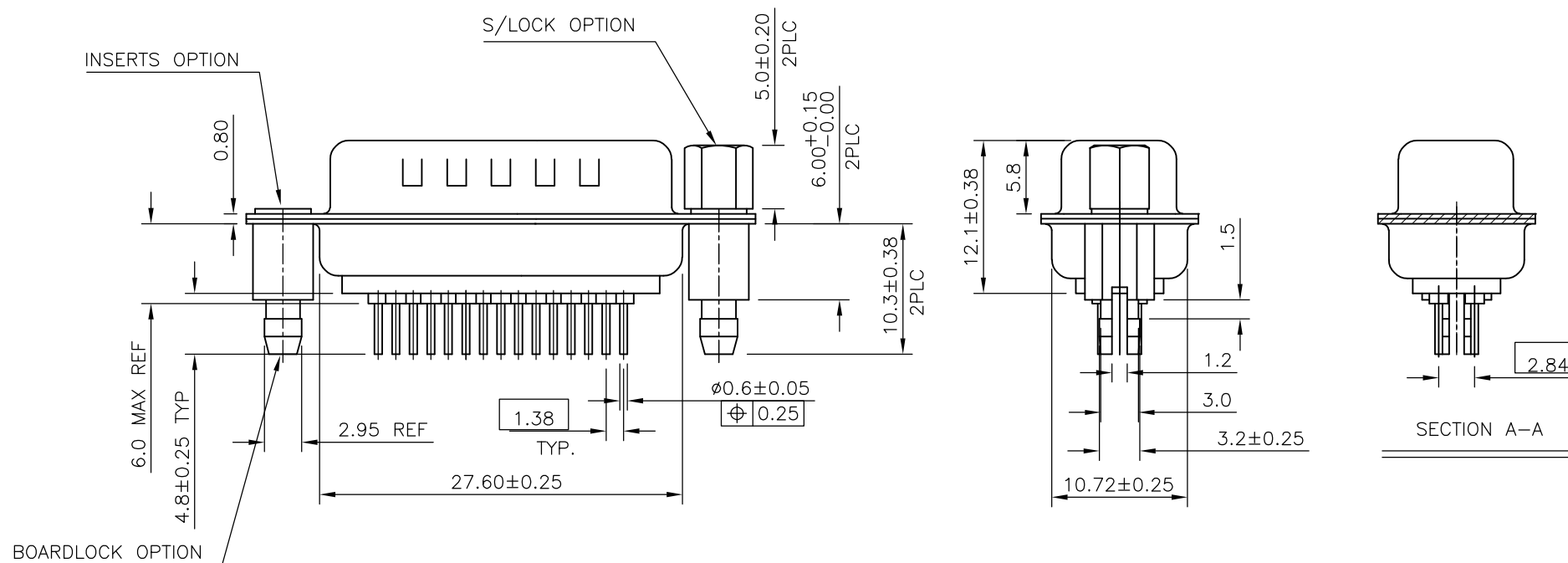
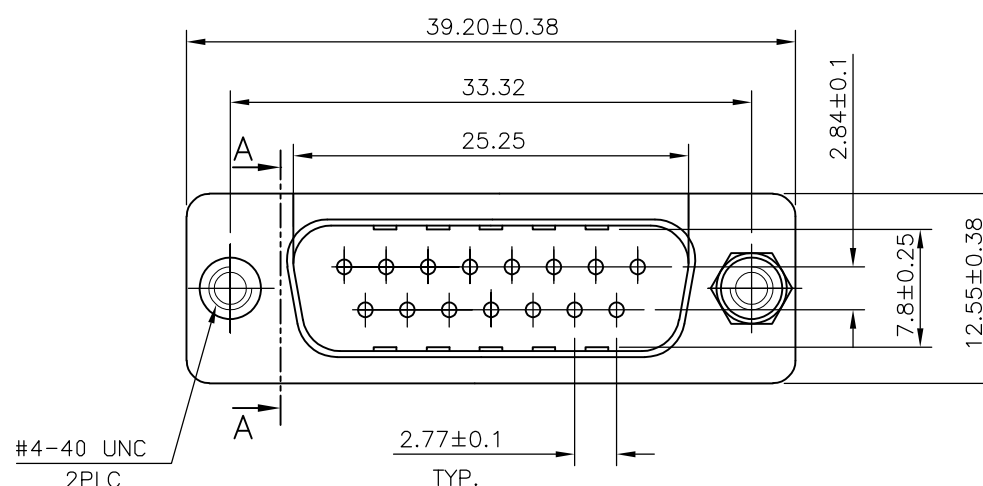
LOC GP DIST 00

REVISIONS

P	LTR	DESCRIPTION	DATE	DWN	APVD
J		REVISED PER ECO-14-000651	05FEB2014	AP	SB

- 1 MATERIAL  
 HOUSING : THERMOPLASTIC, UL94V-0, BLACK  
 CONTACTS : BRASS.  
 SHELL : STEEL  
 SCREW : BRASS.  
 BOARD LOCK : BRASS.  
 SCREW OF TORQUE : 5 Kg-cm MAX.
- 2 FINISH  
 CONTACT : 15μ" MIN.GOLD PLATING ON CONTACT AREA  
 100μ" MIN. TIN PLATING ON SOLDER TAILS  
 50μ" MIN. NICKEL UNDERPLATED OVERALL  
 SHELL : 100μ" MIN NICKEL PLATING.  
 SCREW : 50μ" MIN. NICKEL PLATING.  
 BOARD LOCK : 50μ" MIN. NICKEL PLATING.
- 3 CHARACTERISTICS  
 CURRENT RATING : 3A  
 INSULATION RESISTANCE : 1000MOHMS MIN. 500VDC FOR 2MINS.  
 TEMPERATURE RATING : -55DEGC ~ +105DEGC  
 VOLTAGE RATING : 250VDC

4 OBSOLETE PARTS: OBSOLETE CIS STREAMLINING PER D.RENAUD/D.SINISI.



RECOMMENDED PCB LAYOUT(TOP VIEW)  
(PCBTOLERANCE : ±0.05)

4	OBSOLETE	15W D PLG WITH B/L & M3 S/LOCK 15μ" GOLD	4-1634219-2
		15W D PLG WITH B/L & 4-40 S/LOCK 15μ" GOLD	3-1634219-2
4	OBSOLETE	15W D PLG WITH B/L & M3 INSERTS 15μ" GOLD	2-1634219-2
		15W D PLG WITH B/L & 4-40 INSERTS 15μ" GOLD	1-1634219-2
DESCRIPTION			PART NO.

THIS DRAWING IS A CONTROLLED DOCUMENT.		DWN J.SANDWELL 10APR03	TE Connectivity			
DIMENSIONS: mm		CHK R.DYER 10APR03				
TOLERANCES UNLESS OTHERWISE SPECIFIED:		APVD F.WHEELER-KING 10APR03	NAME D-SUB HD20, VERTICAL, 15P PLUG CONNECTOR			
0 PLC ± - 1 PLC ± 0.25 2 PLC ± 0.15 3 PLC ± - 4 PLC ± - ANGLES ± -		PRODUCT SPEC -	APPLICATION SPEC -			
MATERIAL -		FINISH -	SIZE A3	CAGE CODE 00779	DRAWING NO C-1634219	RESTRICTED TO -
CUSTOMER DRAWING			SCALE 2:1	SHEET 1 OF 2	REV J	

THIS DRAWING IS UNPUBLISHED.

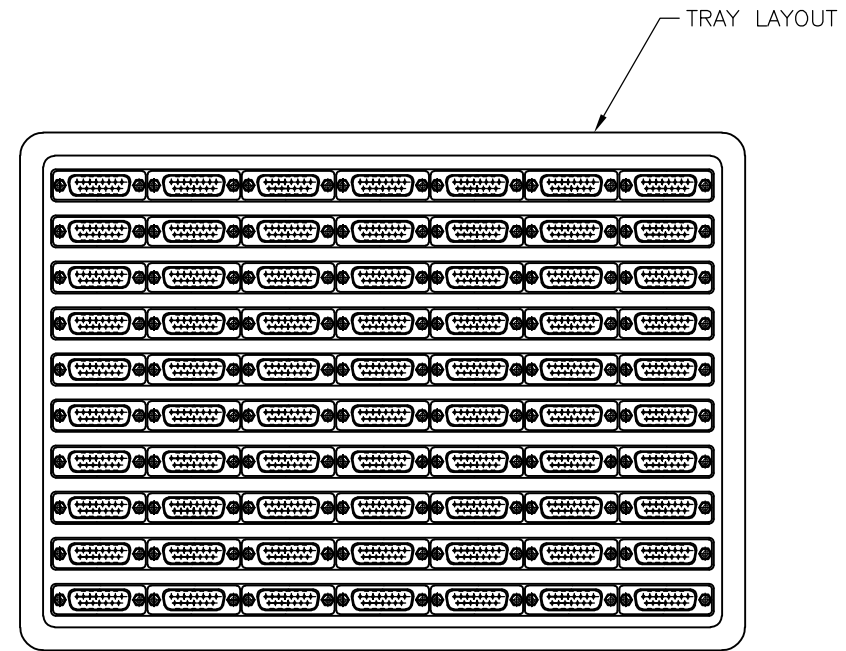
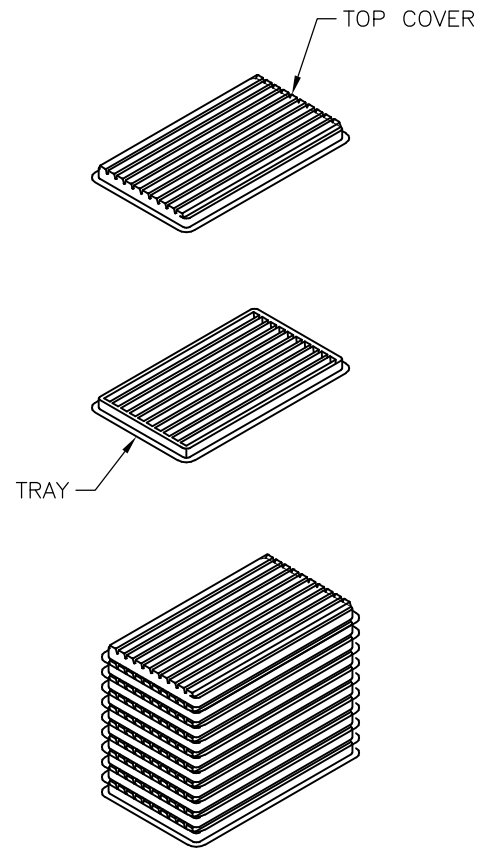
RELEASED FOR PUBLICATION

---

© COPYRIGHT - By -

ALL RIGHTS RESERVED.

LOC	DIST	REVISIONS					
GP	00	P	LTR	DESCRIPTION	DATE	DWN	APVD
		-		SEE SHEET 1	-	-	-



MATERIAL

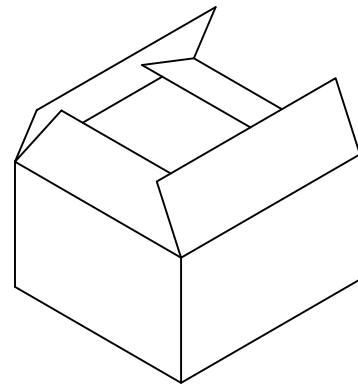
- 1 TRAY: PVC
- 2 SHIPPING CARTON: CORRUGATED FIBERBOARD

DIMENSIONS

- 1 TRAY: L=310, W=230, H=21
- 2 SHIPPING CARTON: L=330, W=245, H=160

QUANTITY

- 70 PCS/TRAY
- 10 TRAY/SHIPPING CARTON



THIS DRAWING IS A CONTROLLED DOCUMENT.		DWN	J.SANDWELL	10APR03	<b>STE</b> TE Connectivity			
DIMENSIONS: mm		CHK	R.DYER	10APR03				NAME D-SUB HD20, VERTICAL, 15P PLUG CONNECTOR
TOLERANCES UNLESS OTHERWISE SPECIFIED:		APVD	F.WHEELER-KING	10APR03	SIZE	CAGE CODE	DRAWING NO	
0 PLC ± -		PRODUCT SPEC		-		-		-
1 PLC ± 0.25		APPLICATION SPEC		-		-		-
2 PLC ± 0.15		WEIGHT		-		-		-
3 PLC ± -		CUSTOMER DRAWING		A300779		C-1634219		-
4 PLC ± -		SCALE		NTS		SHEET		2 OF 2
ANGLES ± -		FINISH		-		REV		J
MATERIAL		-		-		-		-