

THIS DRAWING IS UNPUBLISHED.

RELEASED FOR PUBLICATION APR , 2003.

LOC GP DIST 00

REVISIONS

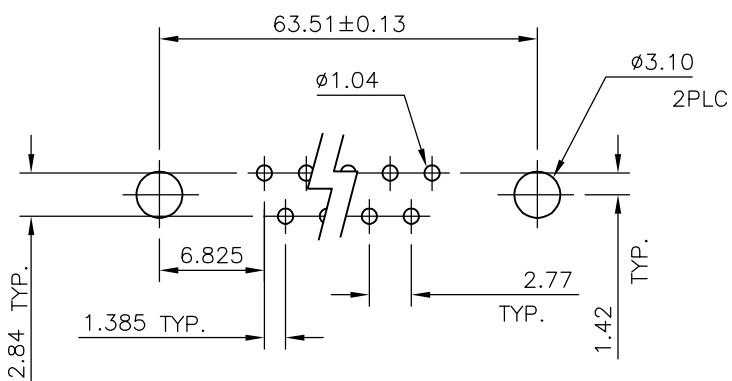
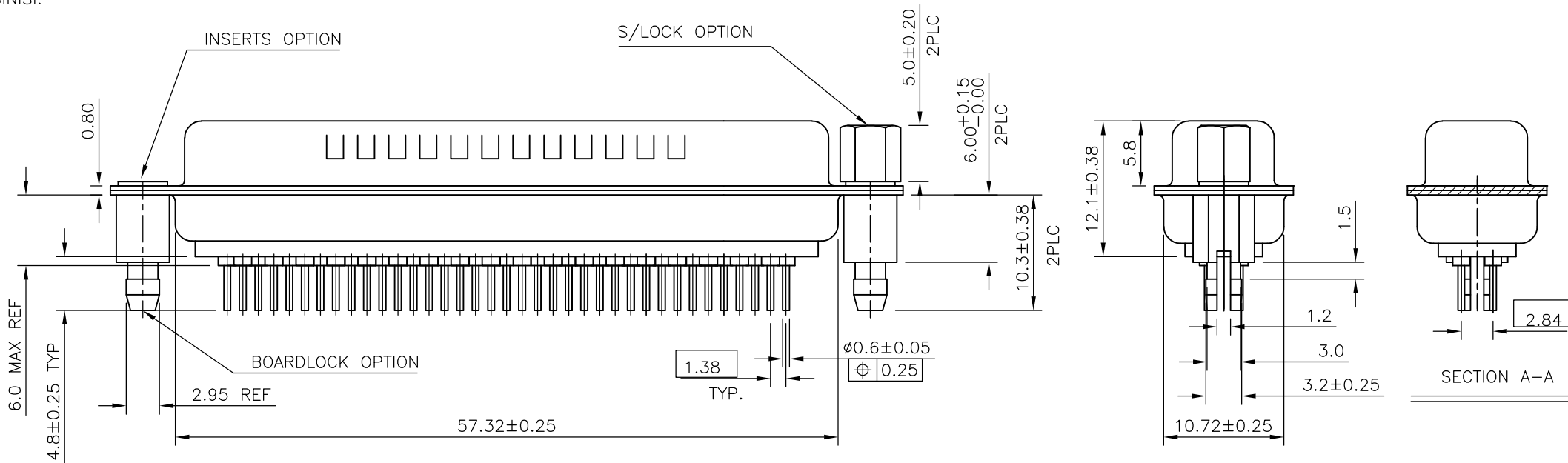
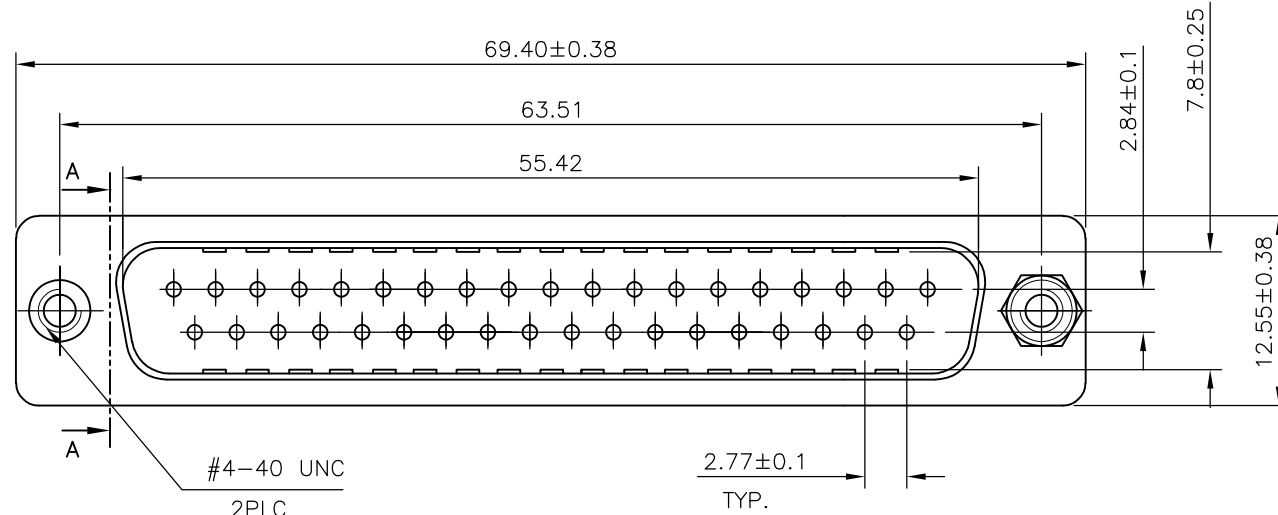
© COPYRIGHT 2003 By -

ALL RIGHTS RESERVED.

P	LTR	DESCRIPTION	DATE	DWN	APVD
	J	REVISED PER ECO-14-000651	06FEB2014	AP	SB

- 1 MATERIAL
 HOUSING : THERMOPLASTIC, UL94V-0, BLACK
 CONTACTS : BRASS.
 SHELL : STEEL
 SCREW : BRASS.
 BOARD LOCK : BRASS.
 SCREW OF TORQUE : 5 Kg-cm MAX.
- 2 FINISH
 CONTACT : 15µ" MIN.GOLD PLATING ON CONTACT AREA
 100µ" MIN. TIN PLATING ON SOLDER TAILS
 50µ" MIN. NICKEL UNDERPLATED OVERALL
 SHELL : 100µ" MIN NICKEL PLATING.
 SCREW : 50µ" MIN. NICKEL PLATING.
 BOARD LOCK : 50µ" MIN. NICKEL PLATING.
- 3 CHARACTERISTICS
 CURRENT RATING : 3A
 INSULATION RESISTANCE : 1000MOHMS MIN, 500VDC FOR 2MINS.
 TEMPERATURE RATING : -55DEGC ~ +105DEGC
 VOLTAGE RATING : 250VDC

4 OBSOLETE PARTS: OBSOLETE CIS STREAMLINING PER D.RENAUD/D.SINISI.



RECOMMENDED PCB LAYOUT(TOP VIEW)
(PCBTOLERANCE : ±0.05)

4	OBSOLETE	37W D PLG WITH B/L & M3 S/LOCK 15µ" GOLD	4-1634221-2
		37W D PLG WITH B/L & 4-40 S/LOCK 15µ" GOLD	3-1634221-2
4	OBSOLETE	37W D PLG WITH B/L & M3 INSERTS 15µ" GOLD	2-1634221-2
		37W D PLG WITH B/L & 4-40 INSERTS 15µ" GOLD	1-1634221-2
		DESCRIPTION	TE PART NO.

THIS DRAWING IS A CONTROLLED DOCUMENT.		DWN J.SANDWELL 10APR03	TE Connectivity	
DIMENSIONS: mm		CHK R.DYER 10APR03		
TOLERANCES UNLESS OTHERWISE SPECIFIED:		APVD F.WHEELER-KING 10APR03	NAME	
0 PLC ± -		PRODUCT SPEC	D-SUB HD20, VERTICAL, 37P PLUG CONNECTOR	
1 PLC ± 0.25		APPLICATION SPEC	SIZE	RESTRICTED TO
2 PLC ± 0.15			CAGE CODE	DRAWING NO
3 PLC ± -		WEIGHT	A300779	C-1634221
4 PLC ± -			SCALE	SHEET
ANGLES ± 3'			2:1	1 OF 2
FINISH			REV	J
MATERIAL		CUSTOMER DRAWING		

THIS DRAWING IS UNPUBLISHED.

RELEASED FOR PUBLICATION APR , 2003.

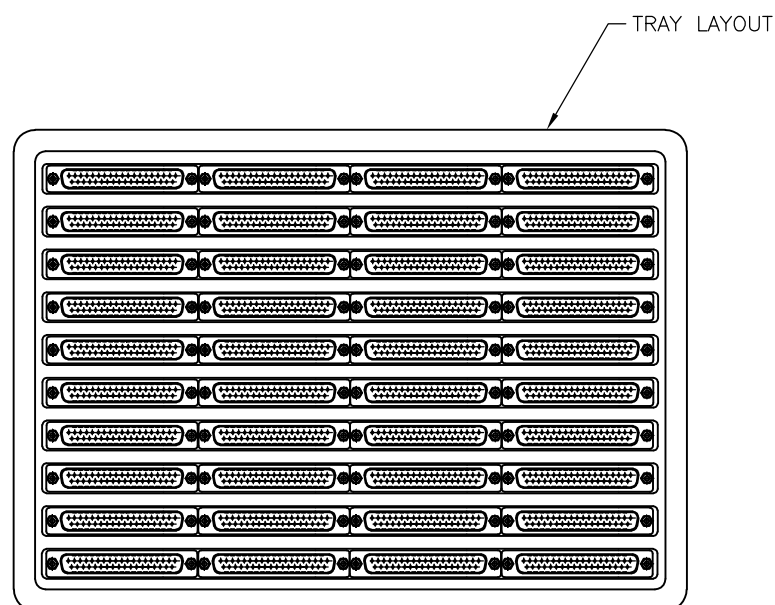
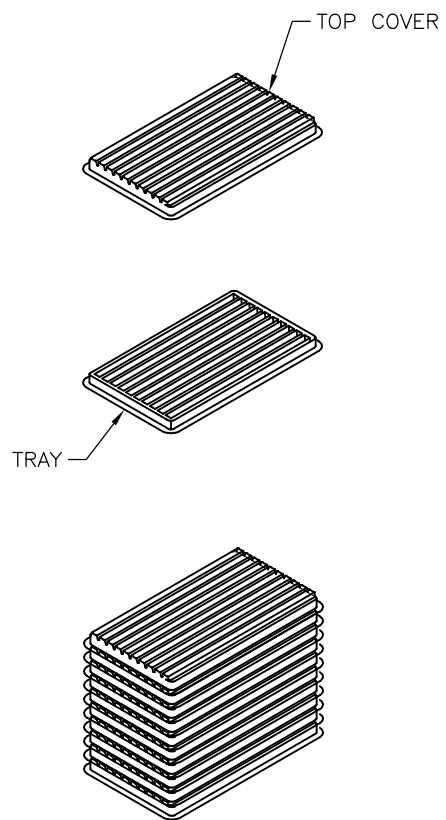
© COPYRIGHT 2003 By -

ALL RIGHTS RESERVED.

LOC GP DIST 00

REVISIONS

P	LTR	DESCRIPTION	DATE	DWN	APVD
-	-	SEE SHEET 1	-	-	-



MATERIAL

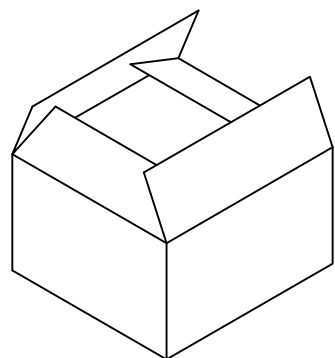
- 1 TRAY: PVC
- 2 SHIPPING CARTON: CORRUGATED FIBERBOARD

DIMENSIONS

- 1 TRAY: L=310, W=230, H=21
- 2 SHIPPING CARTON: L=330, W=245, H=160

QUANTITY

- 40 PCS/TRAY
- 10 TRAY/SHIPPING CARTON



THIS DRAWING IS A CONTROLLED DOCUMENT.		DWN J.SANDWELL 10APR03	STE TE Connectivity		
DIMENSIONS: mm		CHK R.DYER 10APR03			
TOLERANCES UNLESS OTHERWISE SPECIFIED:		APVD F.WHEELER-KING 10APR03	NAME D-SUB HD20, VERTICAL, 37P PLUG CONNECTOR		
0 PLC ± -		PRODUCT SPEC -	-		
1 PLC ± 0.25		APPLICATION SPEC -	SIZE A3	CAGE CODE 00779	DRAWING NO C-1634221
2 PLC ± 0.15		WEIGHT -	RESTRICTED TO -		
3 PLC ± -		CUSTOMER DRAWING	SCALE 2:1	SHEET 2 OF 2	REV J
4 PLC ± -					
ANGLES ± 3°					
MATERIAL -					
FINISH -					