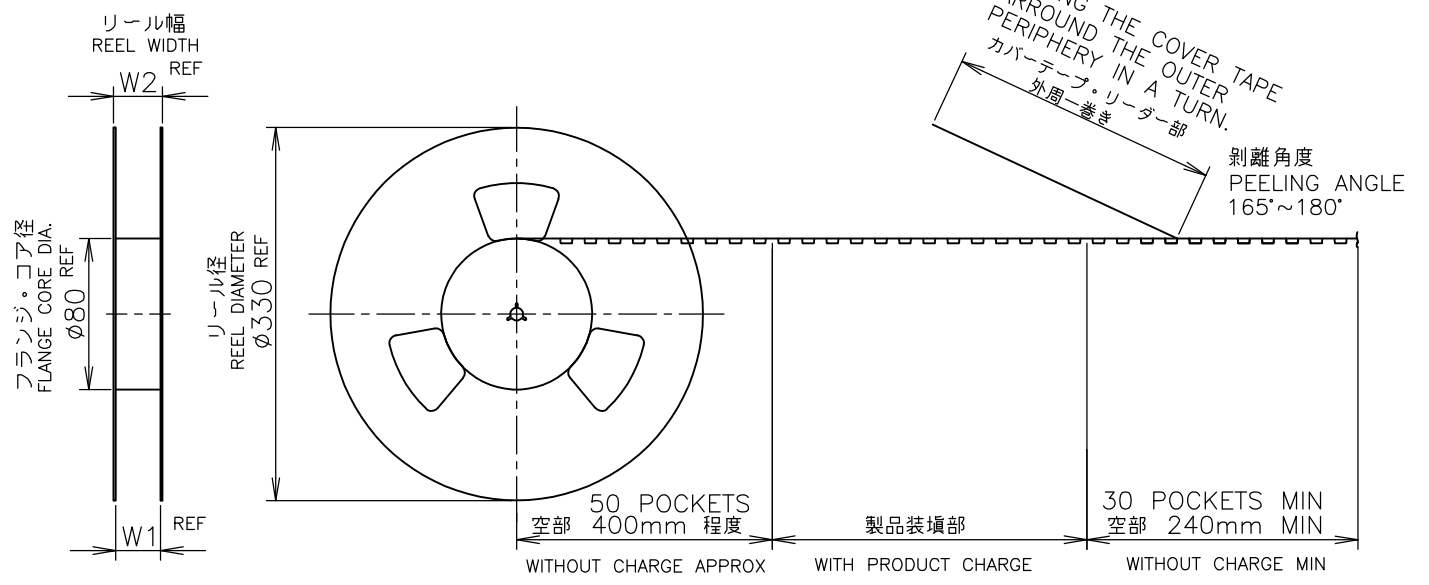
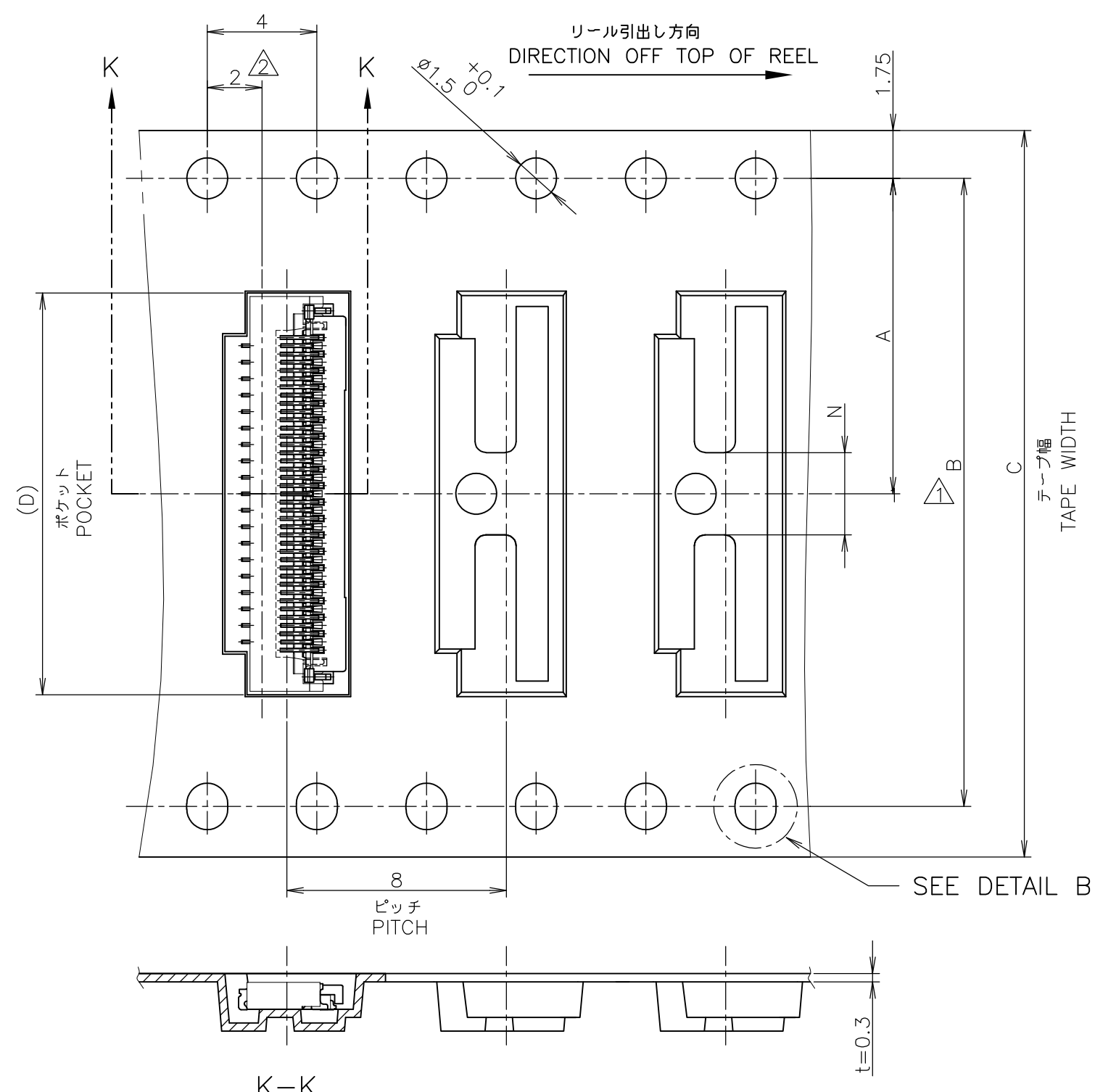
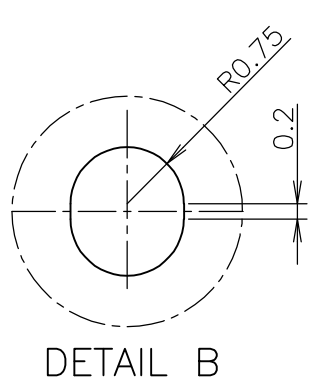


THIS DRAWING IS UNPUBLISHED. RELEASED FOR PUBLICATION MAR , 2004.
 © COPYRIGHT 2004 BY TYCO ELECTRONICS CORPORATION. ALL RIGHTS RESERVED.

LOC	DIST	REVISIONS					
		P	LTR	DESCRIPTION	DATE	DWN	APVD
J	/		C	REVISED ECR-07-029671	10DEC07	T.T	T.K



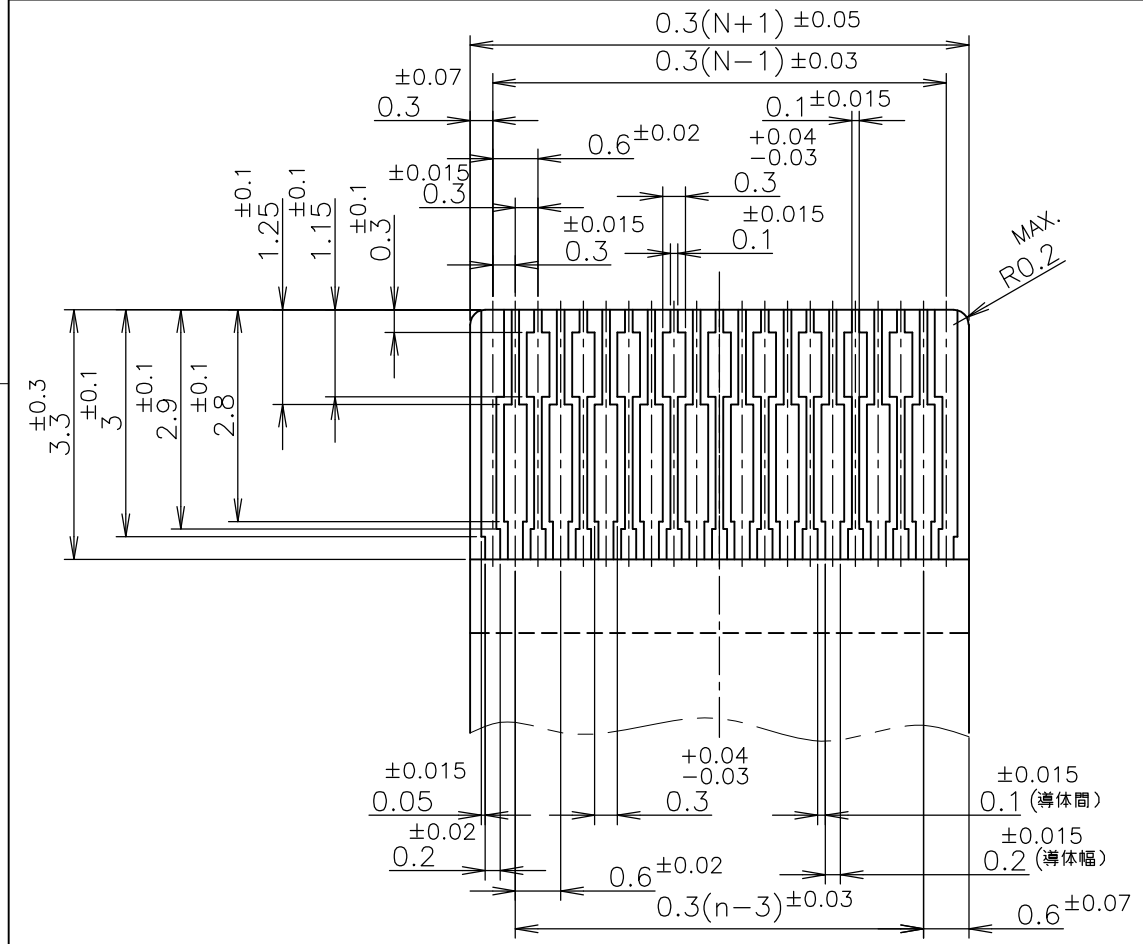
△ B寸法はテープ幅 32mm 以上に適用
 △ コンネクタ吸着面のセンターライン
 △ DIM. B APPLIED TAPE WIDE, 32mm MORE.
 △ CENTER LINE OF CONNECTOR ADSORPTION SURFACE.



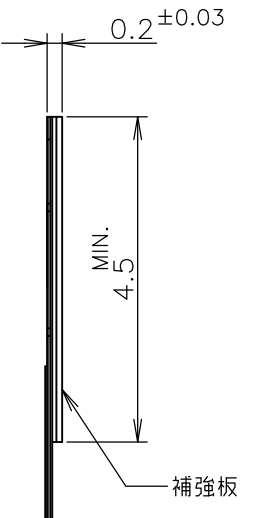
THIS DRAWING IS A CONTROLLED DOCUMENT.		DWN Y.SHINO 11NOV05	Tyco Electronics AMP K.K. Kawasaki, Japan	
DIMENSIONS: 単位: 耗 mm		CHK M.IWASAKI 11NOV05	NAME 名称	
TOLERANCES UNLESS OTHERWISE SPECIFIED: 一般公差		APVD T.KUSUHARA 11NOV05	0.3mm FPC CONNECTOR FLIP LOCK TYPE, HEIGHT 1.0mm GOLD PLATE VERSION	
0 PLC ± 0.3 1 PLC ± 0.3 2 PLC ± 0.3 3 PLC ± 0.3 4 PLC ANGLES ± 5'		PRODUCT SPEC 製品規格 108-5944	SIZE A3	CAGE CODE 00779
MATERIAL 材料		APPLICATION SPEC 取付適用規格	DRAWING NO 番号 G-1746237	RESTRICTED TO
FINISH 仕上		WEIGHT	SCALE 尺度 NTS	SHEET 1 OF 3
		CUSTOMER DRAWING	REV C	

THIS DRAWING IS UNPUBLISHED. RELEASED FOR PUBLICATION MAR ,2004.
 © COPYRIGHT 2004 BY TYCO ELECTRONICS CORPORATION. ALL RIGHTS RESERVED.

LOC	DIST	REVISIONS		
J	/	P	LTR	DESCRIPTION
				DATE
				DWN
				APVD
		SEE SHEET 1		



参考FPCレイアウト
 REFERENCE LAYOUT
 (SCALE 10:1)



NOT AVAILABLE	-	39.5	33.5	16.55	15	15.68	18	14.4	18.25	32	28.4	14.2	4000	51	2-1746237-1
AVAILABLE	-	30.4	25.5	14.75	13.2	13.88	16.2	12.6	16.45	24	/	11.5	4000	45	1-1746237-8
AVAILABLE	2.5	30.4	25.5	12.95	11.4	12.08	14.4	10.8	14.65	24	/	11.5	4000	39	1-1746237-5
NOT AVAILABLE	-	30.4	25.5	12.35	10.8	11.48	13.8	10.2	14.05	24	/	11.5	4000	37	1-1746237-4
AVAILABLE	2.5	30.4	25.5	11.75	10.2	10.88	13.2	9.6	13.45	24	/	11.5	4000	35	1-1746237-3
AVAILABLE	3	30.4	25.5	11.15	9.6	10.28	12.6	9	12.85	24	/	11.5	4000	33	1-1746237-2
NOT AVAILABLE	-	30.4	25.5	10.55	9	9.68	12	8.4	12.25	24	/	11.5	4000	31	1-1746237-1
AVAILABLE	-	30.4	25.5	9.95	8.4	9.08	11.4	7.8	11.65	24	/	11.5	4000	29	1-1746237-0
AVAILABLE	2.5	30.4	25.5	9.35	7.8	8.48	10.8	7.2	11.05	24	/	11.5	4000	27	1746237-9
NOT AVAILABLE	-	23.5	17.5	8.75	7.2	7.88	10.2	6.6	10.45	16	/	7.5	4000	25	1746237-8
AVAILABLE	3	23.5	17.5	8.15	6.6	7.28	9.6	6	9.85	16	/	7.5	4000	23	1746237-7
NOT AVAILABLE	-	23.5	17.5	7.55	6	6.68	9	5.4	9.25	16	/	7.5	4000	21	1746237-6
NOT AVAILABLE	-	23.5	17.5	6.95	5.4	6.08	8.4	4.8	8.65	16	/	7.5	4000	19	1746237-5
NOT AVAILABLE	-	23.5	17.5	6.35	4.8	5.48	7.8	4.2	8.05	16	/	7.5	4000	17	1746237-4
NOT AVAILABLE	-	19.5	13.5	5.75	4.2	4.88	7.2	3.6	7.45	12	/	5.5	4000	15	1746237-3
NOT AVAILABLE	-	19.5	13.5	5.15	3.6	4.28	6.6	3	6.85	12	/	5.5	4000	13	1746237-2
NOT AVAILABLE	-	19.5	13.5	4.55	3	3.68	6	2.4	6.25	12	/	5.5	4000	11	1746237-1

TOOLING STATUS	N	W2	W1	J	H	G	F	E	D	C	B	A	数量(ヶ)	POS.	PART NUMBER
	DIMENSIONS												QTY/REEL		

THIS DRAWING IS A CONTROLLED DOCUMENT.

DWN _____
 CHK _____
 APVD _____

Tyco Electronics Tyco Electronics AMP K.K.
 Kawasaki, Japan

NAME 名称: 0.3mm FPC CONNECTOR
 FLIP LOCK TYPE, HEIGHT 1.0mm
 GOLD PLATE VERSION

PRODUCT SPEC 製品規格
 APPLICATION SPEC 取付適用規格

SIZE: A3 CAGE CODE: 00779 DRAWING NO: 1746237 RESTRICTED TO: _____

MATERIAL 材料: _____ FINISH 仕上: _____ WEIGHT: _____

CUSTOMER DRAWING SCALE 尺度: NTS SHEET 3 OF 3 REV C