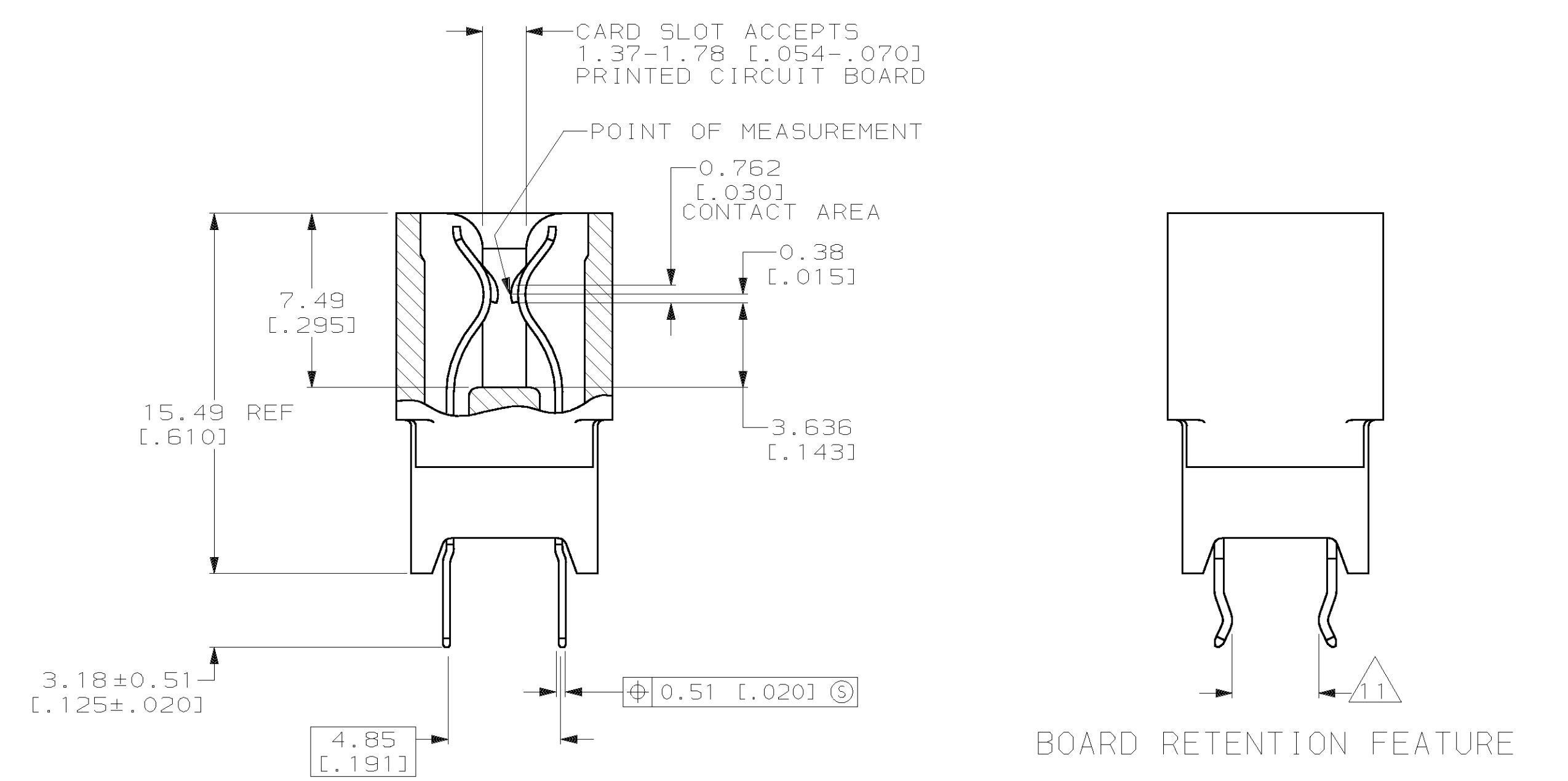
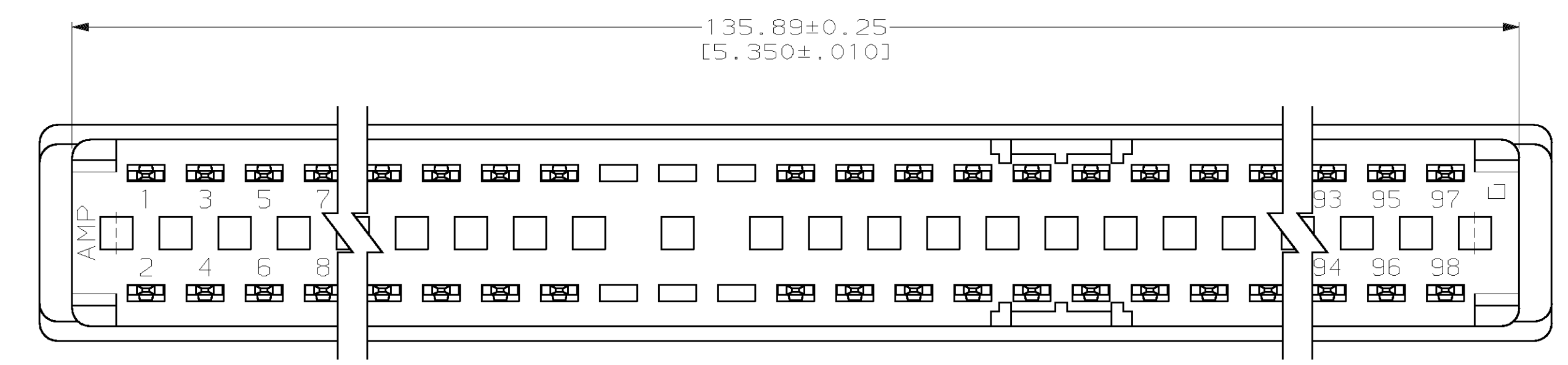
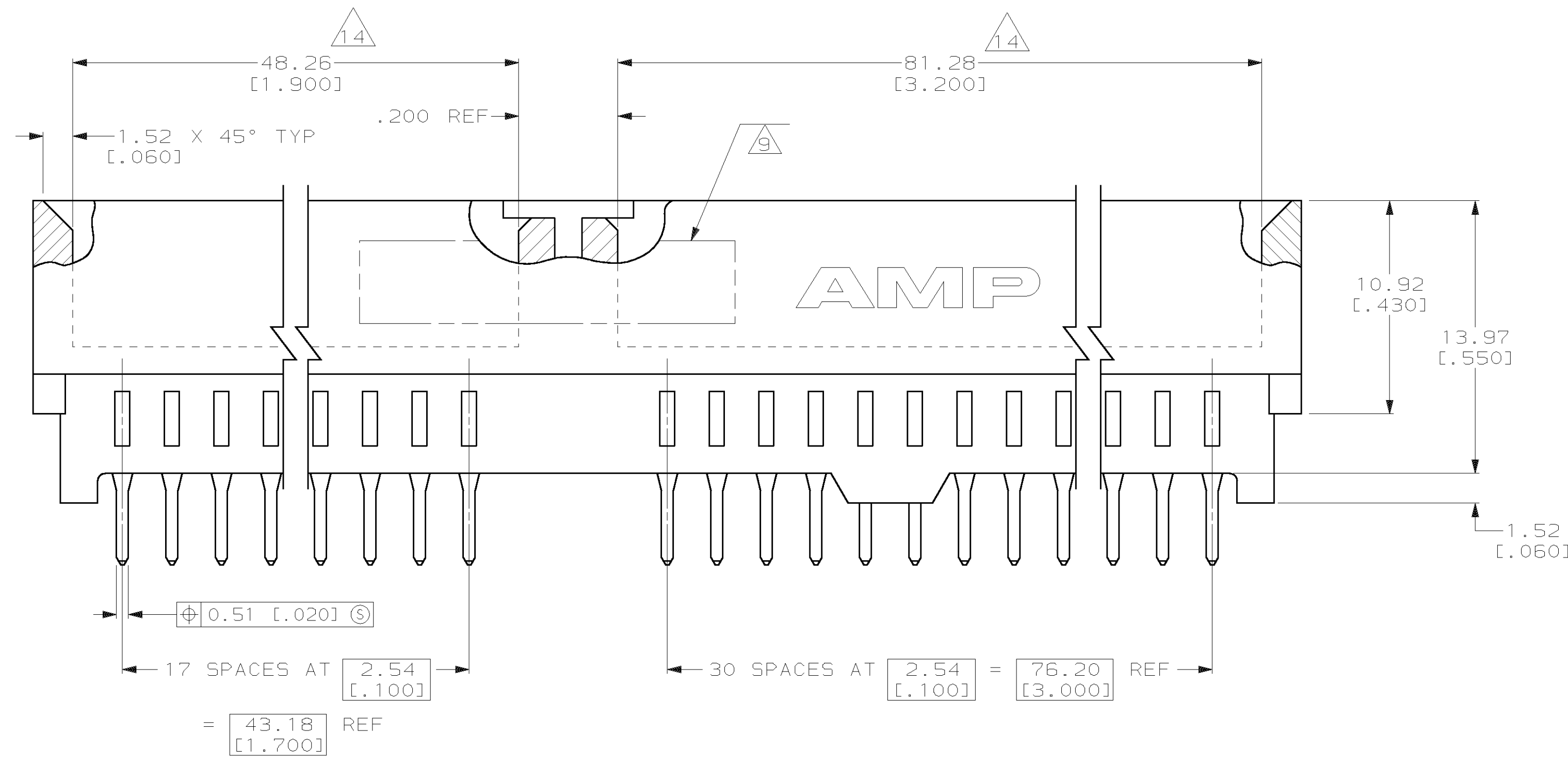
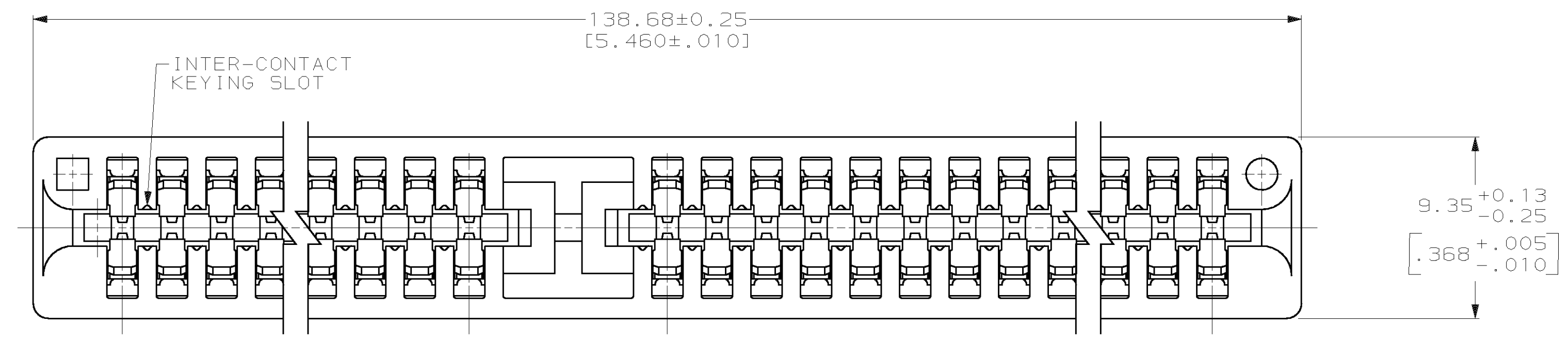
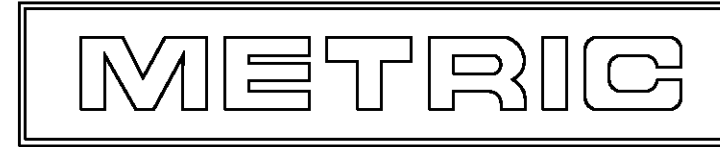


| LOC | DIST | P | F | ZONE | LTR | DESCRIPTION | DATE | APPR |
|-----|------|---|---|------|-----|--------------------------|----------|-------|
| AD | 14 | | | | S | REVISED PER 0651-0024-98 | 6/10/98 | RB AV |
| | | | | | T | REVISED PER 0651-0019-99 | 04MAR99 | RB JP |
| | | | | | U | REV PER EC 0652-0059-99 | 04/10/99 | MM JP |

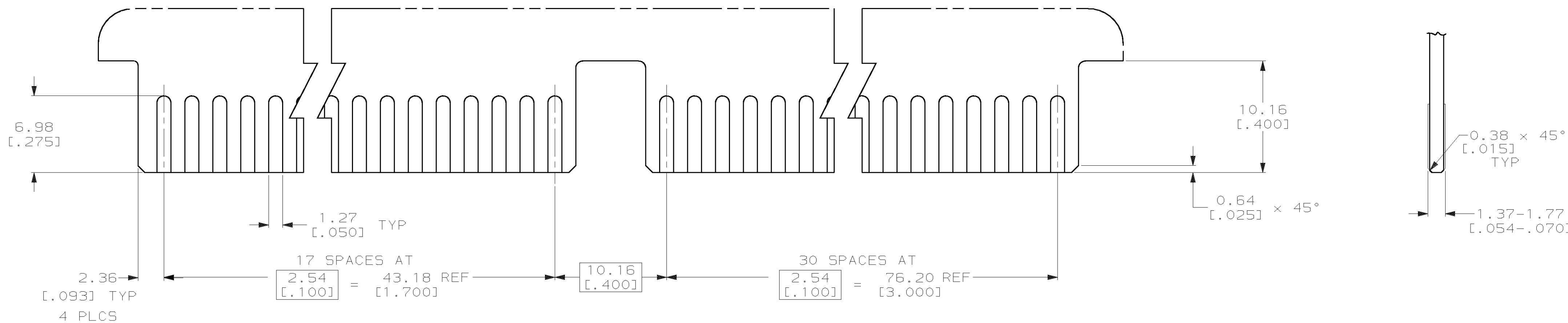


| | | | | |
|----------|--------------------------------|----------------|------------|-------------|
| OBSOLETE | (5, 6, 31, 32, 41, 42, 93, 94) | (1) | 49 | 176139-8 |
| OBSOLETE | (5, 6, 31, 32, 41, 42, 93, 94) | (2) | 49 | 176139-8 |
| OBSOLETE | | | | |
| OBSOLETE | | | 49 | 176139-6 |
| | - | (6) | 49 | 176139-5 |
| | - | (5) | 49 | 176139-4 |
| | 5, 6, 31, 32, 41, 42, 93, 94 | (7) | 49 | 176139-3 |
| | 5, 6, 31, 32, 41, 42, 93, 94 | (6) | 49 | 176139-2 |
| | 5, 6, 31, 32, 41, 42, 93, 94 | (5) | 49 | 176139-1 |
| | BOARD RETENTION LOCATION | FINISH (3/4/8) | NO OF POSN | PART NUMBER |

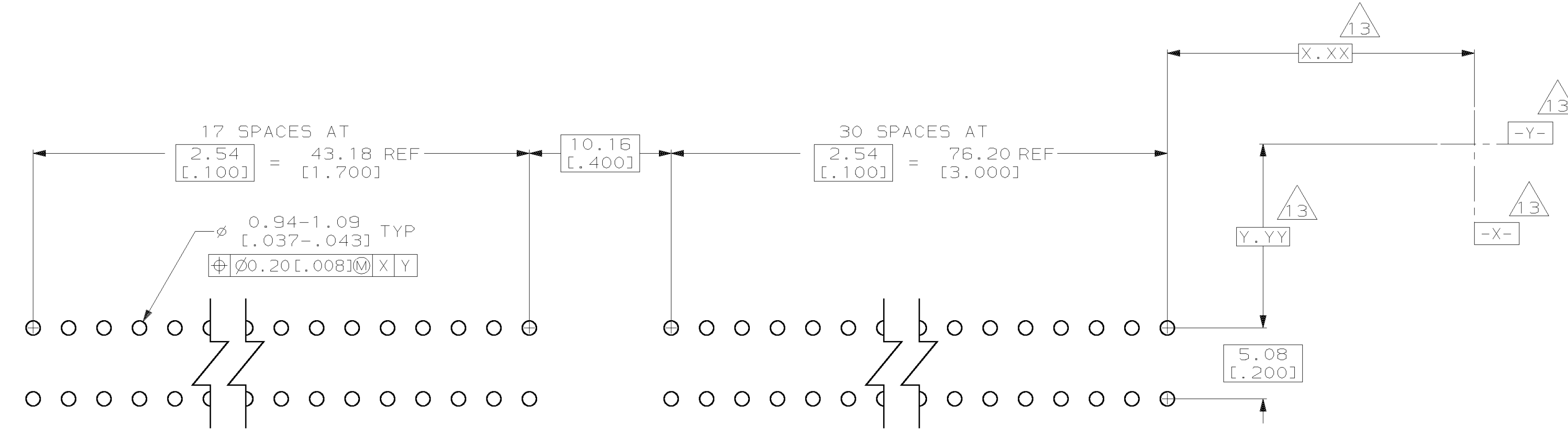
| | | | | |
|--|---|--|--------------|--|
| DO NOT SCALE PRINT. UNLESS SPECIFIED DIMENSIONS IN mm [INCHES] TOLERANCES ON: 2 PLC DEC ± 0.13 [0.005] 3 PLC DEC ± - ANGLES ± - | DR 7/30/97 R BROWN CHK 7/30/97 M PAVLOVICH APPD 7/30/97 M PAVLOVICH | AMP AMP Incorporated Harrisburg, PA 17105-3608 NAME CONNECTOR ASSY, EDGE CARD, 2.54 [0.100] ⌀ | | |
| MATERIAL HOUSING: (1) CONTACT: (2) | APPD 7/30/97 D SARVER PRODUCT SPEC 108-1248 | | | |
| FINISH CONTACT: (3) (4) (5) (6) (7) (8) | APPLICATION SPEC - WEIGHT - | SIZE (D) CAGE CODE 00779 DRAWING NO 176139 SCALE 5:1 | SHEET 1 OF 2 | |



| LOC | DIST | P | F | ZONE | LTR | DESCRIPTION | DATE | APPD |
|-----|------|---|---|------|-----|---------------|------|------|
| AD | 14 | | | | | U SEE SHEET 1 | | |



RECOMMENDED CONNECTOR P.C. BOARD PAD LAYOUT



RECOMMENDED CONNECTOR P.C. BOARD HOLE PATTERN

- 1 HOUSING: GLASS FILLED POLYESTER; COLOR: BLACK.
- 2 CONTACT: PHOSPHOR BRONZE.
- 3 NICKEL PLATE: 0.00127 [0.00050] MIN - ALL OVER.
- 4 TIN-LEAD PLATE: 0.00254 [0.00100] MIN - SOLDER POSTS.
- 5 GOLD FLASH IN CONTACT AREA.
- 6 GOLD PLATE: 0.00038 [0.00015] MIN - CONTACT AREA.
- 7 GOLD PLATE: 0.00076 [0.00030] MIN - CONTACT AREA.
- 8 NICKEL PLATE PER MIL-G-45204. GOLD PLATE PER QQ-N-290.
- 9 AMP, CSA LOGO, PART NUMBER AND DATE CODE ARE MARKED IN APPROXIMATE AREA SHOWN, EITHER SIDE.
- 10. RECOMMENDED PCB FINISHED HOLE DIA: 1.02±0.08 [0.040±.003].
- 11. THE RETENTIVE FEATURE OF THIS CONNECTOR IS DESIGNED FOR FULL SEATING IN .062±.008 THICK CIRCUIT BOARDS. FOR APPLICATIONS IN BOARDS OF OTHER THICKNESSES CONTACT AMP INCORPORATED.
- 12 PACKAGE 20 CONNECTOR PER GANG OF TUBE.
- 13 DATUMS AND BASIC DIMENSIONS TO BE DETERMINED BY CUSTOMER.
- 14 CARD SLOT DIMENSION.

| | | | | |
|--|--|--|--------------------|----------------------|
| DO NOT SCALE PRINT. UNLESS SPECIFIED DIMENSIONS IN mm [INCHES] TOLERANCES ON: 2 PLC DEC ± .13 [0.05] 3 PLC DEC ± - ANGLES ± - | DR 7/30/97 R BROWN CHK 7/30/97 M PAVLOVICH APPD 7/30/97 M PAVLOVICH APPD 7/30/97 D SARVER | AMP Incorporated Harrisburg, PA 17105-3608 | | |
| MATERIAL SEE SHEET 1 | PRODUCT SPEC 108-1248 | NAME CONNECTOR ASSY, EDGE CARD, 2.54 [0.100] □ | | |
| FINISH SEE SHEET 1 | APPLICATION SPEC - | SIZE D | CAGE CODE 00779 | DRAWING NO 176139 |
| | WEIGHT - | SCALE 4:1 | SHEET 2 OF 2 | |

