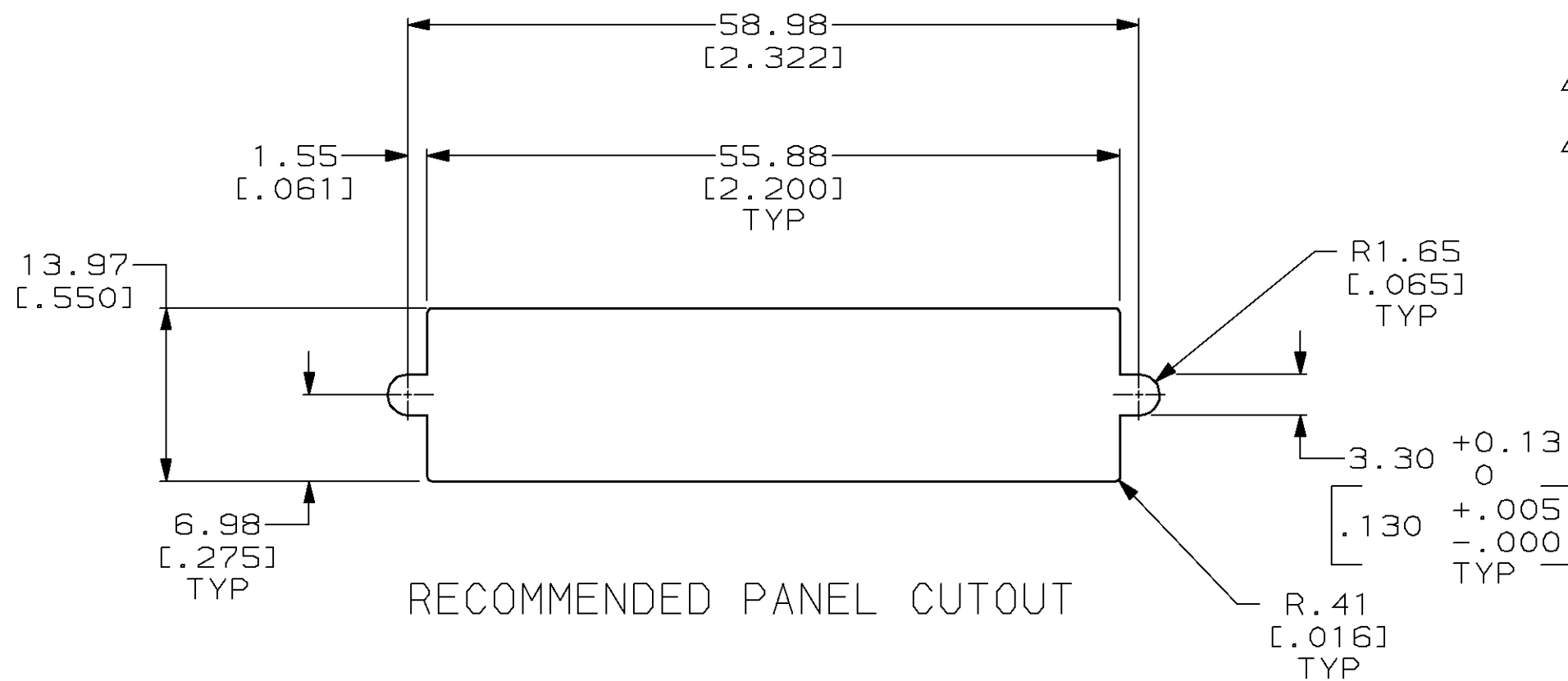
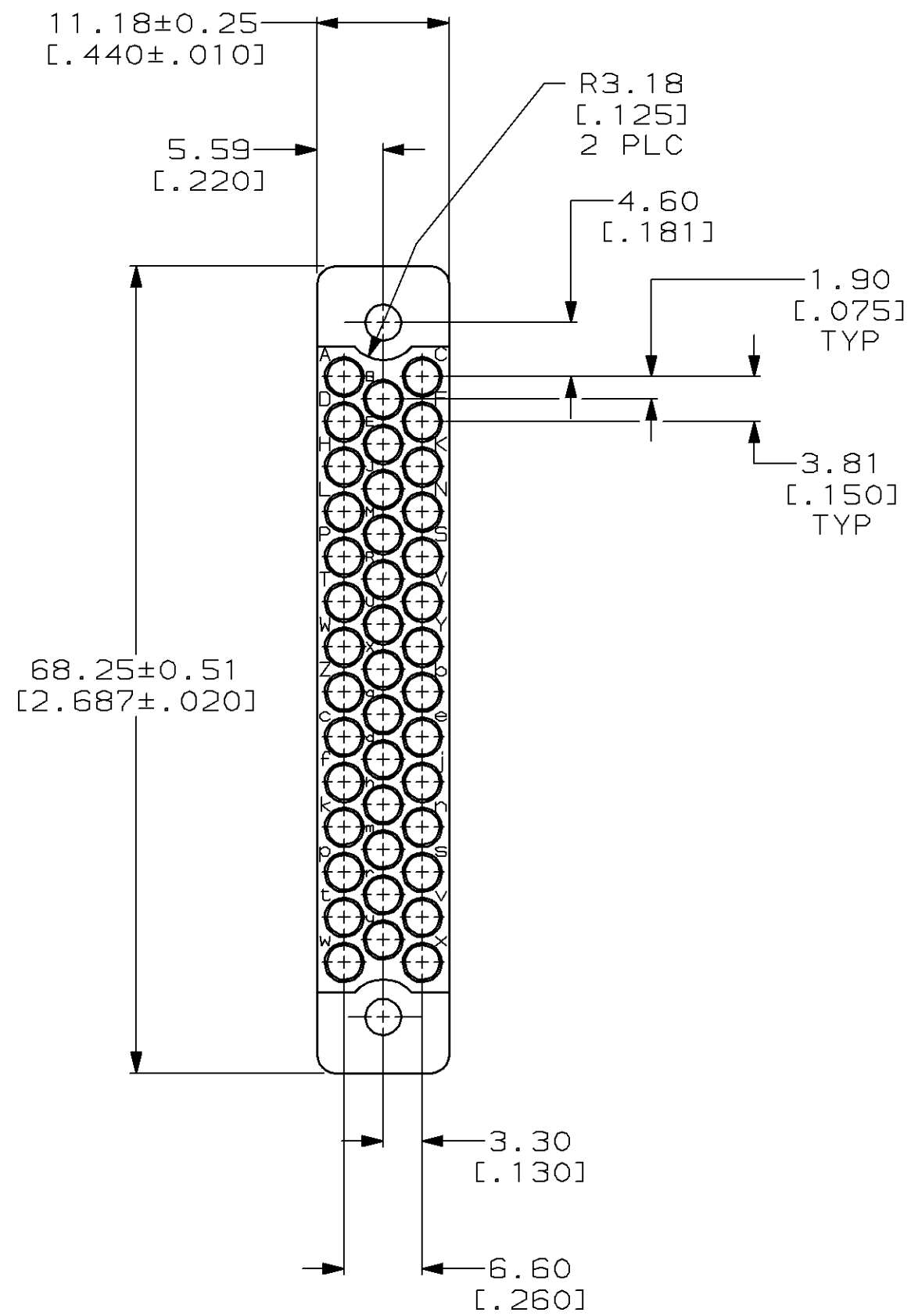
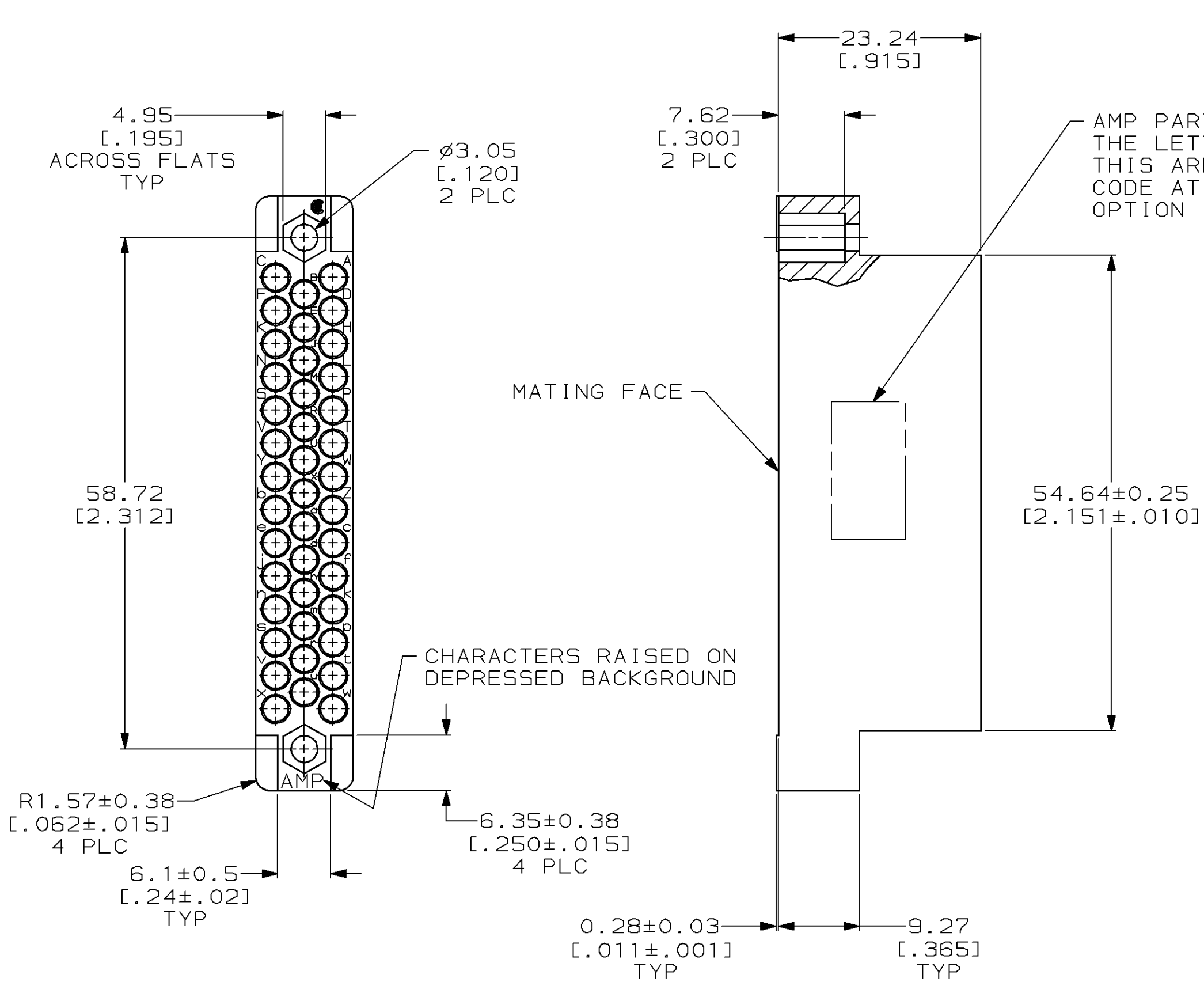


THIS DRAWING IS UNPUBLISHED. RELEASED FOR PUBLICATION
 BY AMP INCORPORATED. ALL RIGHTS RESERVED.

Loc		DIST		REVISIONS			
P	LTR	DESCRIPTION	DATE	DWN	APVD		
	L	REDRAWN W/O CHANGE PER EC 0020-1299-95	19 FEB 96	-	-		
	M	REV PER EC 0320-82-97	14 AUG 97	BC	GS		



- 1 PHENOLIC, BLACK, PER MIL-M-14, TYPE CFG.
- 2 DIALLYL PHTHALATE, BLUE, PER MIL-M-14, TYPE SDG-F.
- 3. ACCOMODATES 41 #16 TYPE II OR TYPE III PIN CONTACTS OR SOCKET CONTACTS.
- 4. MATES WITH 201302.

2	202135-4
1	202135-2
MATERIAL	PART NUMBER

THIS DRAWING IS A CONTROLLED DOCUMENT FOR AMP INCORPORATED. IT IS SUBJECT TO CHANGE AND THE CONTROLLING ENGINEERING ORGANIZATION SHOULD BE CONTACTED FOR THE LATEST REVISION.		DWN 19 FEB 96 CHK 13 MAR 96 APVD 25 JUN 96	AMP Incorporated Harrisburg, PA 17105-3608	
DIMENSIONS: mm [INCHES]		NAME G.A. STEINHAUER		PRODUCT SPEC -
TOLERANCES UNLESS OTHERWISE SPECIFIED: 0 PLC ±- 1 PLC ±- 2 PLC ±0.13 [.005] 3 PLC ±- 4 PLC ±- ANGLES ±- FINISH -		APPLICATION SPEC -		WEIGHT -
MATERIAL SEE TABLE		CUSTOMER DRAWING		SCALE 2:1 SHEET 1 OF 1 REV M
		AMP		MALE BLOCK, DEEP, 41 POSITION, M SERIES
		SIZE A2 CAGE CODE 00779 DRAWING NO C-202135		

202135